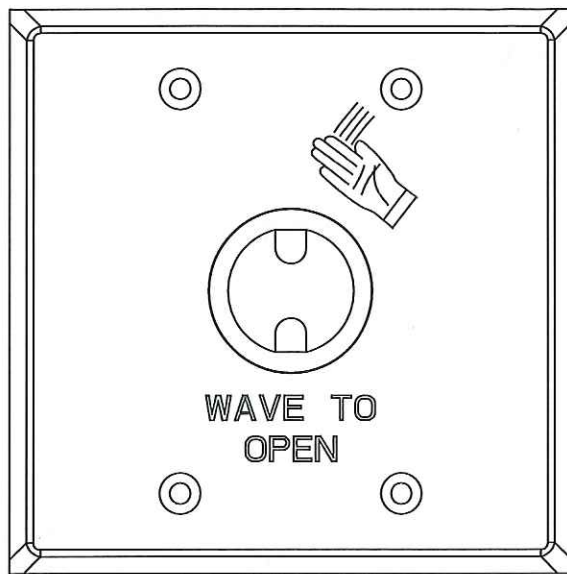
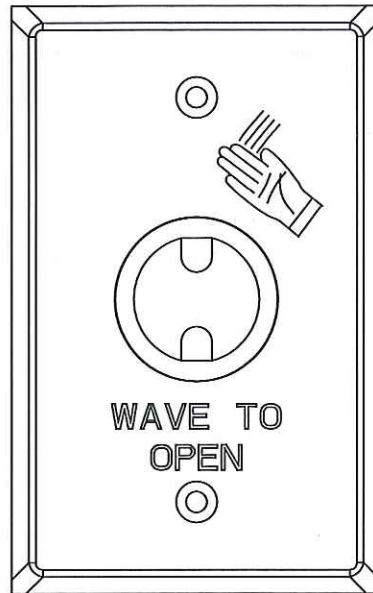


**INSTALLATION INSTRUCTIONS
WAVE TO OPEN SWITCH
MODEL 700
80-9375-0001-020 REV-2 (8/16)**

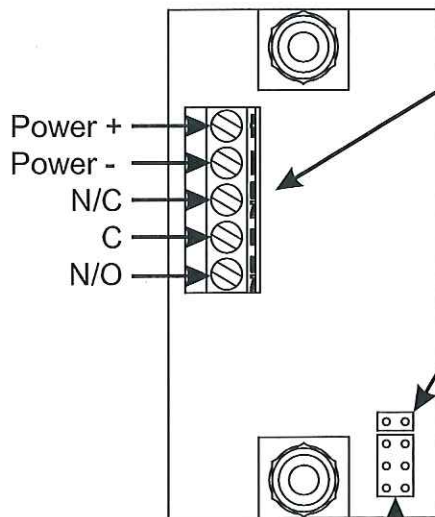
Norton®
ASSA ABLOY



DOUBLE GANG



SINGLE GANG



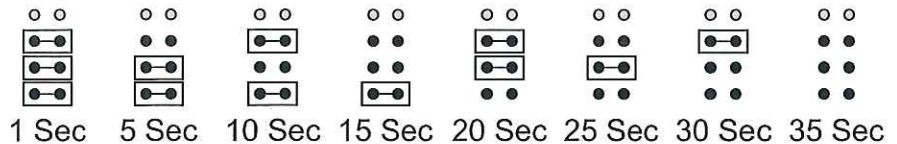
To ensure proper wire connection, loosen the screws fully and note the silver contact is all the way down. Insert the wires and tighten the screws to secure the wires.

LED Jumper setting:

Jumper in Place -
 ○ ○ LED lights steady RED,
 ○ ○ flashes GREEN when relay is active.

● ● NO Jumper in Place -
 ○ ○ LED lights steady GREEN,
 ○ ○ flashes RED when relay is active.

Time Delay Selection Jumpers

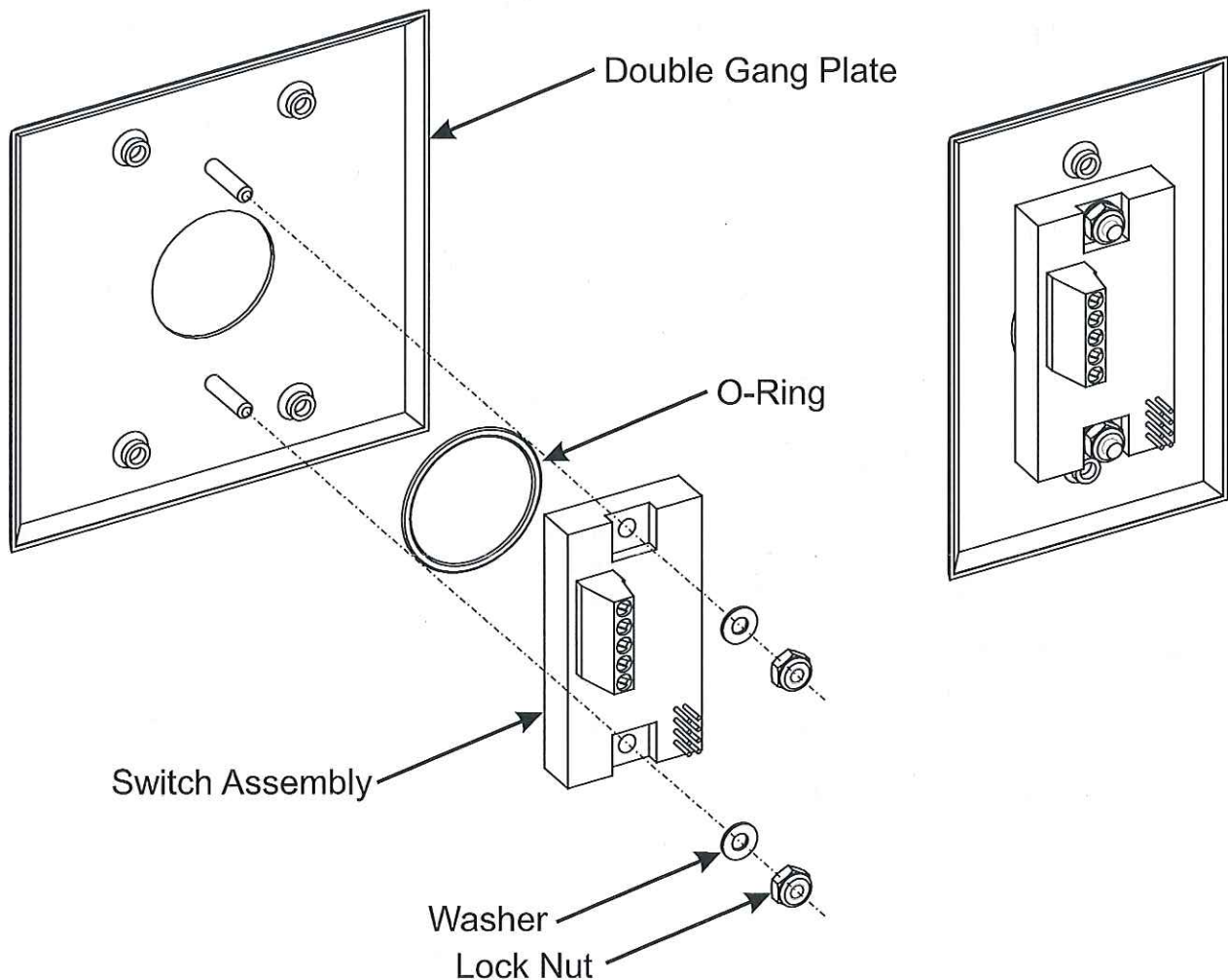


Operation:

To operate the switch, make a slow waving motion with your hand within 4 inches of the front of the plate. A tone will sound and the circle will flash to indicate that the relay has been activated. The relay will activate for the amount of time as set by the time delay jumpers.

To change plate from DOUBLE GANG to SINGLE GANG:

1. Remove the lock nut and washer from the back of the switch.
2. Remove the switch assembly and O-ring from the Double Gang plate.
3. Reassemble the O-ring and switch assembly on the Single Gang plate.
4. Reassemble the washer and lock nut to secure switch assembly to Single Gang plate.



Specifications:

Input Voltage: 12-24 VDC

SPDT Contact Rating: 2A @30V AC or DC

Sensor Detection Range: Up to 4 inches

Operating Temperature: -25°C to 55°C

Current Draw: 50mA @12VDC, 65mA @24VDC

Contact Info:

Norton Door Controls
3000 Highway 74 East
Monroe, NC 28112
Tel: 800.438.1951