

WELDEX

IP CAMERAS

Tel:+1 (714) 761-2100 [USA]
Fax:+1 (714) 761-3811 [USA]
Tel:+49 (89) 96056870 [GER]
Fax:+49 (89) 96056872 [GER]

6751 Katella Avenue, Cypress, CA 90630 [USA]
Carl-Zeiss-Ring 13 85737 Ismaning, Germany [GER]

/ CONTENTS

>Key to Word<

Features

CAM Camera

Analog Analog Camera

Function

690TV Resolution

DAY NIGHT Day/Night

1.20₄₈ Wide Dynamic Range (Max)

2Meg 2 Megapixel IP Network Camera

Electrical

12V Power Source
-DC12V / AC24V

P/D Power dual

**-10~
+50** Operating Temperature

**0.3
Lux** Minimum Illumination

**Multi
volt** Power over Ethernet (PoE)
-For IP Camera only

Protection

48dB S/N ratio

IP69K IP rating

IP CAMERAS

WDP-17S05MF IP Miniature	3
WDP-4602MXV / WDP-4608MXV IP Height Strip	5
WDP-84ML2M IP Mullion	7
WDP-82FD2M IP Covert FDIC	9
WDP-18TW2M IP Teller Tower	11
WDD-4399HD / WDD-4399HDN IP Mini-Domes	13
WDD-5499HD / WDD-5499HDN IP Vari-Focal	15
WDP-88BT2M Bullet Camera	17
WDAC-5799HD Box Camera	19



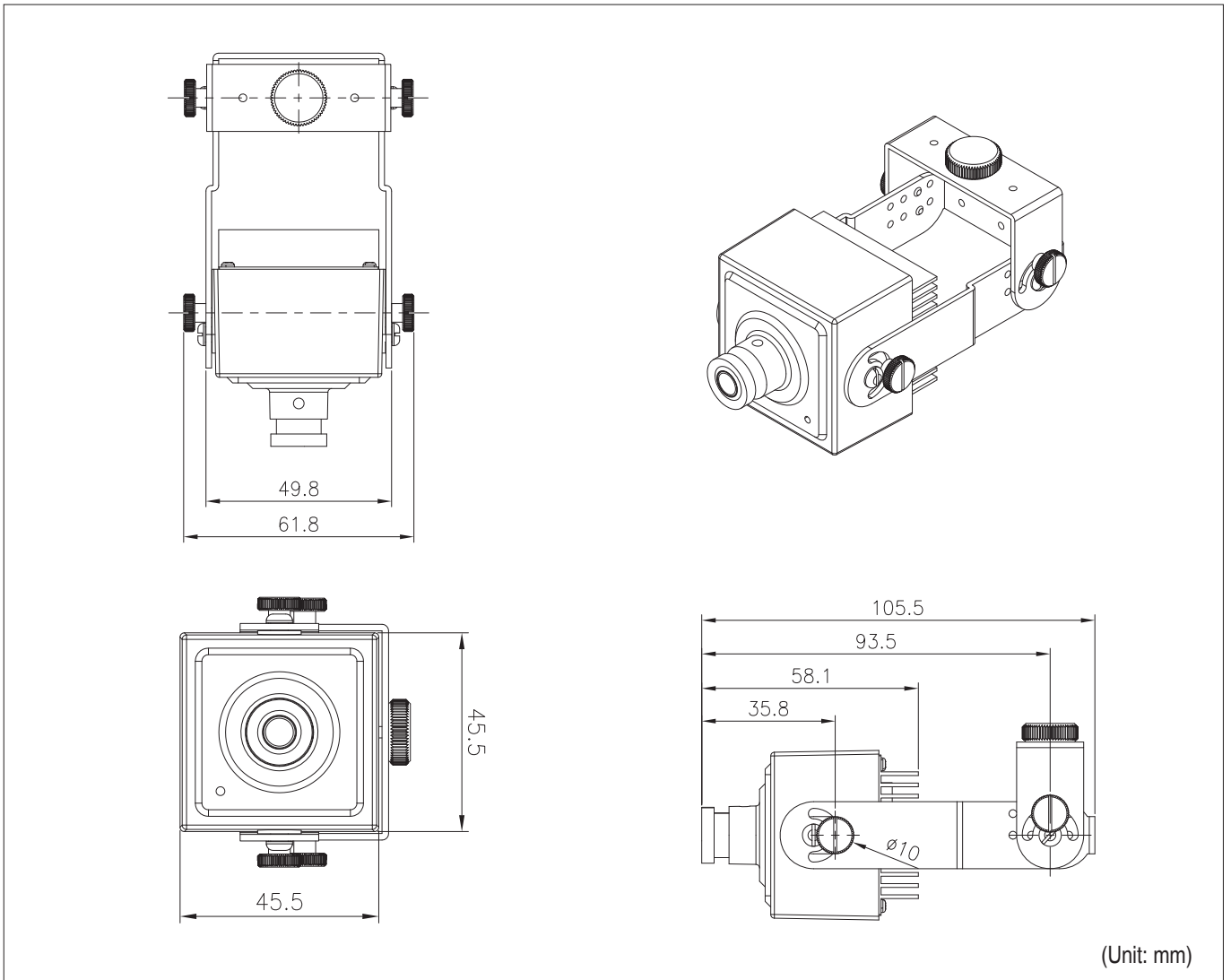
IP Network Cameras :Miniature

- Wide dynamic range
- High resolution (690HTVL-E)
- Progressive scan
- High sensitivity
- Noise reduction
- 8 VDC ~ 28 VDC
- Power over ethernet
- ONVIF profile S supported

Specification

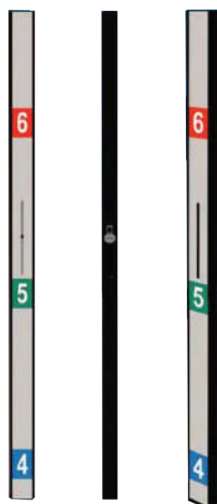
Camera	Pick-up device	Omni-vision OV10635 1/2.7 inch CMOS WXGA HD Image Sensor
	Effective picture elements	1280(H) x 800(V) pixels
	Scan mode	Progressive
	Shutter	Rolling shutter
	Sensitivity	3650mV / Lux-sec
	Dynamic range	115dB
	Mirror & flip function	Yes
	Noise reduction	Yes
Video	Lens	3mega 3.7mm F1.8 lens
	Compression	H.264@HP, MJPEG
	Resolution	640x480, 800x480, 800x600, 1280x720
	Frame rate	30fps
Network	Interface	10 / 100 Mbps Ethernet, RJ-45
	Protocols	TCP/IP, IPv4, IPv6, HTTP, HTTPS, UPnP, RTP/RTSP, SMTP, FTP, DHCP, NTP, DNS, DDNS, SNMP, Bonjour
	ONVIF	Support
Event	User	8 Clients monitoring at the same time
	Motion detection	ON / OFF (3 Zone)
	Sensor & Alarm	1 NO / NC input & 1 Active low output
Security	Notifications	Event notification using SMTP, FTP
	Security	Multi-level user access with password protection IP address filtering HTTPS encrypted data transmission
System	Power supply	8~28 VDC, PoE (IEEE 802.3af)
	Power consumption	Max 3.5 Watt
	Operating temperature	14°F ~ +140°F (-10°C ~ 60°C)
	Dimension	45mm(H) X 45mm(V) X 50mm(L)

Dimension



IP Network Cameras

Model: WDP-4602MXV/4608MXV



IP Network Cameras :Height Strip

- 2Megapixel full HD IP height strip camera
 - Up to 30fps@1080p (H.264)
 - Progressive scan
 - Dual streaming (H.264 & MJPEG)
 - Power over ethernet
 - Covert design
 - ONVIF profile S supported
- WDP-4602MXV - Full Size Height Strip
 - WDP-4608MXV - 8" Miniature Height Strip

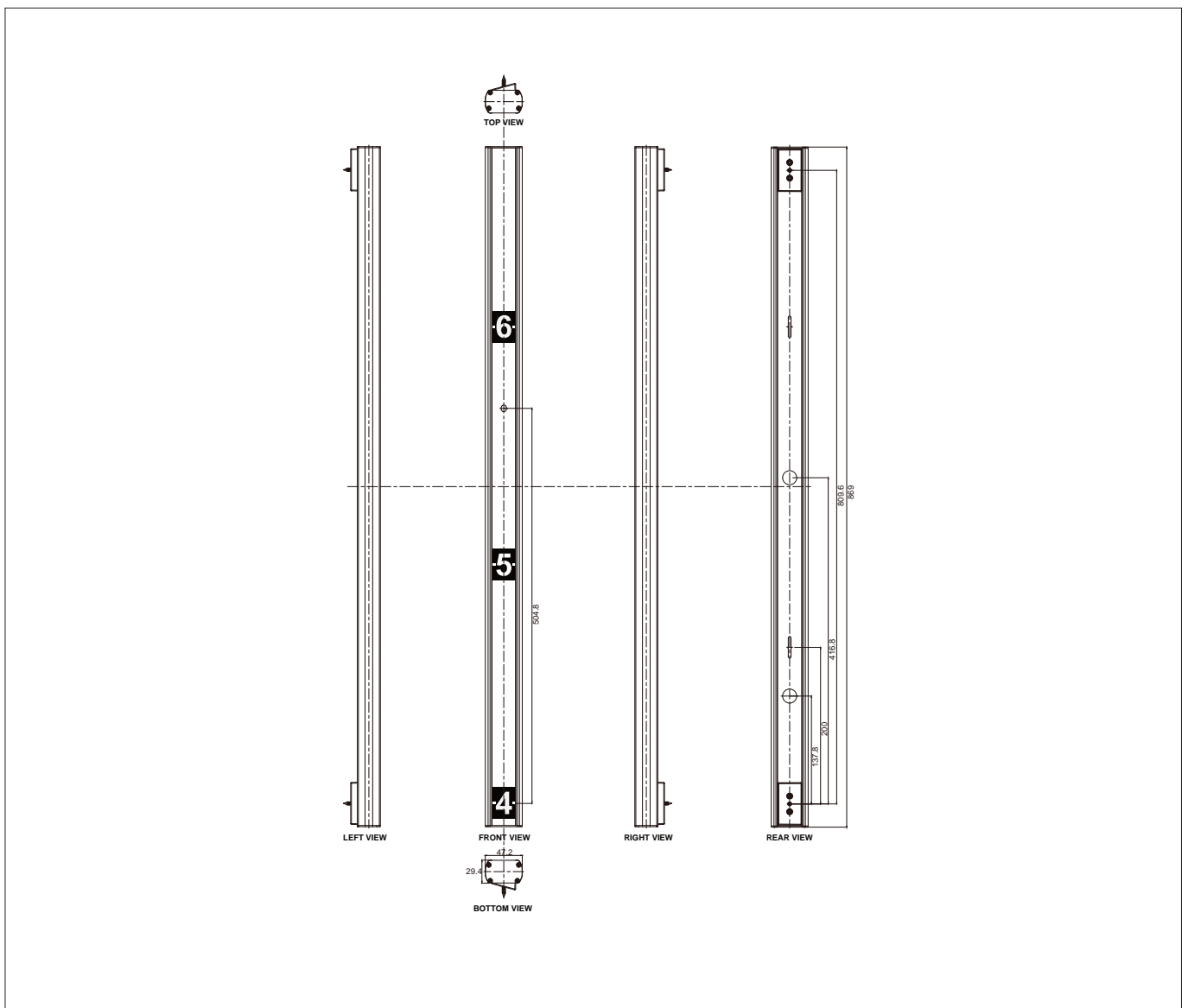
Specification

Camera	Image sensor	SONY IMX 122 1/3" 2.1Megapixel CMOS	
	Scanning system	Progressive scan	
	Lens	2.9mm fixed lens	
	Electronic shutter speed	Auto / Flx;NTSC: 1/30 ~ 1/50,000sec PAL: 1/25 ~ 1/50,000sec	
	White balance	AWB / manual / indoor / outdoor	
	Backlight compensation	BLC / HLC / Off	
	ACCE	Low / Middle / High / Off	
	AGC	Low / Middle / High	
	Day & night	Auto / BW / Color / EXT (Selectable)	
	2D/3D-NR	2DNR / 3DNR / Smart NR	
	S/N ratio	More than 50dB	
Min. Illumination	1.0 Lux (color), 0.5 Lux (BW), 0.02 (sens-up x60)		
WDR	-		
Intelligent video	-		
Video	Compression	H.264 @HP, MJPEG	
	Streaming	H.264	UDP, TCP, HTTP or HTTPS
		MJPEG	HTTP or HTTPS
	Resolution	H.264	Up to 1080p
		MJPEG	Up to 1080p
Frame rate	H.264	Up to 30fps@1080p	
	MJPEG	Up to 30fps@720p	
Audio	Output	NTSC / PAL 1Vp-p 750hm composite	
	Input / compression	Internal C-MIC (-30dB) / G.711 / AAC	
	Output	Supports volume control & mute	
Networking	Interface	10 / 100 Mbps ethernet, RJ-45	
	ONVIF	Supported	
	Protocols	IPv4, IPv6 (Coming Soon), TCP / IP, HTTP, HTTPS, UPnP, RTP / RTSP, SMTP, FTP, DHCP, NTP, DNS, DDNS, SNMP	
FTP Upload	Users	8 client monitoring at the same time	
	Event	Stores snapshots	
Alarm & events	Motion detection	On / Off (12 Zone Selectable)	
	Sensor & trigger out	1ch NO / NC Input & 1ch NO / NC Output	
	Notifications	Event notification using SMTP, FTP	
Security	Security	Multi-level user access with password protection IP address filtering / HTTPS encrypted data transmission	
Connectors	Connectors	Ethernet: RJ-45; video output: 1x BNC Jack; audio output: 1x stereo phone jack; Alarm in / out: 4P strip wire; power input: 1x DC jack	
Power	Power over ethernet	IEEE 802.3af, 13Watt	
	Power supply / consump.	9 ~ 28VDC, Max 5Watt	
Maintenance	Firmware	Firmware upgrade/ Factory Reset	

Specification

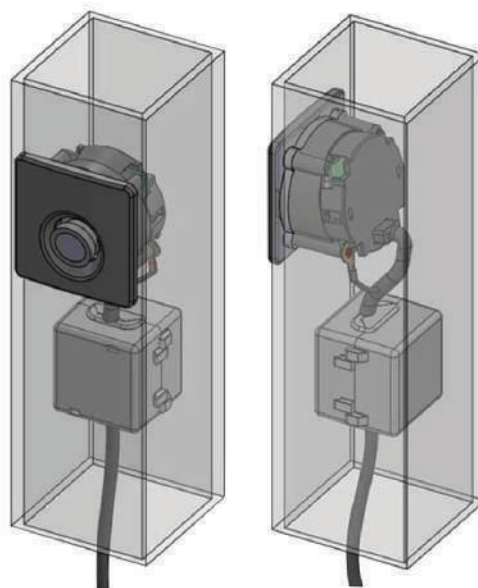
Approvals	Approvals	FCC ClassA
Environmental	Operating temp. / hum.	14°F ~ +140°F (-10°C ~ 60°C) / 10 ~90 RH, non condensing
Applications	Application	SDK available for system integration

Dimension



IP Network Cameras :Mullion

- 2Megapixel full HD IP mullion camera
- Up to 30fps@1080p (H.264)
- Progressive scan
- Dual streaming (H.264 & MJPEG)
- Power over ethernet
- Covert design
- ONVIF profile S supported

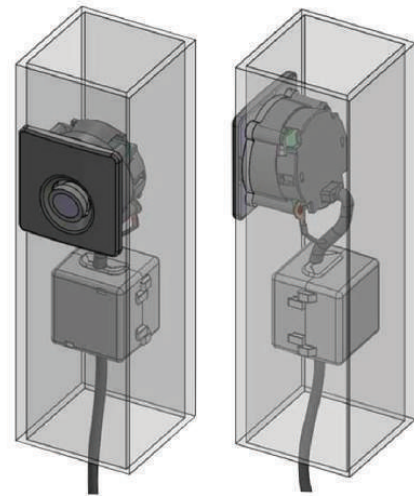


Specification

Camera	Image sensor	Sony IMX122 1/3" 2.1 Megapixel CMOS Image Sensor
	Scanning system	Progressive Scan
	Lens	F1.8 3.7mm mega pixel fixed lens
	Shutter	Rolling shutter
	White balance	AWB / manual
	Wide dynamic range	115 dB
	AGC	Low / Middle / High
	Day & night	Auto / BW / Color / EXT (Selectable)
	Noise reduction	Yes
Mirror & flip function	Yes	
Video	Compression	H.264 @HP, MJPEG
	Streaming	Simultaneous Multiple Streams H.264 streaming over UDP,TCP,HTTP or HTTPS, MJPEG streaming over HTTP or HTTPS
	Resolution	640x480, 800x480, 800x600, 1024x768, 1280x720, 1280x1024
Audio	Frame rate	Up to 30fps@1080p
	compression	G.711/AAC
Networking	Input	Internal C-MIC (optional)
	Output	1x line out
	Interface	10 / 100 Mbps ethernet, RJ-45
	ONVIF	Version 2.0 Support [in the future]
Security	Protocols	IPv4, TCP/IP, HTTP, HTTPS, UPnP, BONJOUR RTP/RTSP, SMTP, FTP, DHCP, NTP, DNS, DDNS, SNMP
	Users	8 client monitoring at the same time
	Security	Multi-level user access with password protection, IP address filtering, HTTPS encrypted data transmission
Maintenance	Firmware	Supports firmware upgrade
	Dual booting	Support for firmware recovery
Applications	Factory reset	Restores to factory default settings
	Security	SDK available for application development and system integration
Connectors	Ethernet	RJ-45 jack
	Audio output	1 stereo phone jack
	Trigger in/out	4P strip wire
Power	Power input	2.1mm DC Jack
	Power over ethernet	IEEE 802.3af
	Power supply	9 VDC~28 VDC Input/Max 4W
Approvals	Power consumption	Max 3.5W
	Approvals	-

Specification

Environmental System	Operating temp. / hum.	14°F ~ +140°F (-10°C ~ 60°C)/10 ~ 90% RH, non condensing
	Operating system	Embedded linux
	Dimensions	45(H) x 45(V) x 50(V) mm
	Weight	-



IP Network Cameras :Covert FDIC

- 2Megapixel full HD IP FDIC camera
- Up to 30fps@1080p (H.264)
- Progressive scan
- Dual streaming (H.264 & MJPEG)
- Power over ethernet
- Covert design
- ONVIF profile S supported

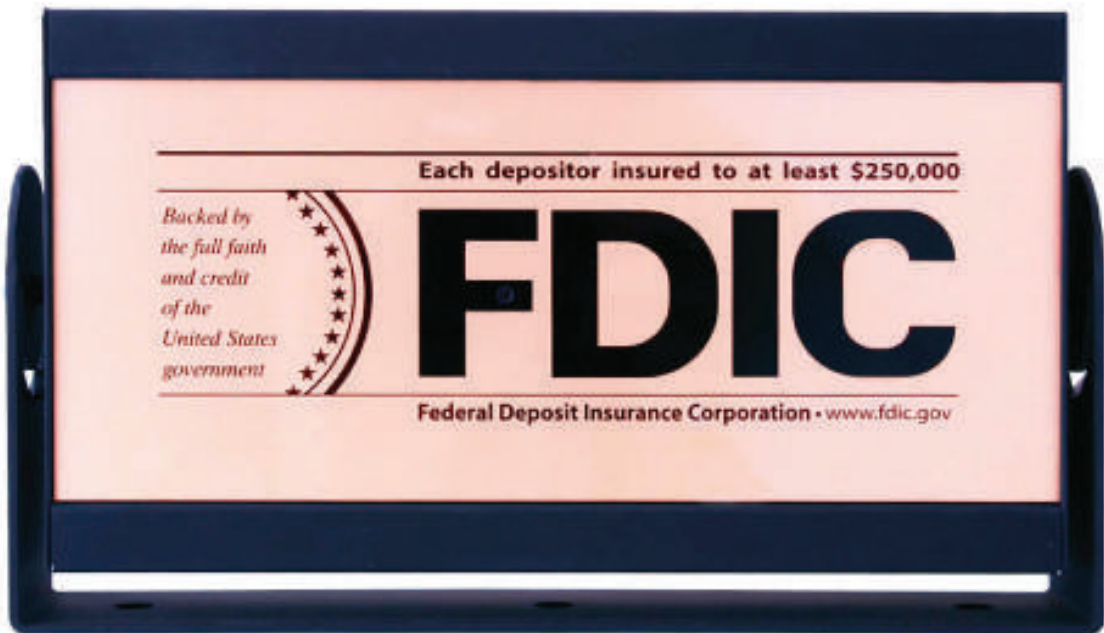


Specification

Camera	Image sensor	Sony IMX122 1/3" 2.1 Megapixel CMOS Image Sensor
	Scanning system	Progressive Scan
	Lens	F2.0 4.3mm mega pixel convert lens, pin-hole type
	Electronic shutter speed	Auto / Flx;NTSC: 1/30 ~ 1/50,000sec PAL: 1/25 ~ 1/50,000sec
	White balance	AWB / manual / indoor / outdoor
	Backlight compensation	BLC / HLC / Off
	ACCE	Low / Middle / High / Off
	AGC	Low / Middle / High
	Day & night	Auto / BW / Color (Selectable)
	2D/3D-NR	2DNR / 3DNR / Smart NR
	S/N ratio	More than 50dB
Min. Illumination	1.0 Lux (color), 0.5 Lux (BW), 0.02 (sens-up x60)	
Video	Compression	H.264 @HP, MJPEG
	Streaming	Simultaneous Multiple Streams H.264 streaming over UDP,TCP,HTTP or HTTPS, MJPEG streaming over HTTP or HTTPS
	Resolution Frame rate	640x480, 800x480, 800x600, 1024x768, 1280x720, 1280x1024, 1920 x 1080 Up to 30fps@1080p
Audio	Input / compression	G.711/AAC
	Input	Internal C-MIC (optional)
	Output	1xline out
Networking	Interface	10 / 100 Mbps ethernet, RJ-45
	ONVIF	Version 2.0 Support [in the future]
	Protocols	IPv4, TCP/IP, HTTP, HTTPS, UPnP, BONJOUR RTP/RTSP, SMTP, FTP, DHCP, NTP, DNS, DDNS, SNMP
	Users	8 client monitoring at the same time
Security	Security	Multi-level user access with password protection, IP address filtering, HTTPS encrypted data transmission
Maintenance	Firmware	Supports firmware upgrade
	Dual booting	Support for firmware recovery
	Factory reset	Restores to factory default settings
Applications	Security	SDK available for application development and system integration
Connectors	Ethernet	RJ-45 jack
	Video input	BNC jeck
	Audio input	1 stereo phone jack
	Trigger in / out	4P strip wire
	Power input	2.1mm DC Jack
Power	Power over ethernet	IEEE 802.3af
	Power supply / consump.	9 VDC~28 VDC Input/Max 5W

Specification

Approvals	Approvals	-
Environmental	Operating temp. / hum.	14°F ~ +140°F (-10°C ~ 60°C)/10 ~ 90% RH, non condensing
System	Operating system	Embedded linux
	Dimensions	196(W) x 61(D) x 104(H) mm
	Weight	-



IP Network Cameras :Teller Tower

- 2Megapixel full HD IP teller tower
- Up to 30fps@1080p (H.264)
- Progressive scan
- Dual streaming (H.264 & MJPEG)
- Power over ethernet
- Covert design
- ONVIF profile S supported



Specification

Camera	Image sensor	Sony IMX122 1/3" 2.1 Megapixel CMOS Image Sensor
	Scanning system	Progressive Scan
	Lens	F2.F1.8 3.7mm mega pixel fixed lens
	Electronic shutter speed	Auto / Flx;NTSC: 1/30 ~ 1/50,000sec PAL: 1/25 ~ 1/50,000sec
	White balance	AWB / manual / indoor / outdoor
	Backlight compensation	BLC / HLC / Off
	ACCE	Low / Middle / High / Off
	AGC	Low / Middle / High
	Day & night	Auto / BW / Color (Selectable)
	2D/3D-NR	2DNR / 3DNR / Smart NR
	S/N ratio	More than 50dB
Min. Illumination	1.0 Lux (color), 0.5 Lux (BW), 0.02 (sens-up x60)	
Video	Compression	H.264 @HP, MJPEG
	Streaming	Simultaneous Multiple Streams H.264 streaming over UDP,TCP,HTTP or HTTPS, MJPEG streaming over HTTP or HTTPS
	Resolution	640x480, 800x480, 800x600, 1024x768, 1280x720, 1280x1024, 1920 x 1080
Audio	Frame rate	Up to 30fps@1080p
	Input / compression	G.711/AAC
	Input	Internal C-MIC (optional)
Networking	Output	1xline out
	Interface	10 / 100 Mbps ethernet, RJ-45
	ONVIF	Version 2.0 Support [in the future]
	Protocols	IPv4, TCP/IP, HTTP, HTTPS, UPnP, BONJOUR RTP/RTSP, SMTP, FTP, DHCP, NTP, DNS, DDNS, SNMP
Security	Users	8 client monitoring at the same time
	Security	Multi-level user access with password protection, IP address filtering, HTTPS encrypted data transmission
Maintenance	Firmware	Supports firmware upgrade
	Dual booting	Support for firmware recovery
Applications	Factory reset	Restores to factory default settings
	Security	SDK available for application development and system integration
Connectors	Ethernet	RJ-45 jack
	Video input	BNC jeck
	Audio input	1 stereo phone jack
	Trigger in / out	4P strip wire
	Power input	2.1mm DC Jack
Power	Power over ethernet	IEEE 802.3af
	Power supply / consump.	9 VDC~28 VDC Input/Max 5W

Specification

Approvals	Approvals	-
Environmental	Operating temp. / hum.	14°F ~ +140°F (-10°C ~ 60°C)/10 ~ 90% RH, non condensing
System	Operating system	Embedded linux
	Dimensions	92(W) x 68(D) x 502(H) mm
	Weight	-



IP Network Cameras

Model: WDD-4399HD/4399HDN



IP Network Cameras :Mini-Domes

- 2Megapixel full HD IP dome camera
- Up to 30fps@1080p (H.264)
- Progressive scan
- Dual streaming (H.264 & MJPEG)
- Power over ethernet
- Ultra compact design / rugged weatherproof housing
- Built-In Micro SDHC slot for storing snapshots & video clips
- Infra-red LED day & night - (WDD-4399HDN only)
- ONVIF Profile S supported

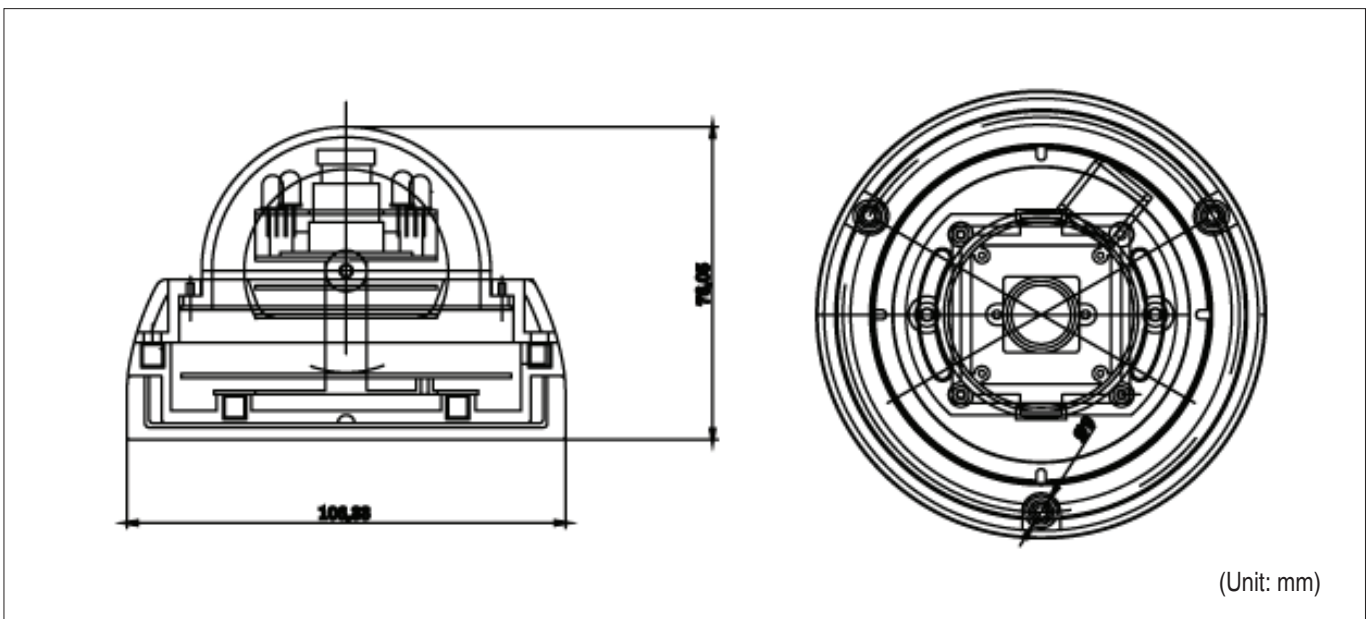
Specification

Camera	Image sensor	SONY IMX 122 1/3" 2.1Megapixel CMOS	
	Scanning system	Progressive scan	
	Lens	3.6mm fixed lens	
	Electronic shutter speed	Auto / Flx;NTSC: 1/30 ~ 1/50,000sec PAL: 1/25 ~ 1/50,000sec	
	White balance	AWB / manual / indoor / outdoor	
	Backlight compensation	BLC / HLC / Off	
	ACCE	Low / Middle / High / Off	
	AGC	Low / Middle / High	
	Day & night	Auto / BW / color / EXT (selectable)	
	2D/3D-NR	2DNR / 3DNR / smart NR	
	S/N Ratio	More than 50dB	
	Min. Illumination	1.0 Lux (color), 0.5 Lux (BW), 0.02 (Sens-up x60)	
	WDR	-	
Intelligent video	-		
Video	Compression	H.264 @HP,MJPEG	
	Streaming	H.264	UDP, TCP, HTTP or HTTPS
		MJPEG	HTTP or HTTPS
	Resolution	H.264	Up to 1080p
		MJPEG	352 x 192, 640 x 480, 1280 x 720
Frame rate	H.264	Up to 30fps@1080p	
	MJPEG	Up to 30fps@720p	
Audio	Output	NTSC / PAL 1Vp-p 75Ohm composite	
	Input / compression	Internal C-MIC (-30dB) / G.711 / AAC	
	Output	Supports volume control & mute	
Networking	Interface	10 / 100 Mbps ethernet, RJ-45	
	ONVIF	Supported	
	Protocols	IPv4, IPv6 (coming Soon), TCP / IP, HTTP, HTTPS, UPnP, RTP / RTSP, SMTP, FTP, DHCP, NTP, DNS, DDNS, QoS (Coming Soon), SNMP	
	Users	8 client monitoring at the same time	
Storage	File format	MP4	
	SDHC	Buit-In micro-SDHC slot [4GB ~ 32GB] stores snapshots & video clips	
Alarm & events	Motion detection	On / off (12zone selectable)	
	Sensor & trigger out	1ch NO / NC input & 1ch NO / NC output	
	Notifications	Event notification using SMTP, FTP	
Applications Security	Security	Multi-level user access with password protection	
	Security	IP address filtering / HTTPS encrypted data transmission	
Connectors	Connectors	Ethernet: RJ-45; video output: 1x BNC jack; audio output:1x stereo phone jack; Alarm in / out: 4P strip wire; power input: 1x DC jack	
Power	Power over ethernet	IEEE 802.3af, 13Watt	
	Power supply / consump.	9 ~ 28VDC	
Maintenance Approvals	Maintenance Approvals	Firmware upgrade: 16ch remote management (RMS)	
		-	

Specification

Environmental	Operating temp. / hum.	14°F ~ +140°F (-10°C ~ 60°C) / 10 ~90 RH, non condensing
System	Operating system	Embedded linux
	Dimensions	4.17 " x 3.0"
	Weight	-

Dimension





IP Network Cameras :Vari-Focal Armordomes

- 2Megapixel full HD IP dome camera
- Up to 30fps@1080p (H.264)
- Progressive scan
- Dual streaming (H.264 & MJPEG)
- Power over ethernet
- Ultra compact design / rugged weatherproof housing
- Built-in Micro SDHC slot for storing snapshots & video clips
- Infra-red LED day & night - (WDD-5499HDN only)
- Varifocal lens 3.5mm ~ 12mm
- ONVIF Profile S supported

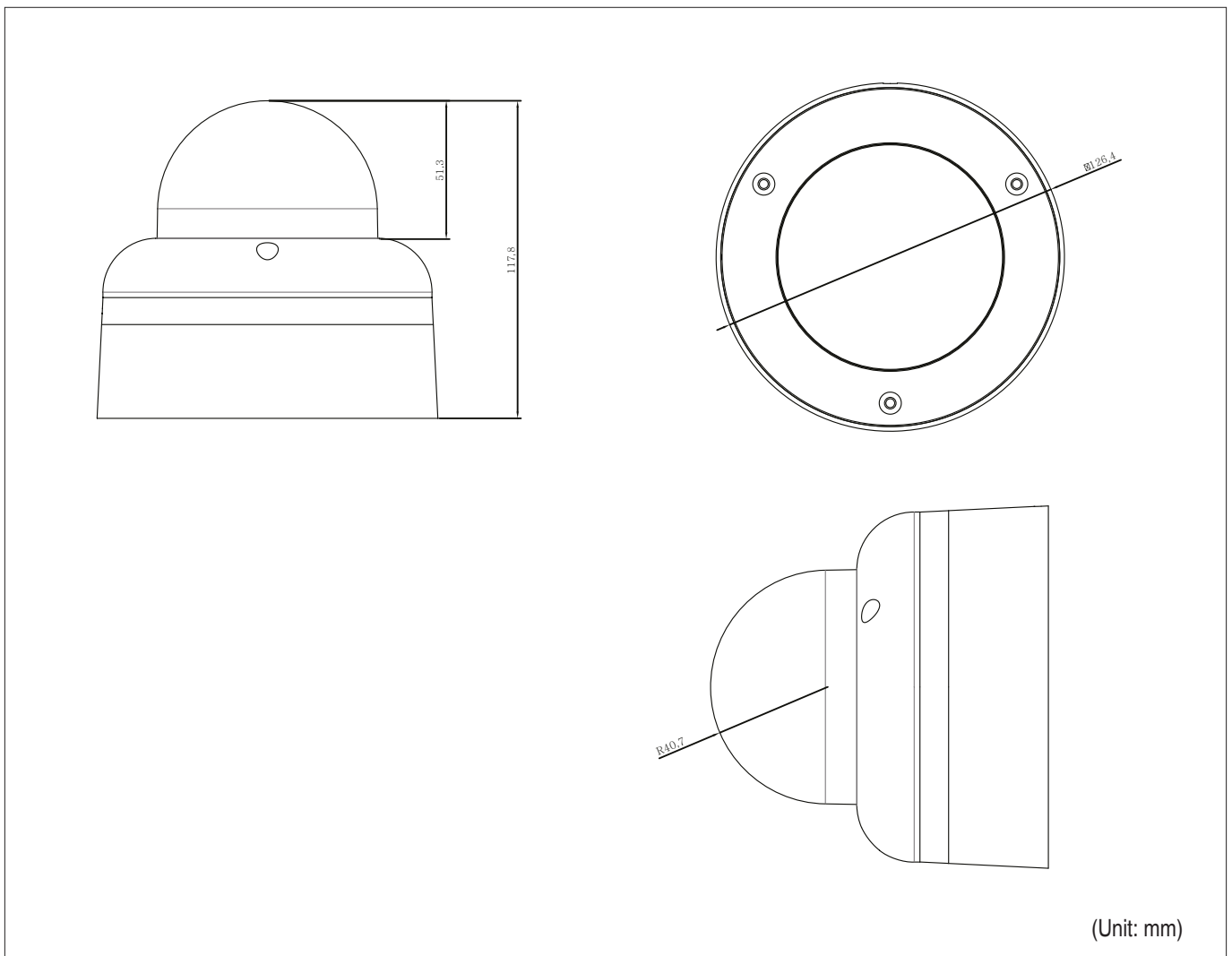
Specification

Camera	Image sensor	SONY IMX 122 1/3" 2.1Megapixel CMOS	
	Scanning system	Progressive scan	
	Lens	Varifocal: 3.5mm ~ 12mm	
	Electronic shutter speed	Auto / Flk; NTSC: 1/30 ~ 1/50,000sec PAL: 1/25 ~ 1/50,000sec	
	White balance	AWB / manual / indoor / outdoor	
	Backlight compensation	BLC / HLC / Off	
	ACCE	Low / Middle / High / Off	
	AGC	Low / Middle / High	
	Day & night	Auto / BW / color / EXT (selectable)	
	2D/3D-NR	2DNR / 3DNR / smart NR	
	S/N ratio	More than 50dB	
	Min. Illumination	1.0 Lux (color), 0.5 Lux (BW), 0.02 (Sens-up x60)	
	WDR	-	
Intelligent video	-		
Video	Compression	H.264 @HP,MJPEG	
	Streaming	H.264	UDP, TCP, HTTP or HTTPS
		MJPEG	HTTP or HTTPS
	Resolution	H.264	Up to 1080p
		MJPEG	352 x 192, 640 x 480, 1280 x 720
	Frame rate	H.264	Up to 30fps@1080p
MJPEG		Up to 30fps@720p	
Audio	Output	NTSC / PAL 1Vp-p 75Ohm composite	
	Input / compression	Internal C-MIC (-30dB) / G.711 / AAC	
Networking	Output	Supports volume control & mute	
	Interface	10 / 100 Mbps ethernet, RJ-45	
	ONVIF	Supported	
Storage	Protocols	IPv4, IPv6 (coming soon), TCP / IP, HTTP, HTTPS, UPnP, RTP / RTSP, SMTP, FTP, DHCP, NTP, DNS, DDNS, QoS (coming soon), SNMP	
	Users	8 client monitoring at the same time	
Alarm & events	File format	MP4	
	SDHC	Built-in micro-SDHC slot [4GB ~ 32GB] stores snapshots & video clips	
Applications Security	Motion detection	On / off (12 zone selectable)	
	Sensor & trigger out	1ch NO / NC input & 1ch NO / NC output	
Connectors	Notifications	Event notification using SMTP, FTP	
	Security	Multi-level user access with password protection	
Power	Security	IP address filtering / HTTPS encrypted data transmission	
	Connectors	Ethernet: RJ-45; video output: 1x BNC jack; audio output: 1x stereo phone jack; Alarm in / out: 4P strip wire; power input: 1x DC jack	
Maintenance Approvals	Power over ethernet	IEEE 802.3af, 13Watt	
	Power supply / consump.	9 ~ 28VDC	
	Maintenance Approvals	Firmware upgrade: 16ch remote management (RMS)	
		-	

Specification

Environmental	Operating temp. / hum.	14°F ~ +140°F (-10°C ~ 60°C) / 10 ~90 RH, non condensing
System	Operating system	Embedded linux
	Dimensions	5" x 4"
	Weight	-

Dimension



IP Network Cameras

Model: WDP-88BT2M



IP Network Cameras :Bullet Camera

- 2Megapixel full HD IP bullet camera
- Up to 30fps@1080p (H.264)
- Progressive scan
- Dual streaming (H.264 & MJPEG)
- Power over ethernet
- Ultra compact design / rugged weatherproof housing
- Infra-red LED day & night
- Varifocal lens 2.8mm ~ 12mm
- ONVIF profile S supported

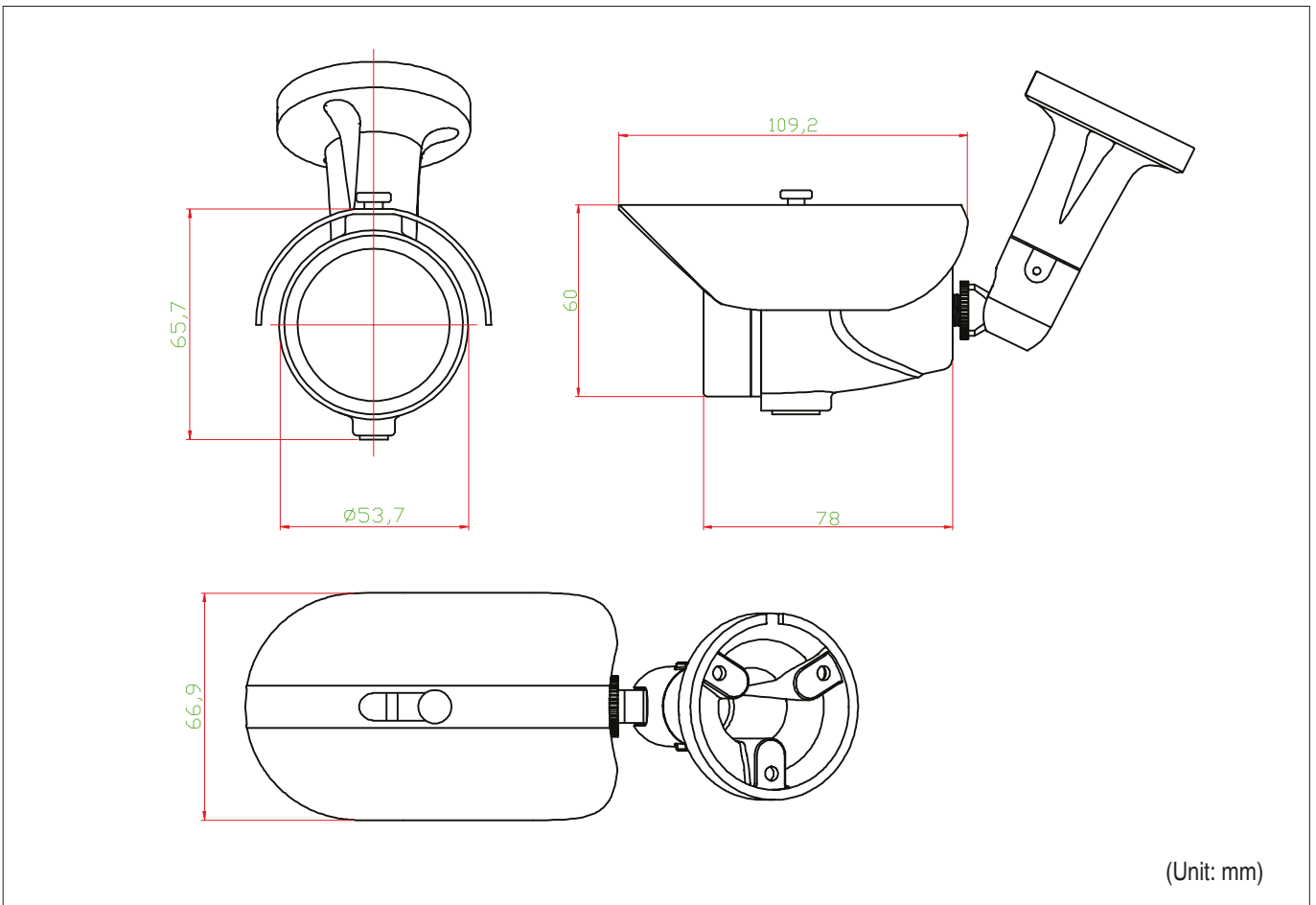
Specification

Camera	Image sensor		SONY IMX 122 1/3" 2.1Megapixel CMOS
	Scanning system		Progressive scan
	Lens		Varifocal: 2.8mm ~ 12mm
	Electronic shutter speed		Auto / Flk; NTSC: 1/30 ~ 1/50,000sec PAL: 1/25 ~ 1/50,000sec
	White balance		AWB / manual / indoor / outdoor
	Backlight compensation		BLC / HLC / Off
	ACCE		Low / Middle / High / Off
	AGC		Low / Middle / High
	Day & night		Auto / BW / color / EXT (selectable)
	2D/3D-NR		2DNR / 3DNR / smart NR
	S/N ratio		More than 50dB
	Min. Illumination		1.0 Lux (color), 0.5 Lux (BW), 0.02 (Sens-up x60)
	WDR		-
Intelligent video		-	
Video	Compression		H.264 @HP,MJPEG
	Streaming	H.264	UDP, TCP, HTTP or HTTPS
		MJPEG	HTTP or HTTPS
	Resolution	H.264	Up to 1080p
		MJPEG	352 x 192, 640 x 480, 1280 x 720
Frame rate	H.264	Up to 30fps@1080p	
	MJPEG	Up to 30fps@720p	
Audio	Output		NTSC / PAL 1Vp-p 75Ohm composite
	Input / compression		Internal C-MIC (-30dB) / G.711 / AAC
	Output		Supports volume control & mute
Networking	Interface		10 / 100 Mbps ethernet, RJ-45
	ONVIF		Supported
	Protocols		IPv4, IPv6 (coming soon), TCP / IP, HTTP, HTTPS, UPnP, RTP / RTSP, SMTP, FTP, DHCP, NTP, DNS, DDNS, QoS (coming soon), SNMP
Storage	Users		8 client monitoring at the same time
	File format		MP4
Alarm & events	Sensor & trigger out		1ch NO / NC input & 1ch NO / NC output
	Notifications		Event notification using SMTP, FTP
Applications Security	Security		Multi-level user access with password protection
	Security		IP address filtering / HTTPS encrypted data transmission
Connectors	Connectors		Ethernet: RJ-45; video output: 1x BNC jack; audio output: 1x stereo phone jack; Alarm in / out: 4P strip wire; power input: 1x DC jack
Power	Power over ethernet		IEEE 802.3af, 13Watt
	Power supply / consump.		9 ~ 28VDC
Maintenance Approvals	Maintenance Approvals		Firmware upgrade: 16ch remote management (RMS)
			-

Specification

Environmental	Operating temp. / hum.	14°F ~ +140°F (-10°C ~ 60°C) / 10 ~90 RH, non condensing
System	Operating system	Embedded linux
	Dimensions	5" x 4"
	Weight	-

Dimension



IP Network Cameras

Model: WDAC-5799HD



IP Network Cameras :Box Camera

- 2Megapixel full HD IP box type camera
- Up to 30fps@1080p (H.264)
- Progressive scan
- Dual streaming (H.264 & MJPEG)
- DC drive lens
- Power over ethernet
- Supports multiple networking protocols
- ONVIF profile S supported

Specification

Camera	Image sensor	SONY IMX 122 1/3" 2.1Megapixel CMOS	
	Scanning system	Progressive scan	
	Lens	DC auto IRIS, C/CS mount	
	Electronic shutter speed	Auto / Flk; NTSC: 1/30 ~ 1/50,000sec PAL: 1/25 ~ 1/50,000sec	
	White balance	AWB / manual / indoor / outdoor	
	Backlight compensation	BLC / HLC / Off	
	ACCE	Low / Middle / High / Off	
	AGC	Low / Middle / High	
	Day & night	Auto / BW / color / EXT (selectable)	
	2D/3D-NR	2DNR / 3DNR / smart NR	
	S/N ratio	More than 50dB	
	Min. Illumination	1.0 Lux (color), 0.5 Lux (BW), 0.02 (Sens-up x60)	
	WDR	-	
Intelligent video	-		
Video	Compression	H.264 @HP,MJPEG	
	Streaming	H.264	UDP, TCP, HTTP or HTTPS
		MJPEG	HTTP or HTTPS
	Resolution	H.264	Up to 1080p
		MJPEG	352 x 192, 640 x 480, 1280 x 720
Frame rate	H.264	Up to 30fps@1080p	
	MJPEG	Up to 30fps@720p	
Audio	Output	NTSC / PAL 1Vp-p 75Ohm composite	
	Input / compression	G.711 / AAC	
Networking	Output	Supports volume control & mute	
	Interface	10 / 100 Mbps ethernet, RJ-45	
	ONVIF	Supported	
	Protocols	IPv4, IPv6 (coming soon), TCP / IP, HTTP, HTTPS, UPnP, RTP / RTSP, SMTP, FTP, DHCP, NTP, DNS, DDNS, QoS (coming soon), SNMP	
Storage	Users	8 client monitoring at the same time	
	File format	MP4	
Alarm & events	SDHC	Built-in micro-SDHC Slot [4GB ~ 32GB] stores snapshots & video clips	
	Motion detection	On/ off (12 zone selectable)	
	Sensor & trigger out	1ch NO / NC input & 1ch NO / NC output	
Applications Security	Notifications	Event notification using SMTP, FTP	
	Security	Multi-level user access with password protection	
Connectors	Security	IP address filtering / HTTPS encrypted data transmission	
	Connectors	Ethernet: RJ-45; RS485:2P terminal; video output: 1xBNC jack; Audio input: 1x stereo phone jack; audio output: 1x stereo phone jack; Alarm in / out: 4P strip wire; power input: 1x DC jack	
Power	Power over ethernet	IEEE 802.3af, 13Watt	
	Power supply / consump.	9 ~ 28VDC; 24VAC	

Specification

Maintenance Approvals	Maintenance Approvals	Firmware upgrade: 16ch remote management (RMS)
Environmental	Operating temp. / hum.	14°F ~ +140°F (-10°C ~ 60°C) / 10 ~90 RH, non condensing
System	Operating system	Embedded linux
	Dimensions	4.44" x 1.96" x 1.96"
	Weight	1 lbs

Dimension

