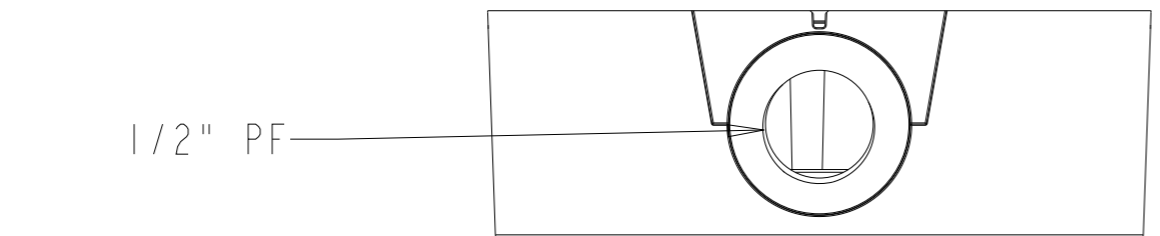
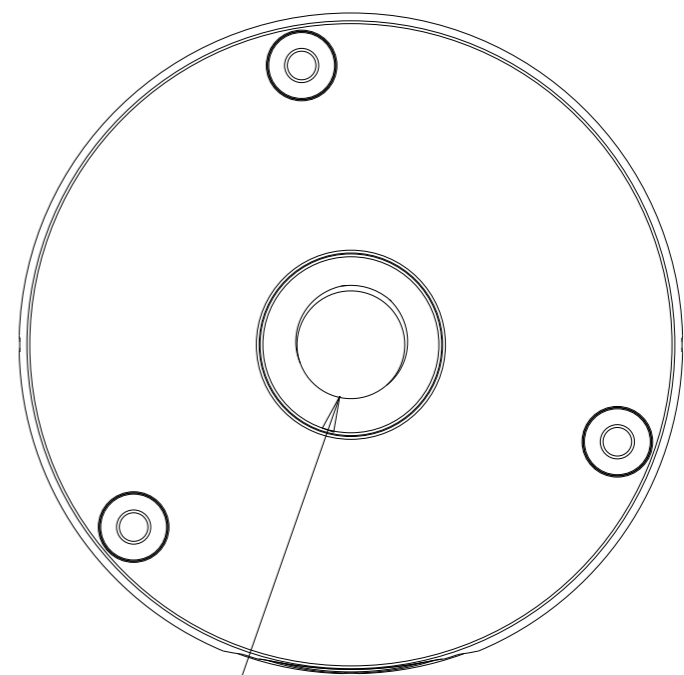
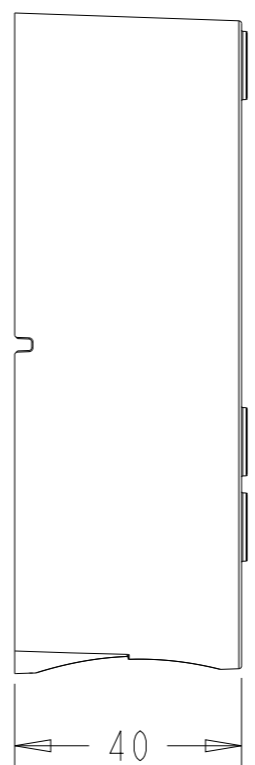
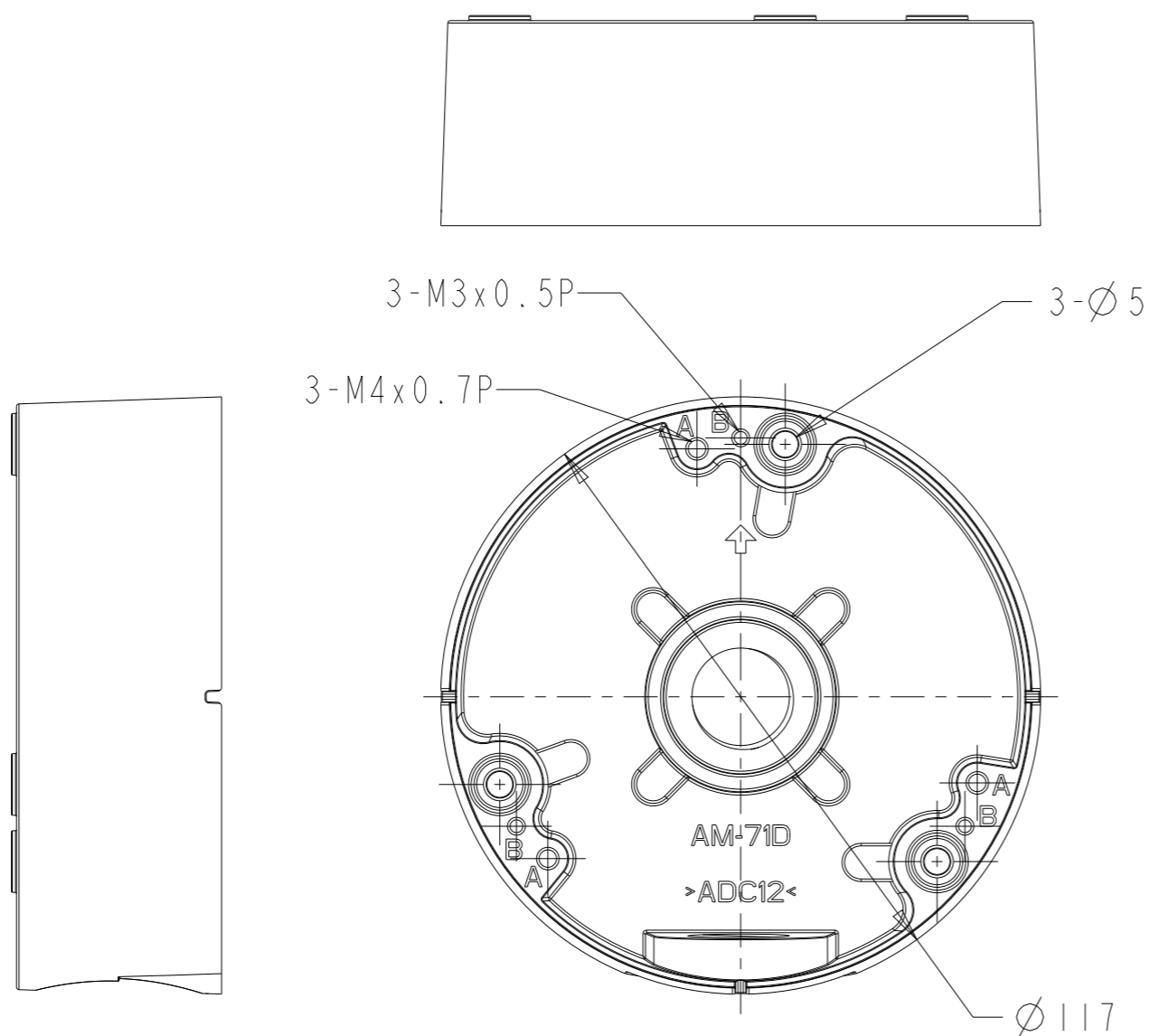


REVISIONS				
REV	DESCRIPTION	POSITION	ENGINEER	DATE
1.0	New Edition			Mar-17-20



1/2" PF

UNLESS OTHERWISE SPECIFIED
ALL DIMENSIONS ARE IN mm

TOLERANCE ON:
 LINEAR : <30 ±0.10
 30-50 ±0.15
 50-100 ±0.18
 100-200 ±0.20
 200-300 ±0.25
 >300 ±0.30

ANGULAR: X ±1°
 X.X ±0.5°



THIS DRAWING ON THIS PRINT AND INFORMATION
THEREWITH ARE PROPRIETARY TO VIVOTEK INC.
AND SHALL NOT BE USED OR DISCUSSED IN WHOLE
OR IN PART WITHOUT VIVOTEK'S CONSENT.

CP02-WI-014-01-5

PART NO.		MODEL			
ENGR		AM-71D			
DRN		DRAWING TITLE			
CHK		AM-71D-6VIEW			
M'TL		ISSUE DATE	Mar-17-20	REVISION	1.39
FINISH		SCALE	1.000	UNIT	mm
	第三角法	SIZE	A3	SHEET	1 OF 1