

Installation Guide

Revision History:
Rev. 1.0: Initial release

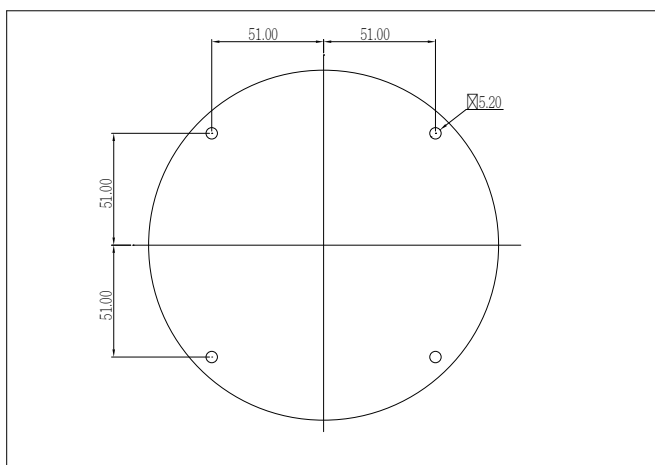
Part no.: 625031300G
Accessory Ordering part no.: 100138700G, AM-713_V01

Compatible VIVOTEK Cameras

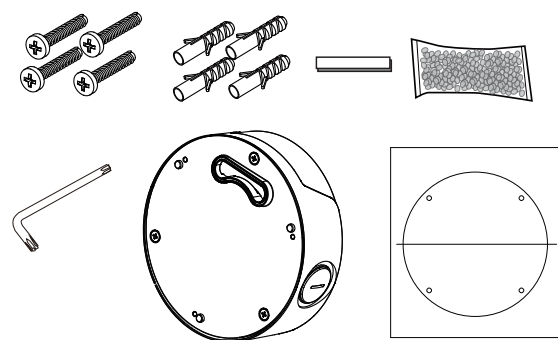
Compatible cameras/brackets

FD836B-HTV, FD836B-EHTV, FD836B-HVF2, FD836B-EHVF2, FD8382-TV, FD8382-ETV, FD8382-VF2, FD8382-EVF2, FD9381-HTV, FD9381-EHTV, FD9371-HTV, FD9371-EHTV

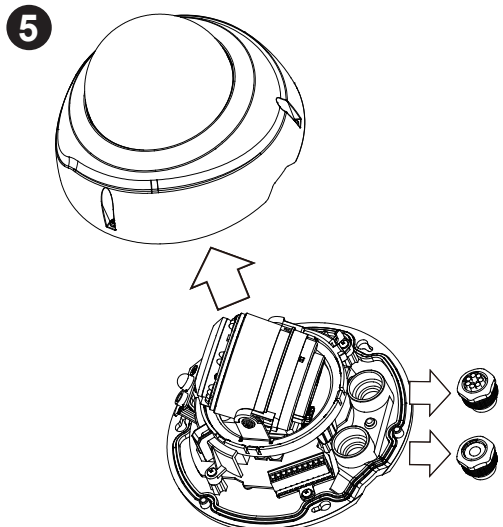
Mounting Dimensions



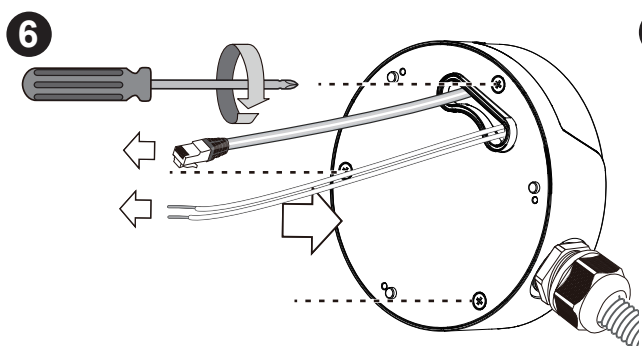
Package Contents



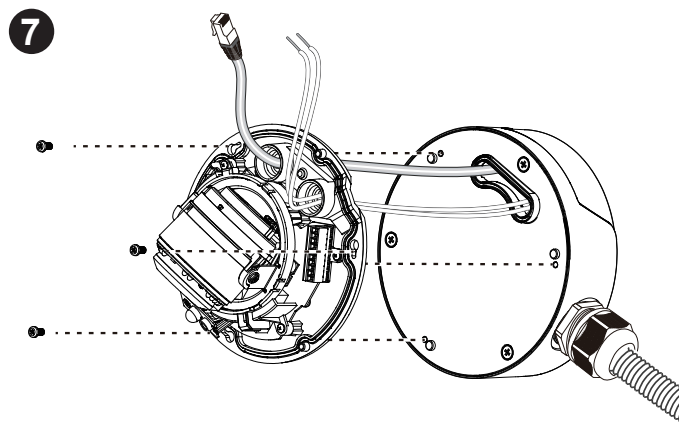
Remove the dome cover and waterproof connectors.



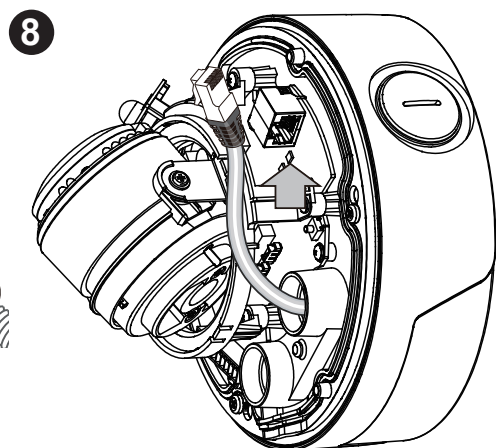
Pass cables through the center hole on the top cover. Secure the top cover by driving screws.



Pass cables through the routing holes and install the camera to box by driving screws.

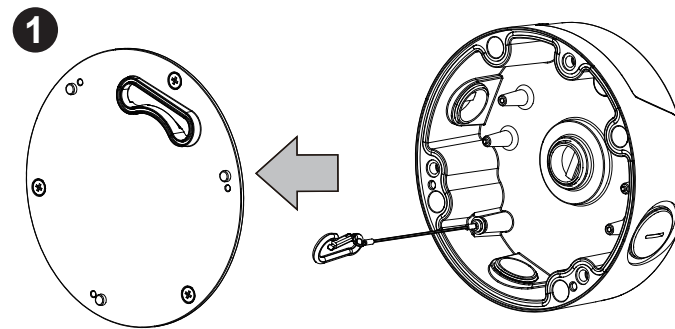


Connect cables to the Ethernet port and terminal block.

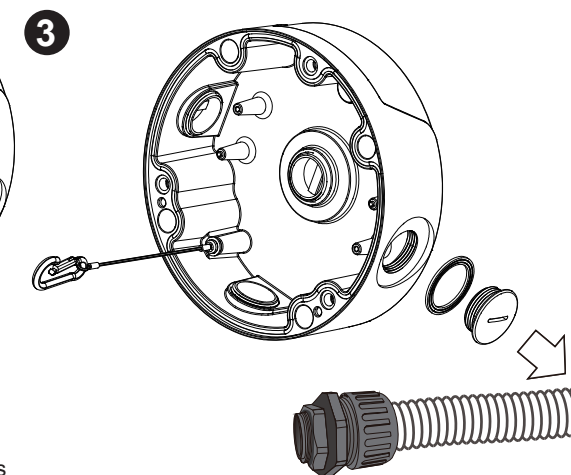


Installation

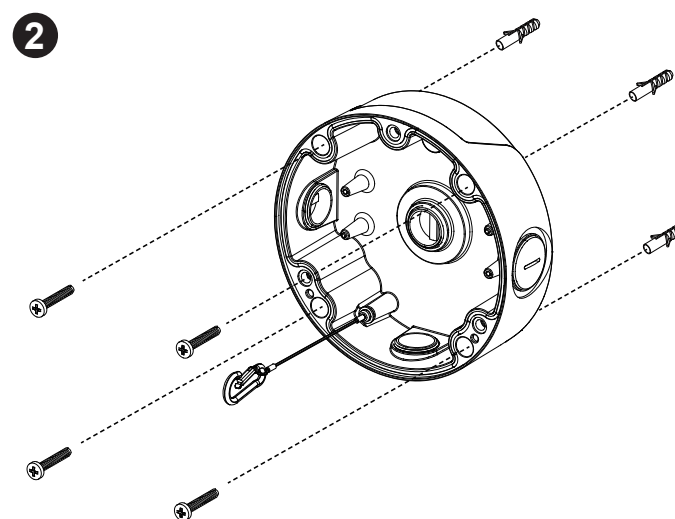
Remove the top cover and unhook the tether wire.



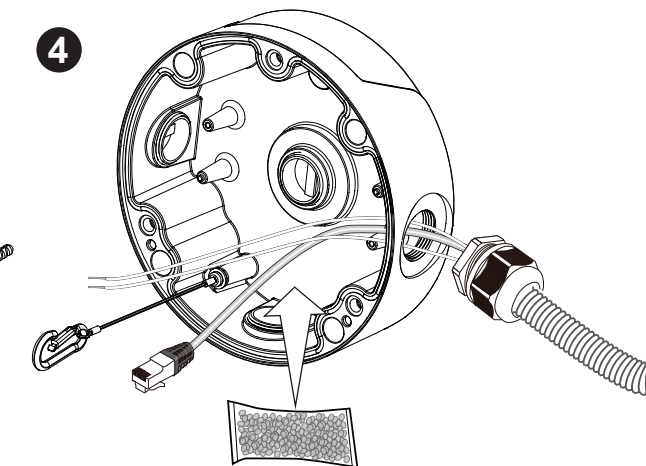
A 3/4" conduit is required for routing the cables with waterproof connection.



Attach the included alignment sticker to a preferred position. Drill holes on the wall and install the junction box. If space behind the wall allows, you may also pass cables through the wall.



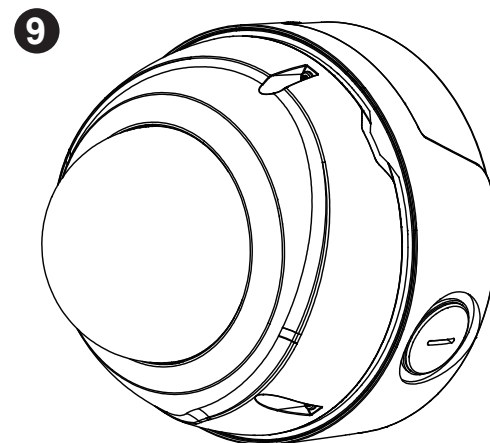
Install the cable gland and pass cables through it.



Attach a desiccant bag to the inside of the box. Note that the installation should be completed within 30 minutes so that desiccant remains effective.

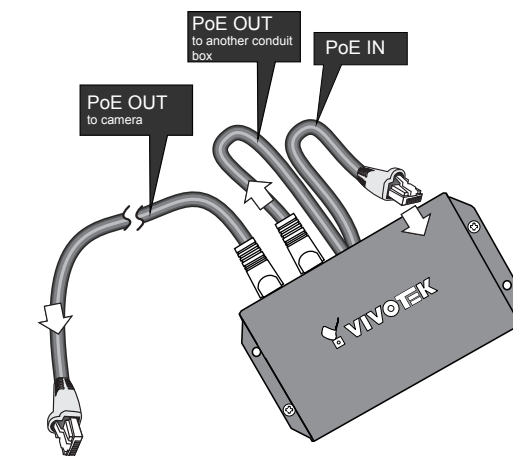
Open a live view console and adjust the shooting direction. Refer to the camera's QIG for more information.

Secure the camera top cover.



Connect the PoE IN and PoE OUT cables.

Put tags on the cables marking their intended use.



Optional Installation

You can also install a PoE extender (AP-FXC-0200) to the box.

