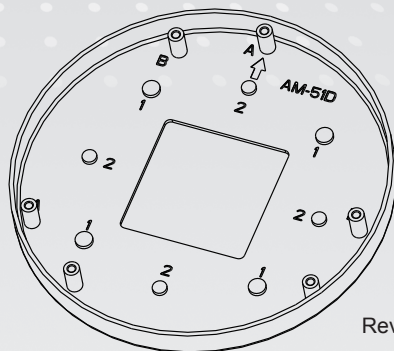


VIVOTEK Fixed Dome Series Mounting Cap

Installation Guide

Using AM-51D mounting cap
and compatible accessories



Rev. 1.0

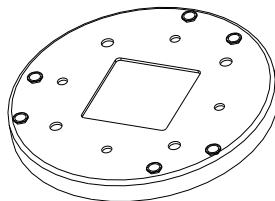
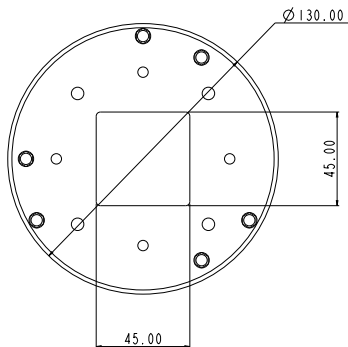
Ordering part no.:100147700G

QIG Part no.: 625035600G

Revision History:

* Rev. 1.0: Initial Release

AM-51D Mounting Cap Mechanical Drawings



I Compatible VIVOTEK Cameras

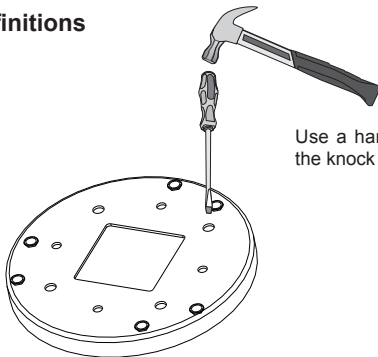
Fixed Dome series	FD8369A / FD8367A / FD8169A / FD8167A / FD8379-HV / FD8377-HV / FD8179-H / FD8177-H
-------------------	--

You may also refer to VIVOTEK's website for the list of supported models. Support for other models can be available through time.

Package Contents: AM-51D, Installation Guide, 3x panhead M3x7, double-sided tape, plastic stopper

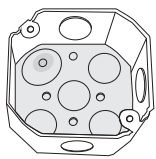
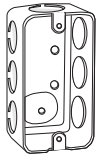
II Installation

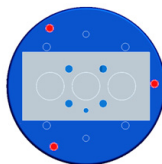
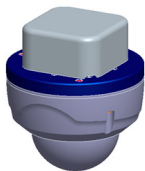
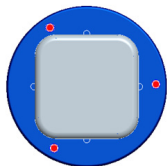
Mounting Hole Definitions



Use a hammer and screwdriver to open the knock out holes you prefer to use.

Above are the locations of different groups of mounting holes for matching different junction boxes:

Hole Type	Applicable Box	Drawings	Screw	No. of screws
1	4" octagon box		#8-32, L15 (User-supplied)	2
2	1" single gang box		#6-32, L15 (User-supplied)	2



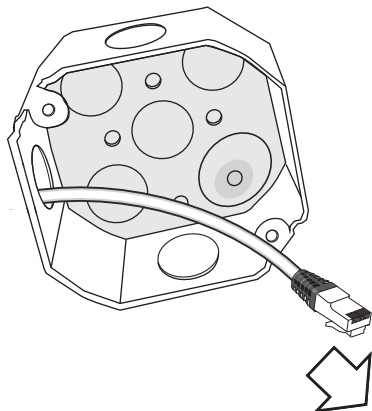
Hole Type	Applicable Cameras	Screw	No. of screws
A	FD8369A/FD8367A/FD8379-HV/ FD8377-HV	M3x7	3
B	FD8169A/FD8167A/FD8179-H/ FD8177-H	M3x7	3

 **NOTE:**

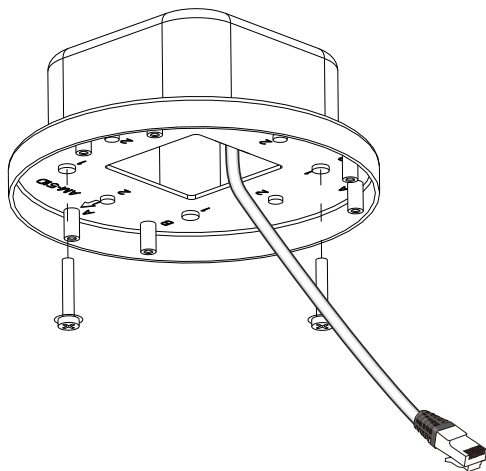
1. Route cables before you secure the accessories to a wall.
2. For details on the cable connections with network cameras, please refer to their Quick Installation Guide.

Installing the Mounting Cap

1. Route cables through the junction box.

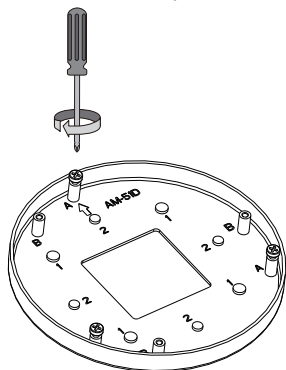


2. Install the mount cap to the junction box. Use screw holes specified on page 3 depending on the type of junction box.

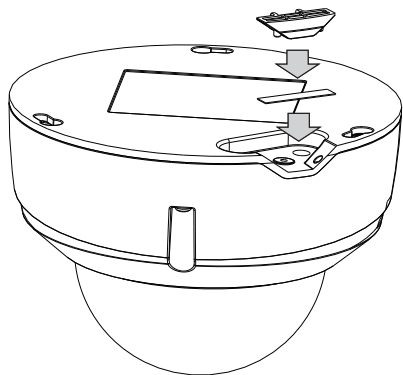


3-1. FD8369A/FD8367A/FD8379/FD8377

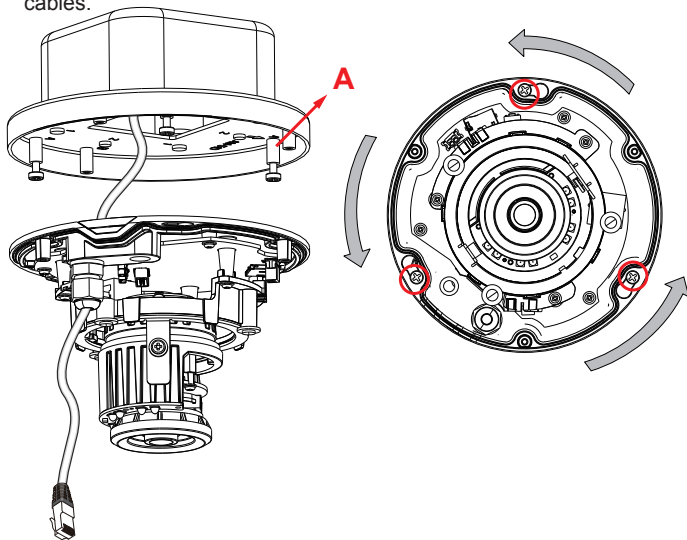
- 3-1-1. Fasten screws to the **A** holes on the mounting cap. Do not completely tighten the screws. Leave part of the screws out.



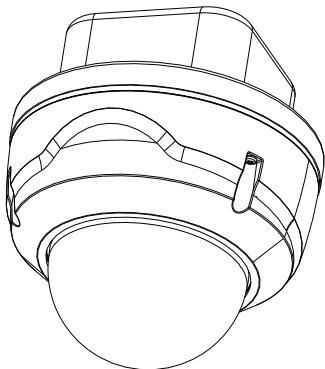
Attach the plastic stopper to the opening at the bottom of the camera.



3-1-2. Refer to the camera's Quick Installation Guide for how to make the waterproof connections. Install the camera to the mounting cap by turning it counter-clockwise so that the screw heads fit in the keyhole slots. Fasten the screws, and then connect the cables.



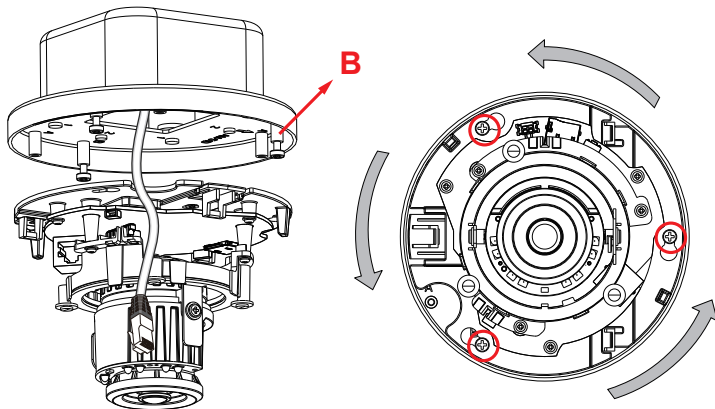
3-1-3. Tune the focus, and refer to the documentation that came with your cameras for the rest of configuration details. Install the dome cover.



3-2. FD8169A/FD8167A/FD8179/FD8177

3-2-1. Fasten screws to the **B** holes on the mounting cap. Do not completely tighten the screws. Leave part of the screws out.

3-2-2. Install the camera to the mounting cap by turning it counter-clockwise so that the screw heads fit in the keyhole slots. Fasten the screws, and then connect the cables.



3-2-3. Tune and focus, and refer to the documentation that came with your cameras for the rest of configuration details. Install the dome cover.

