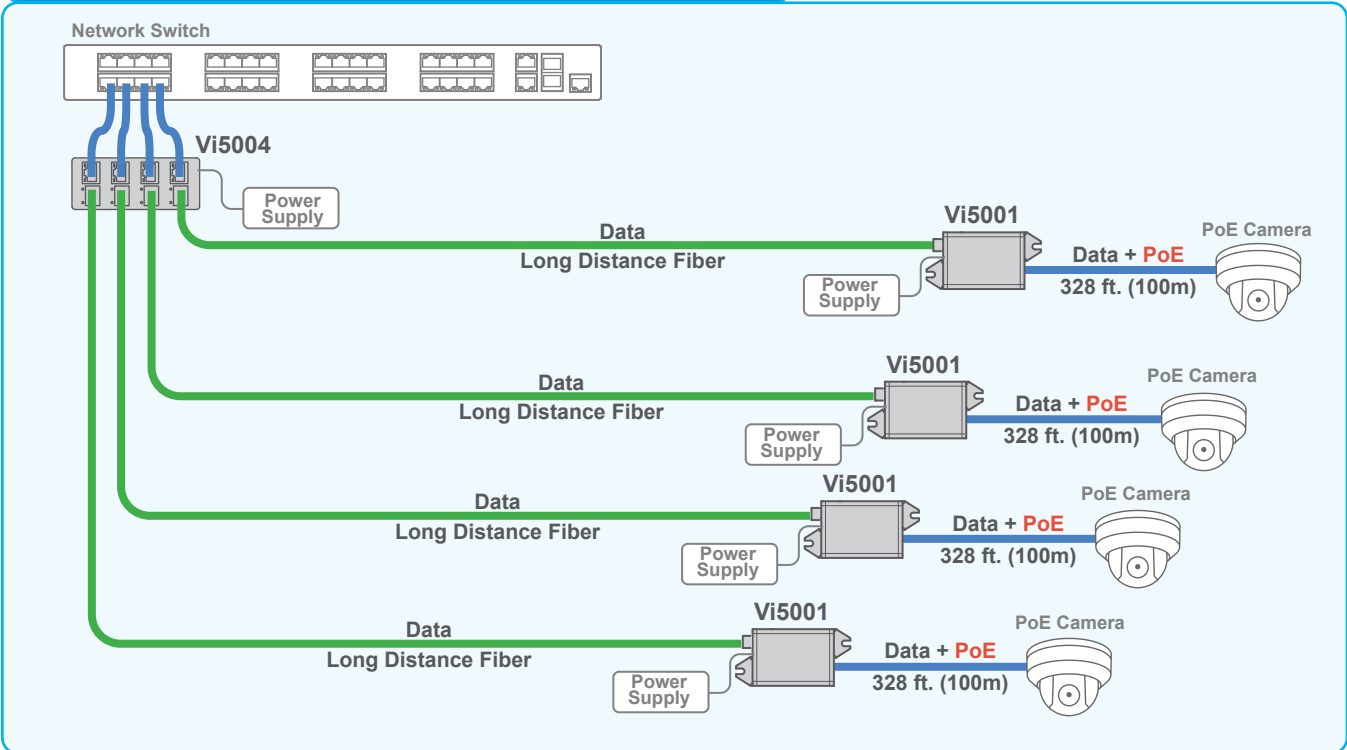


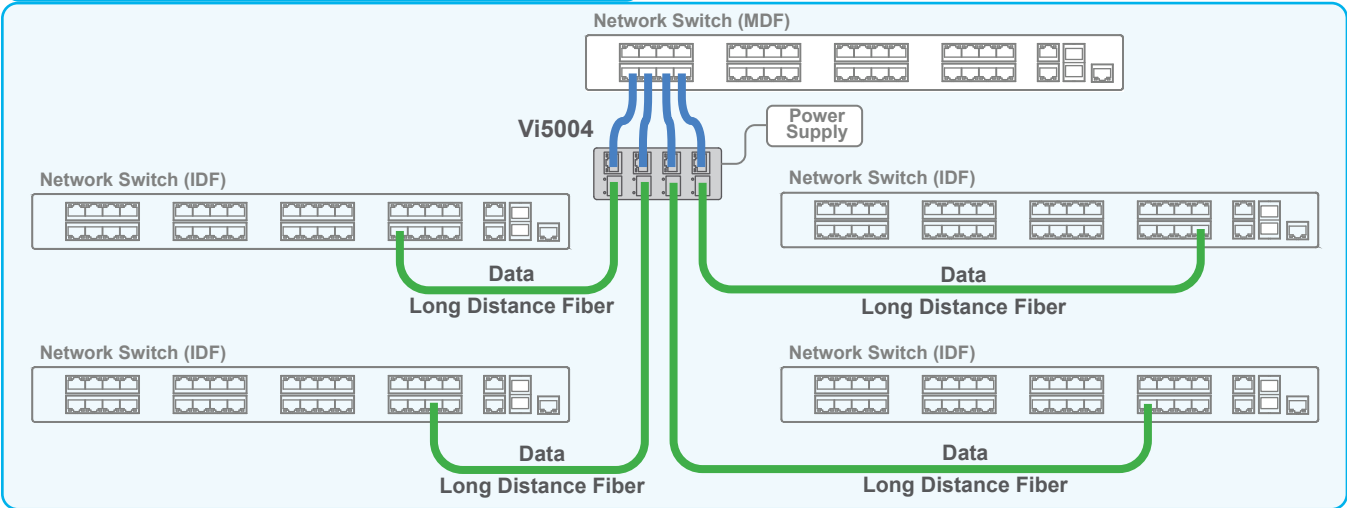
— Cat 5/6  
— Fiber Optics

## Adding fiber optic connection to Network switches



The Vi5004 along with Vi5001 enables adding 100Base-T fiber connection to any network switch. Each port of Vi5004 can be individually powered by PoE or local power supply SFPs need to be added to Vi5004 and Vi5001 to match the fiber optic cables.

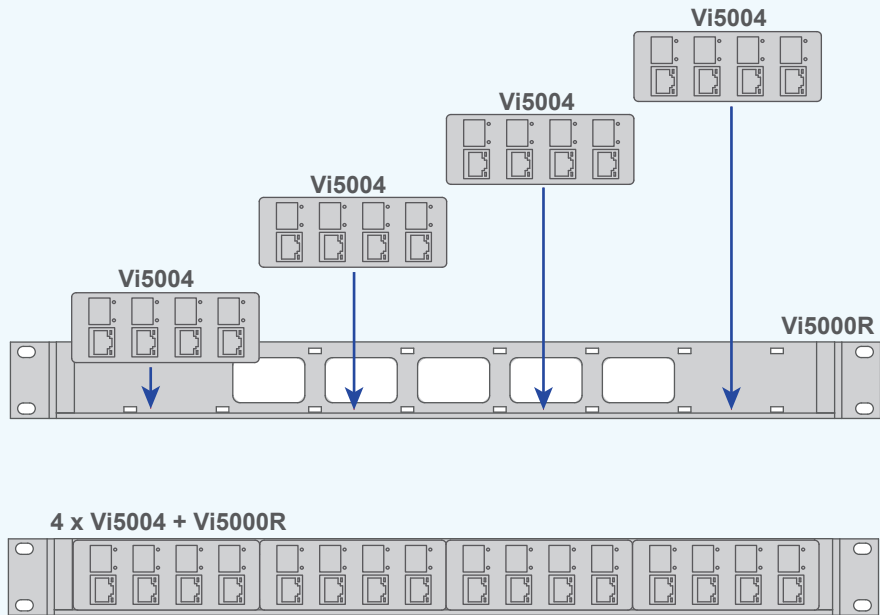
## Connecting IDF switches to MDF switches



The Vi5004 can connect up to four IDF switches to an MDF switch.

— Cat 5/6  
— Fiber Optics

## Rack mount four 4-port Vigitron transmission devices



*The Vi5000R provides an easy way to rack mount up to four Vi5004s to make a 16 port media converter. The Vi5000B can be used to cover empty spaces of Vi5000R.*