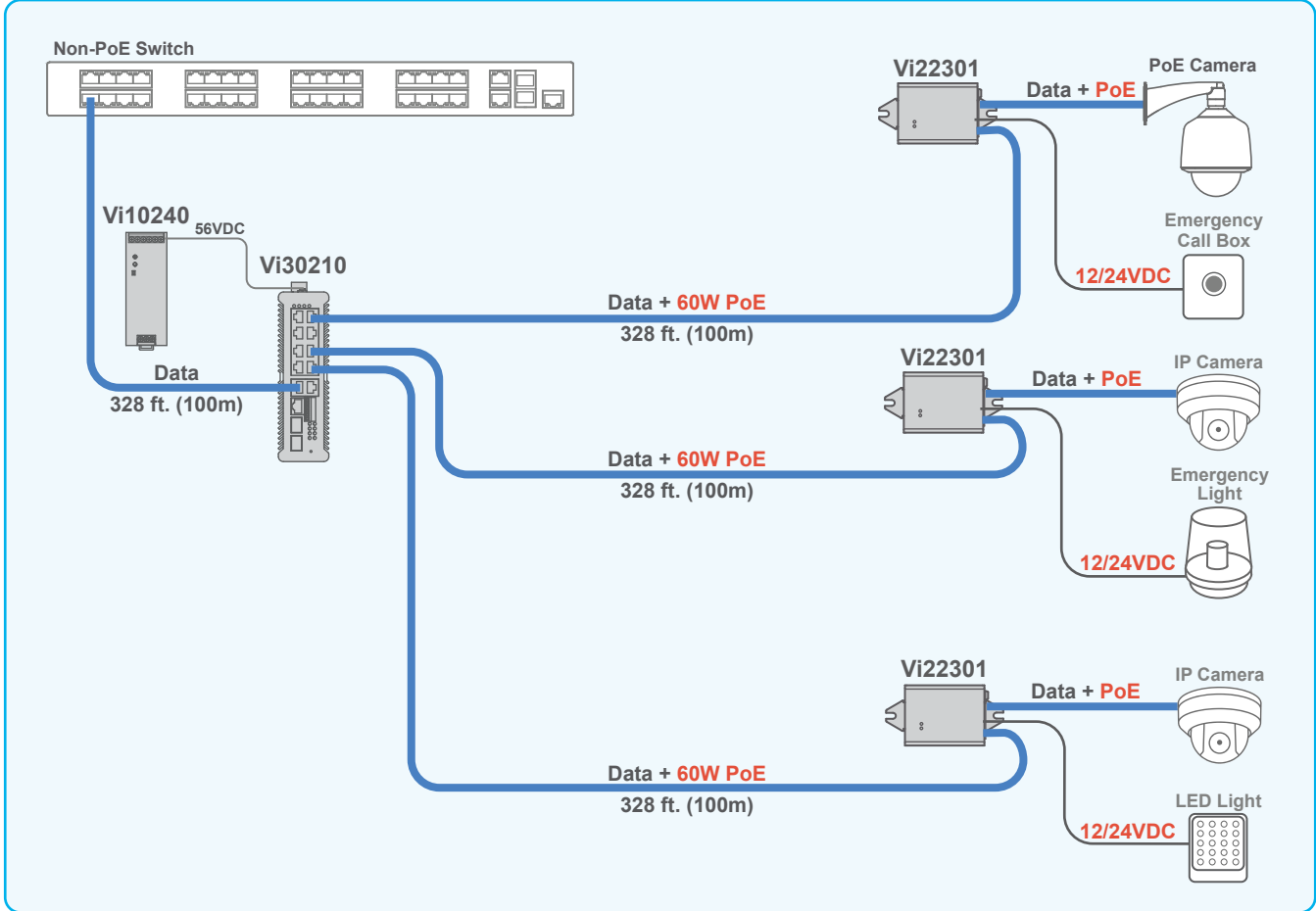


— Cat 5/6

## Powering PoE and non-PoE devices distances



The Vi22301 can power a wide range of PoE devices while providing 12VDC or 24VDC to non-PoE devices.