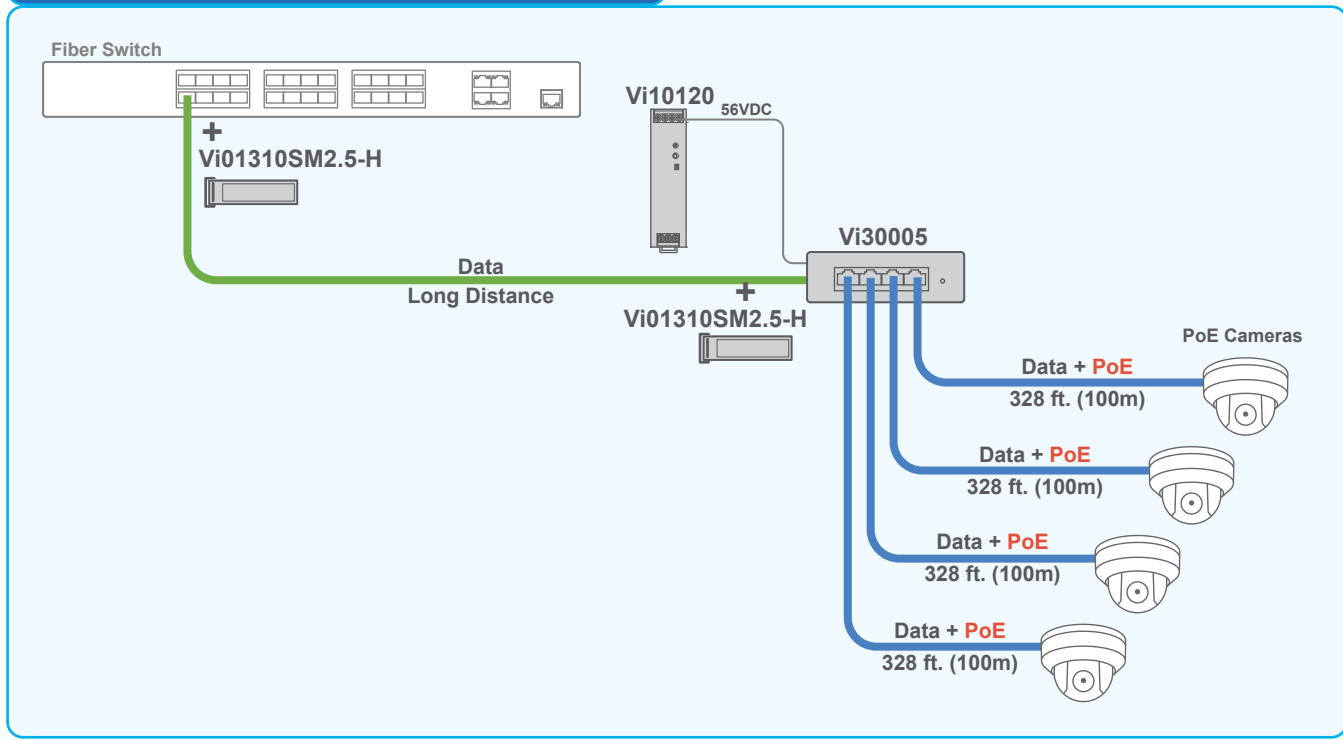


# Vi01310SM2.5-H Application Drawings

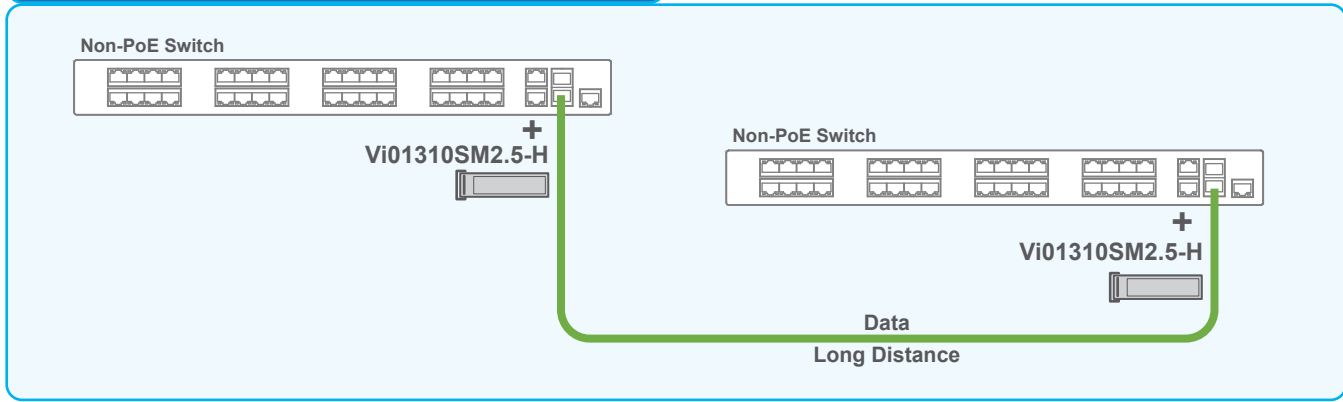
— Cat 5/6  
— Fiber Optics

## Data transmission over Fiber Optic cables



The Vi01310SM2.5-H can provide long distance connection over fiber cables.

## Data transmission over Fiber Optic cables



The Vi01310SM2.5-H can connect 2 network switches at long distances at 1000Mbps data rate.

