
Vi01000CH

1000Mbps RJ45 Copper Transceiver SFP

Features

- Converts MSA compatible fiber sockets to copper
- 1000Base-T Data transmission
- RJ45 Ethernet port
- Up to 1.25Gbps bi-directional data links
- Hot pluggable SFP footprint
- Extended case temperature range 0°C to +70°C
- Fully metallic enclosure for low EMI
- Low power dissipation (1.05W typical)
- Compact Rj45 connector assembly



Applications

- Add copper Ethernet ports to fiber switches
- Provides copper 1G uplink to devices with only MSA fiber sockets
- 1.25Gbps transmission over Cat 5e or Cat 6

The Vi01000CH is a copper Small Form Pluggable (SFP) transceiver meeting the IEEE 802.3ab standards supporting up to 1000Mbps for transmission distances up to 328 feet (100m). The SFP conforms to MSA physical standards for use in any compatible socket and standardized port wiring configuration for carrying 250Mbps on each pair. The Vi01000CH easily converts network switch fiber ports to Ethernet copper ports allowing the use of Cat 5e/Cat 6 cables already installed or using less costly Cat cables instead of fiber.

Technical Specification*

Electrical

Supply Voltage	3.3 VDC
Current	375ma
Signal Detect	TTL
Compatible With	MSA standards
Cable Type	Cat 5e / Cat 6
Transmission Speed	1.250Mbps
Transmission Distance	328 ft. (100m)

Regulatory

Safety	CE, FCC
Environmental	RoHS

Environmental

Humidity	%90, Non-condensing
Temperature	Operating: 0°C to +70°C Storage: -40°C to +85°C

Mechanical

Dimensions	2.666 x 0.542 x 0.547 in; 67.73 x 13.78 x 13.90 mm (HxWxL)
Weight	0.049lb, 22g
Materials	Metal Alloy

Compatible Models

All networking products with compatible MSA standard sockets

*Specifications subject to change without notice.

Ordering Information

PART No.	Description
Vi01000CH	1000Mbps MSA compatible RJ45 SPF

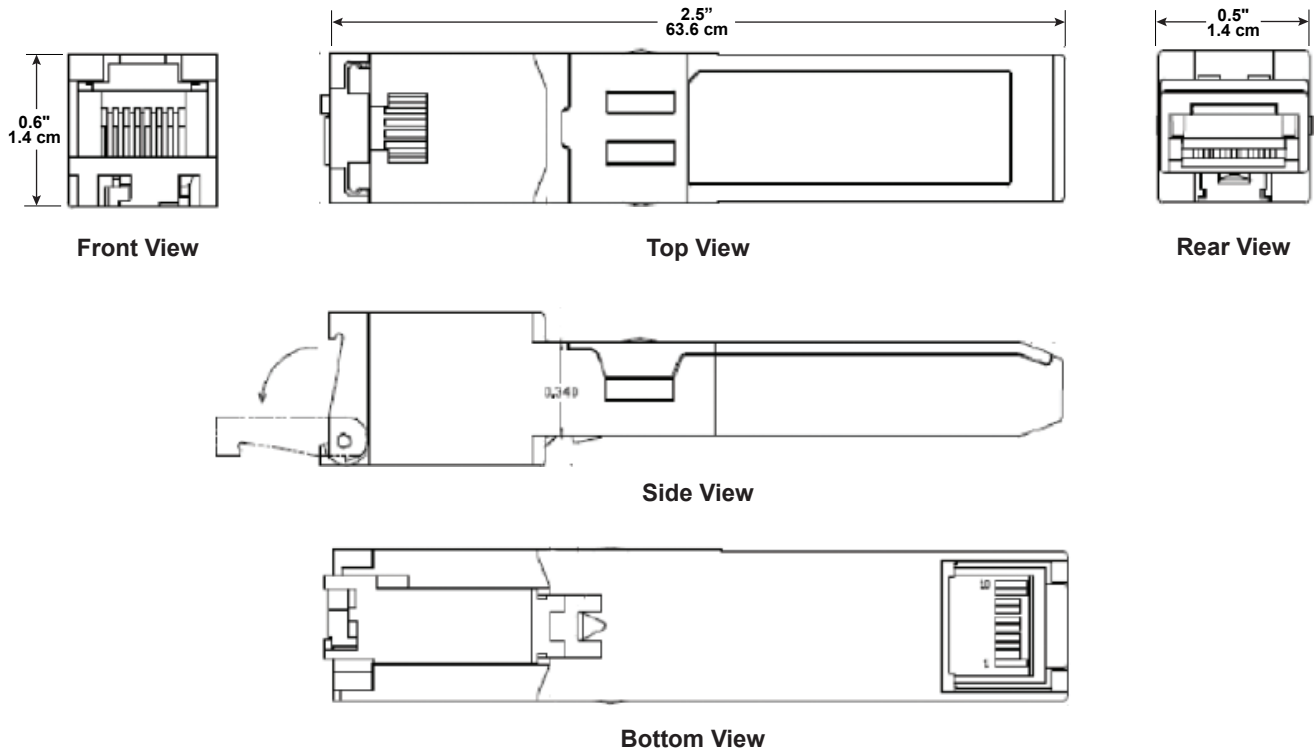


TEL (+1) 858-484-5209 • FAX (+1) 858-484-1205

7810 Trade Street, Suite 100, San Diego, CA 92121, USA • support@vigatron.com • www.vigatron.com

© Copyright 2021 Vigitron, Inc.

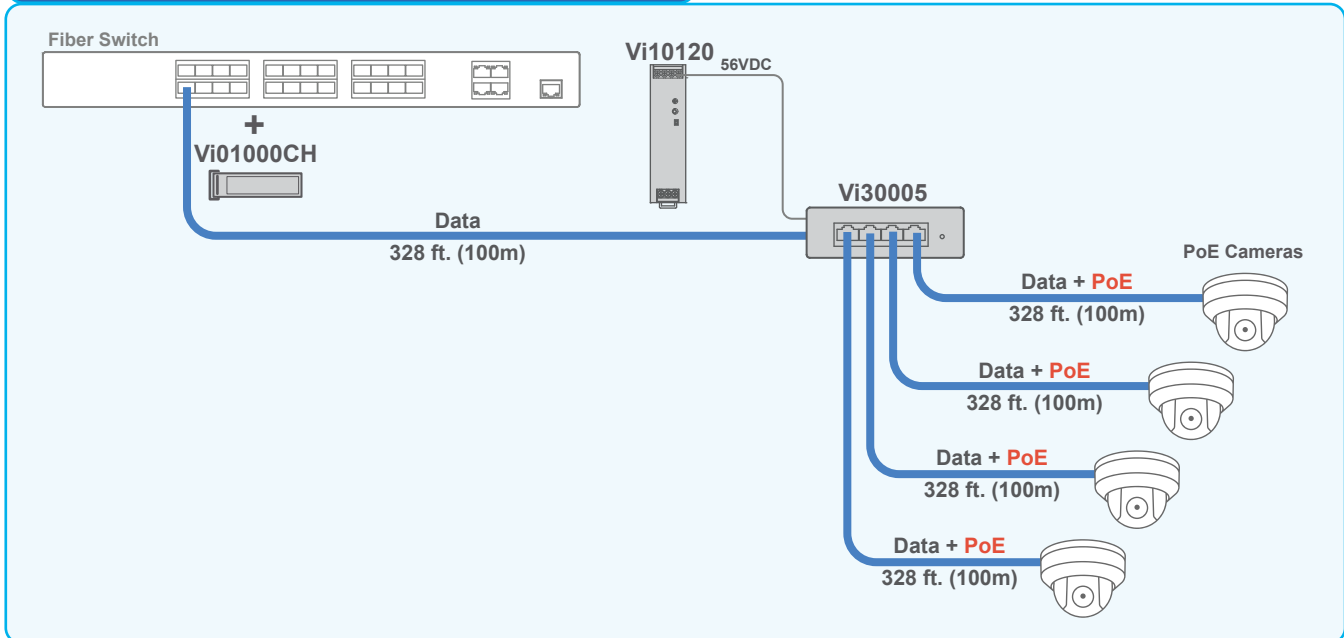
Mechanical Drawings



Application Drawings

— Cat 5/6
— Fiber Optics

Adding Copper connection to a Fiber Switch



The Vi01000CH can be used to add extra copper ports to any fiber switch