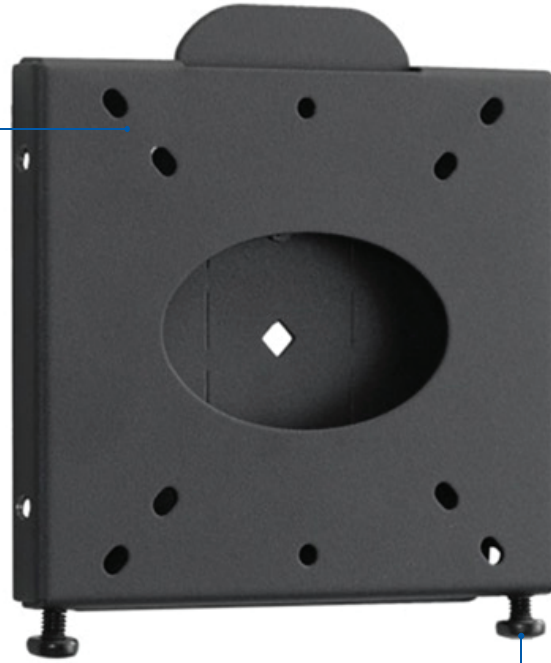


ViewZ Monitor Size 8" ~ 24"

Compact
5" square footprint is easily hidden behind flat-panel

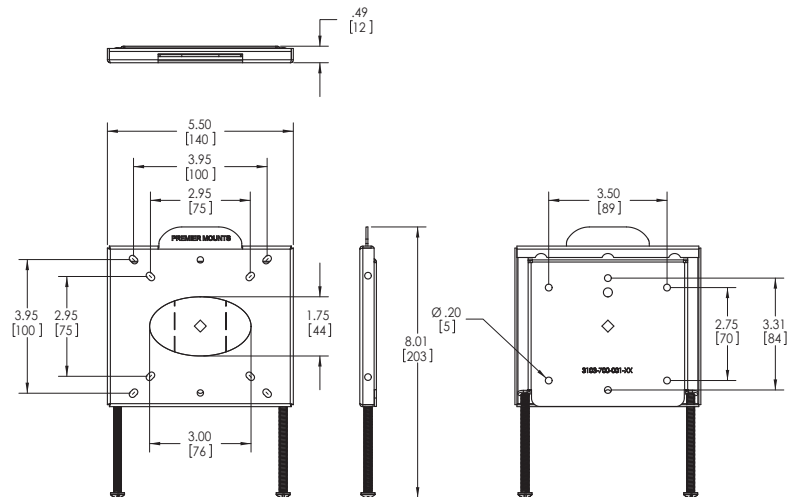


Safety
Capture screws secure flat-panel to wall plate



VZ-WM05 ADVANTAGES:

- Low-profile design
- Square footprint is easily hidden behind flat-panel
- Simple two-piece design for fast assembly
- Captive screws secure flat-panel to wall plate
- Universal hardware pack includes innovative universal spacers and M4-M10 screws



MODEL #	VZ-WM05
Display Range	8" - 24"
Weight	1.4 lbs
Weight Capacity	50 lbs. (22.68kg)
Width	5.50"
Height	5.31"
Mounting Pattern Type	VESA
Mounting Patterns	75 x 75(Min) ~ 100 x 100(Max)

Contact ViewZ

- Address: 1220 N.Kraemer Blvd, Anaheim, CA, 92806
- Phone: (714)630-3380, Fax: (714)630-2335
- Sales: sales@viewzusa.com
- Specifications subject to change without notice.