

**VON DUPRIN®**

# 990 Series Outside Trim

Service manual



# Contents

3	General information
3	Introduction
3	How to order
3	Contact
4	992/994/996 trim levers
4	Standard levers
4	Decorative levers
5	M collection levers
5	990 series finishes
6	992/994/996 trims
6	990EO & 990DT trim
7	990NL-R&V & 990NL-M trim
8	990TP-R&V & 990TP-BE-R&V trim
9	990TP-M & 990TP-BE-M trim
10	991K-R&V trim
11	991K-BE-R&V trim
12	991K-NL-R&V trim
13	991K-M & 991K-M-BE trim
13	991K-NL-M & 991K-DT trim
15	992L-R&V trim
16	992L-BE-R&V trim
17	992L-NL-R&V trim
18	992L-M & 992L-BE-M trim
19	992L replacement cam kit
20	994/996L-DT & 994/996L-NL trim
21	994L-R&V & 994L-R&V-BE trim
22	994L-M & 994L-M-BE trim
23	996L-R&V & 996L-R&V-BE trim
24	996L-M & 996L-M-BE trim
25	E996L-R&V trim
26	E996L-M trim

# General information

## Introduction

This manual contains a listing of replaceable parts and assemblies for the 990 Series Trims.

## How to order

Some parts are sold separately. Other items are available as part of a kit or multiple quantity package.

For the best possible service when ordering replacement parts or assemblies, please provide the following information:

- Part number or assembly number
- Description
- Quantity needed
- Finish desired (if available finished)
- Date of original purchase (if known)

This manual reflects the product as sold in July 2022. Because of changes to the product and/or manufacturing process, part numbers can change.

## Contact

To find out the name of your local Von Duprin distributor or sales representative, contact:

Von Duprin Division

Allegion

2720 Tobey Drive, Indianapolis, Indiana 46219

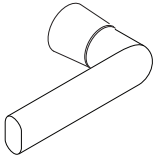
Phone: (877) 671-7011

## Part Number and Availability Changes

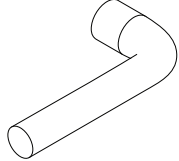
This manual was designed to help illustrate the replacement parts and kits that are available for sale. Because of changes to the product and/or manufacturing process, part numbers and availability can change over time.

# 992/994/996 trim levers

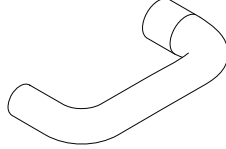
## Standard levers



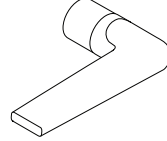
#01



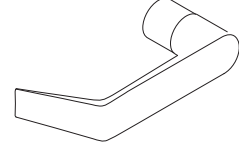
#02



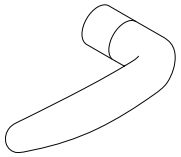
#03



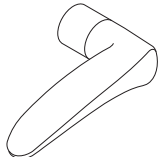
#05



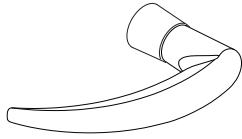
#06



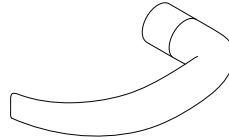
#07



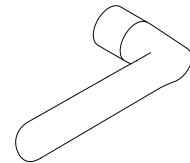
#12



#16

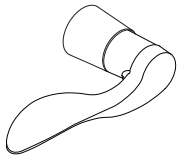


#17

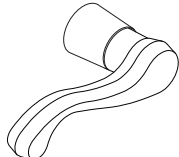


#18

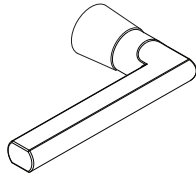
## Decorative levers



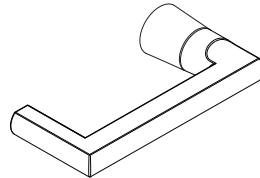
ACC



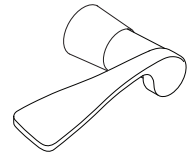
AST



LAT



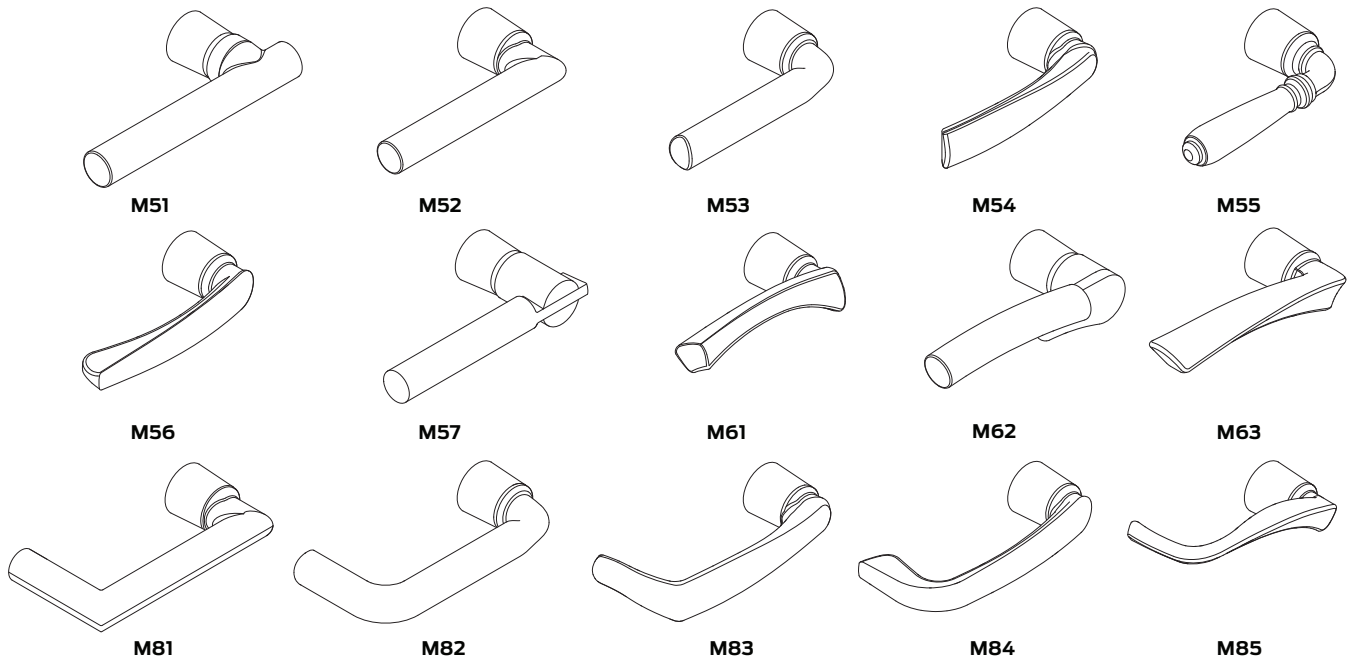
LON



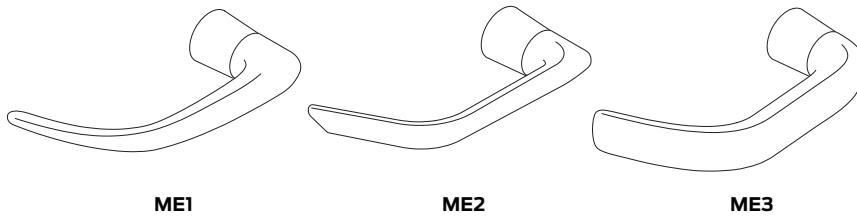
MER

990 series finishes

M series levers



M series, ergonomic levers



990 series finishes

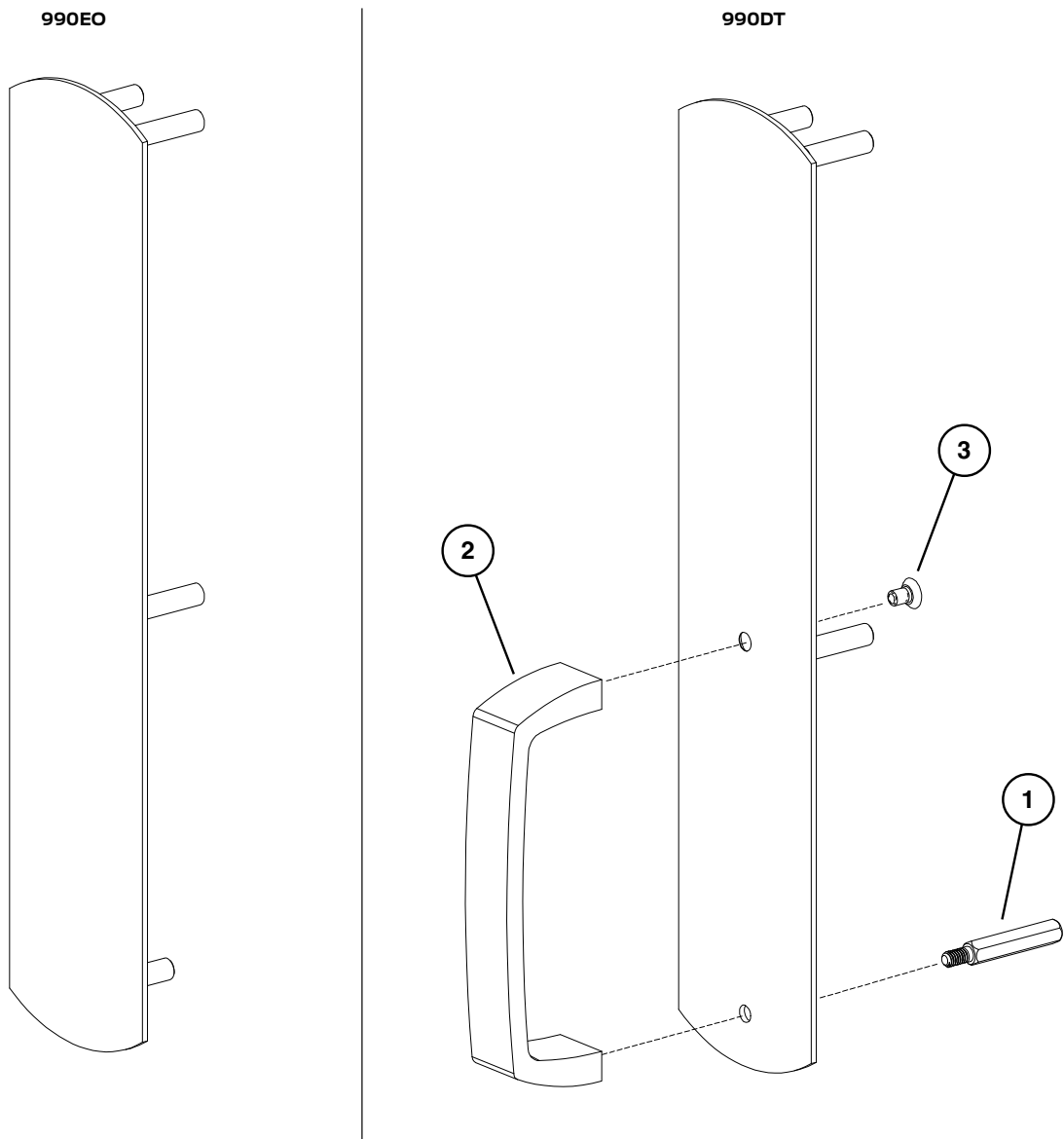
U.S. std reference	BHMA reference	Description
US3	605	Polished Brass
US4	606	Dull Brass
US10	612	Dull Bronze
US15	619	Satin Nickel
US26	625	Polished Chrome
US26D	626	Dull Chrome
US28	628	Anodized Alum. (Clear)
US32D	630	Satin Stainless Steel
313AN	710	Powder Coat (313) Dark Bronze
315AN	711	Powder Coat (Black)

# 992/994/996 trims

## 990EO & 990DT trim

Item no.	Quantity	Part no.	Description	Finish
	1	900853	990 Screw Package 1-3/4" - 2-1/4" Dr	
1	1	956760	Hex Stud - 990 Trim	
2	1	972466	Pull Grip	X
3	1	963579	#12-24 x 3/8" UFPHMS	

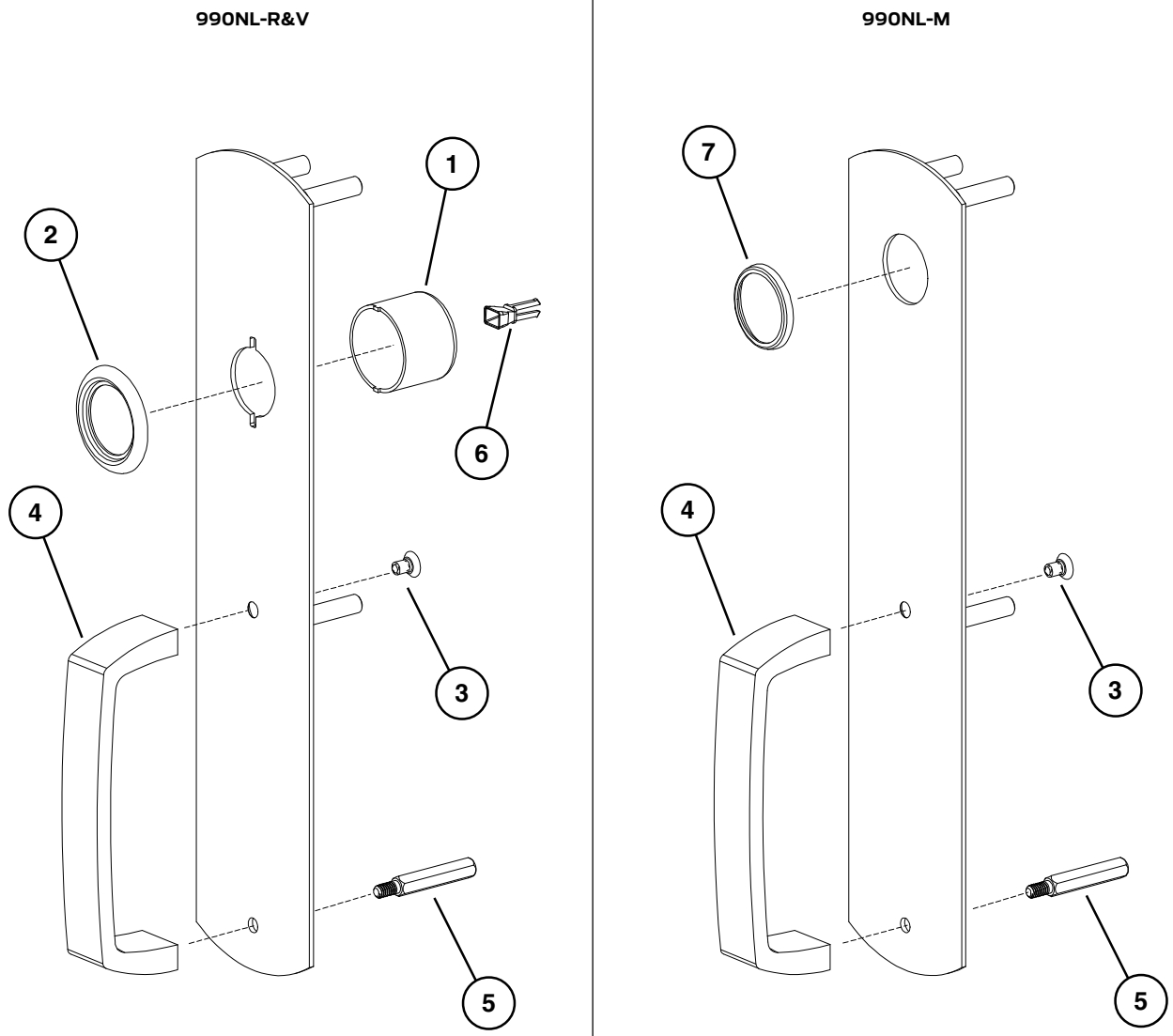
X in "Finish" column designates finished items; finish must be specified when ordering.



## 990NL-R&V & 990NL-M trim

Item no.	Quantity	Part no.	Description	Finish
	1	900853	990 Screw Package 1-3/4" - 2-1/4" Dr	
1	1	968201	Cylinder Retaining Cup	
2	1	965226	Cylinder Collar - R&V	
3	1	963579	#12-24x 3/8" UFPHMS	
4	1	972469	Pull Grip	X
5	1	956760	Hex Stud - 990 Trim	
6	1	050156	Tailpiece Guide (Pkg of 10)	
7	1	961267	Cylinder Collar - Mortise	

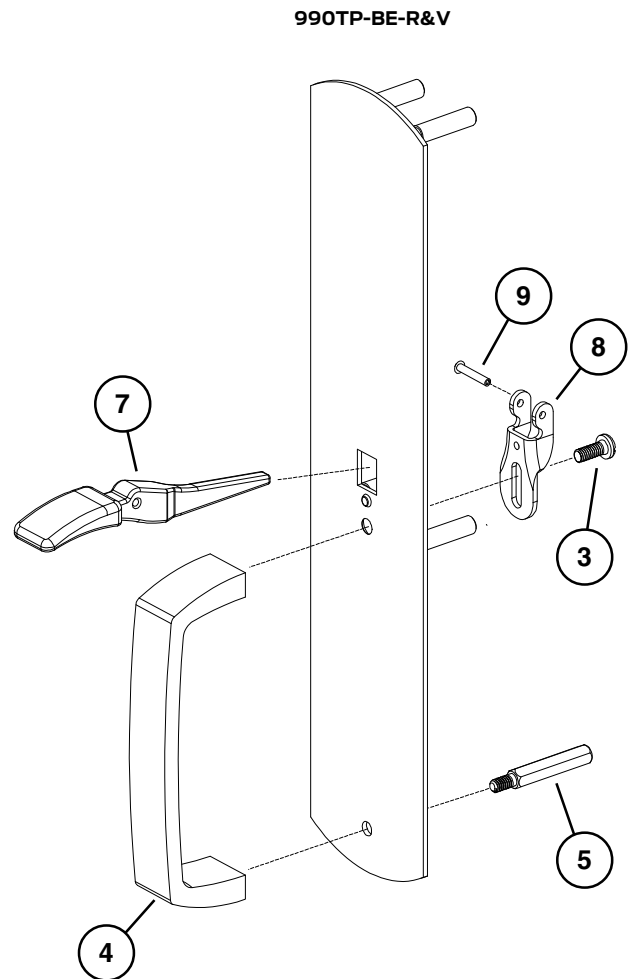
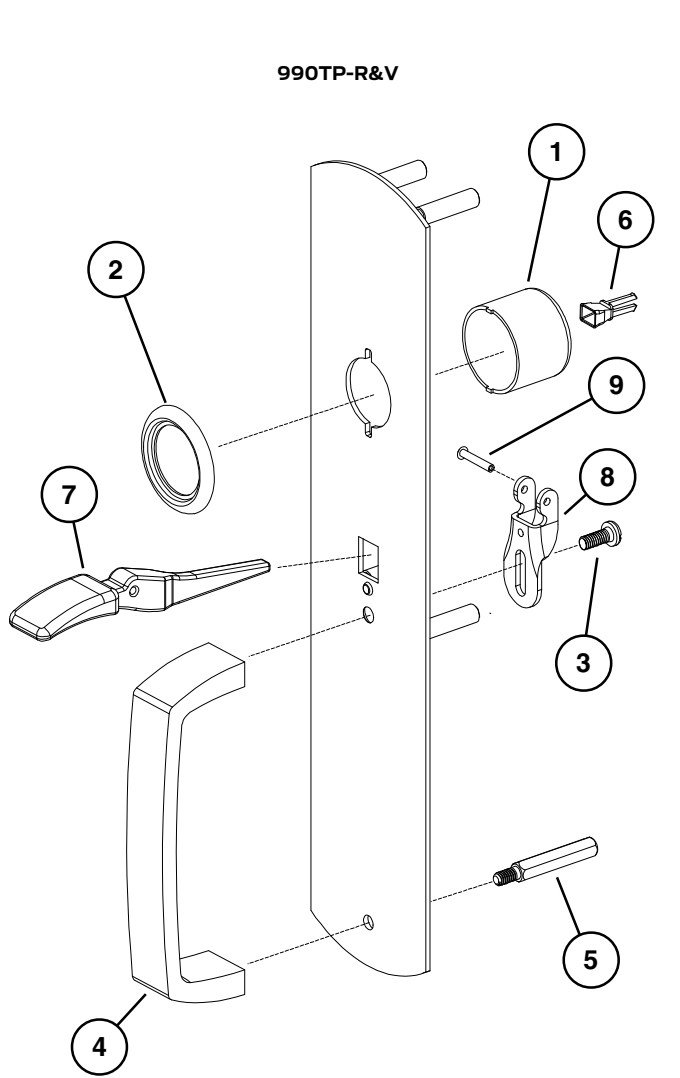
X in "Finish" column designates finished items; finish must be specified when ordering.



## 990TP-R&V & 990TP-BE-R&V trim

Item no.	Quantity	Part no.	Description	Finish
	1	900853	990 Screw Package 1-3/4" - 2-1/4" Dr	
1	1	968201	Cylinder Retaining Cup	
2	1	965226	Cylinder Collar	
3	1	965237	TP Bracket Screw	
4	1	972469	Pull Grip	X
5	1	956760	Hex Stud - 990 Trim	
6	1	050156	Tailpiece Guide (Pkg of 10)	
7	1	970488	Thumbpiece - R&V	X
8	1	969353	Thumbpiece Bracket	
9	1	959603	Thumbpiece Axle	

X in "Finish" column designates finished items; finish must be specified when ordering.

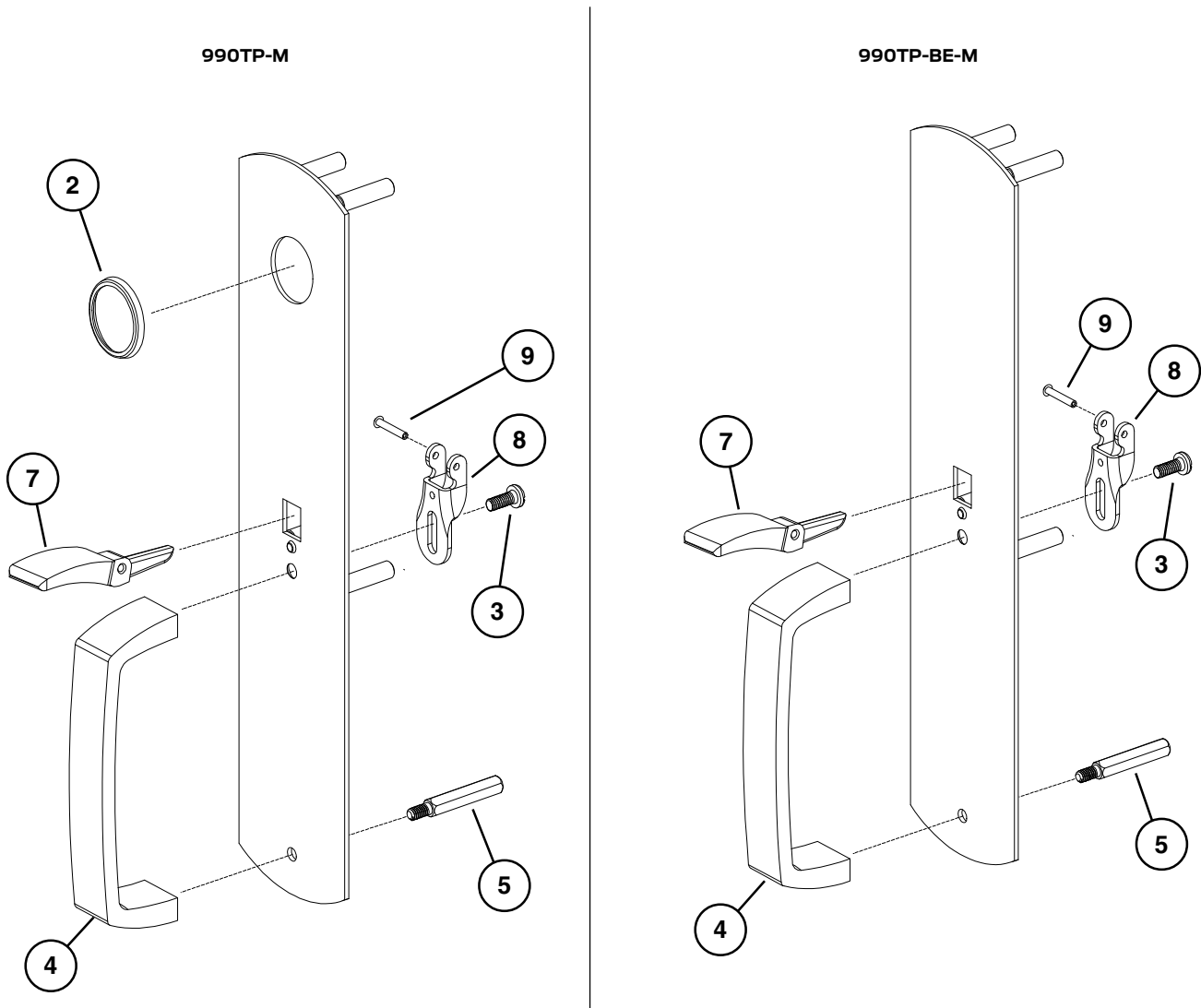




## 990TP-M & 990TP-BE-M trim

Item no.	Quantity	Part no.	Description	Finish
	1	900853	990 Screw Package 1-3/4" - 2-1/4" Dr	
2	1	961267	Cylinder Collar	
3	1	965237	TP Bracket Screw	
4	1	972469	Pull Grip	X
5	1	956760	Hex Stud - 990 Trim	
7	1	970950	Thumbpiece - Mortise	X
8	1	969353	Thumbpiece Bracket	
9	1	959603	Thumbpiece Axle	

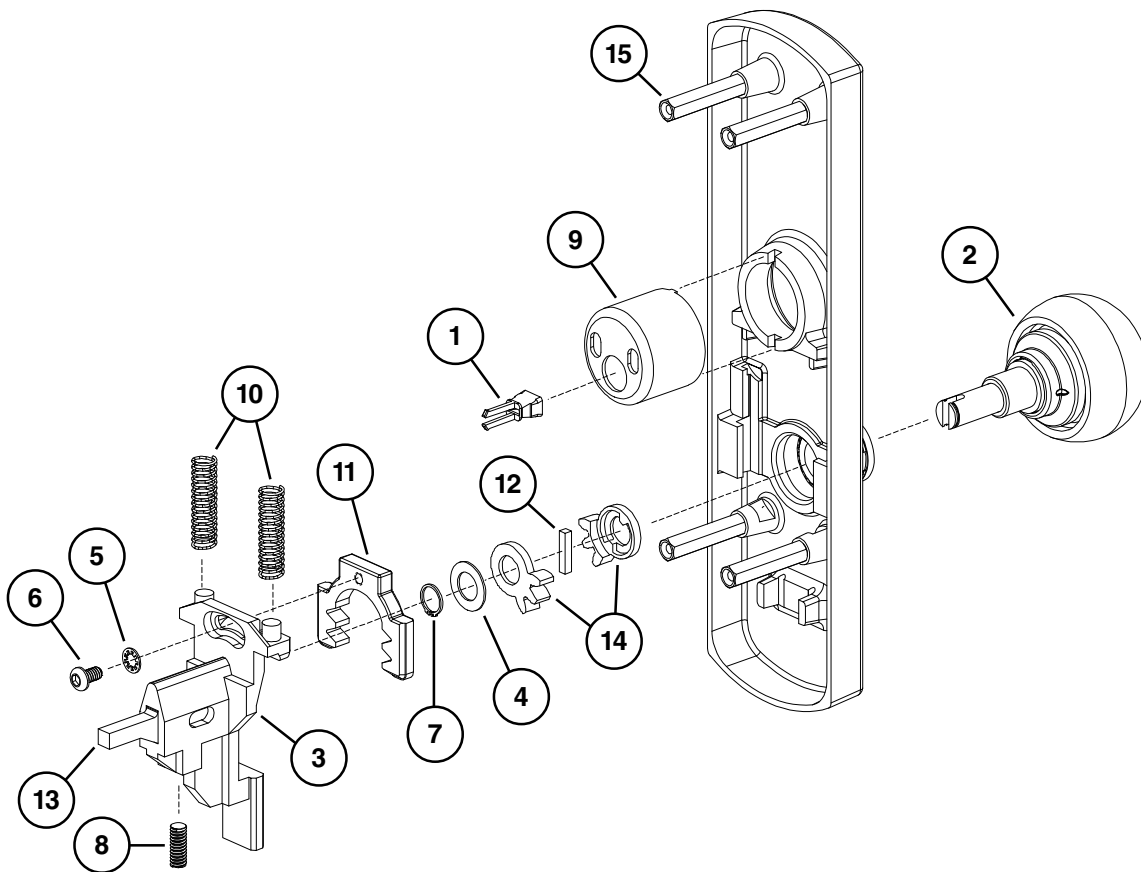
X in "Finish" column designates finished items; finish must be specified when ordering.



## 991K-R&V trim

Item no.	Quantity	Part no.	Description	Finish
	1	900920	991/992/994/996 Screw Package	
1	1	050156	Tailpiece Guide (Pkg of 10)	
2	1	110537	Orbit Knob Assembly - 991K	
3	1	110768	Slider Sub-Assembly - 991K-R/V	
4	1	963105	Flat Washer - 992K-DT/NL/BE/992L	
5	1	963925	#10 Internal Tooth Lock Washer - 991K/992L	
6	1	964086	10-24 x 3/8" Btn Hd Cap Screw - 991K/992L	
7	1	964285	Retaining Ring - 991K-DT/NL/BE/992L	
8	1	964353	1/4-20 x 5/8" Socket Set Screw	
9	1	968201	Cylinder Retaining Cup	
10	1	969012	Spring - 991K	
11	1	969537	Slider Rack - 991K	
12	1	969544	Straight Key - 991K	
13	1	969545	R&V Finger - 991K/992L	
14	1	969551	Pinion Gear - 991K	
15	1	971440	Hex Stud - 991K/992L	

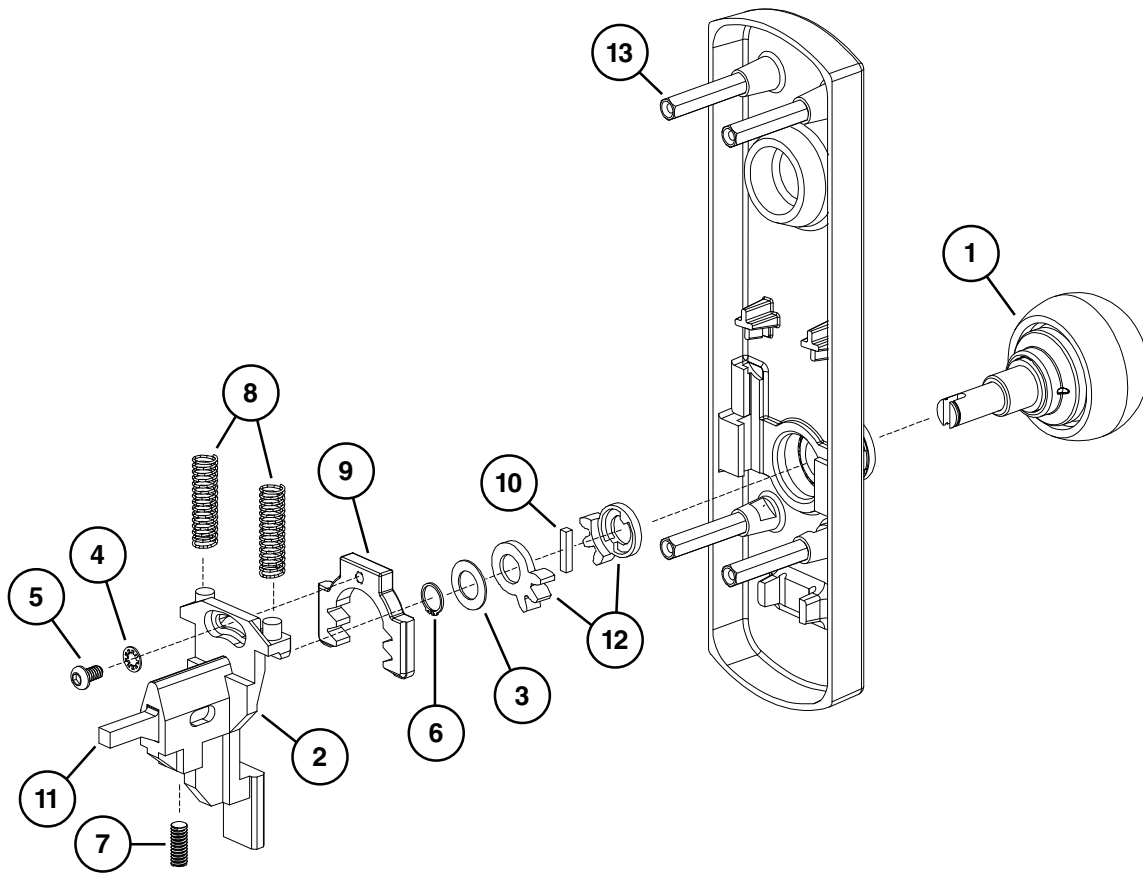
X in "Finish" column designates finished items; finish must be specified when ordering.



### 991K-BE-R&V trim

Item no.	Quantity	Part no.	Description	Finish
	1	900920	991/992/994/996 Screw Package	
1	1	110537	Orbit Knob Assembly - 991K	
2	1	110768	Slider Sub-Assembly - 991K-R/V	
3	1	963105	Flat Washer - 992K-DT/NL/BE/992L	
4	1	963925	#10 Internal Tooth Lock Washer - 991K/992L	
5	1	964086	10-24 x 3/8" Btn Hd Cap Screw - 991K/992L	
6	1	964285	Retaining Ring - 991K-DT/NL/BE/992L	
7	1	964353	1/4-20 x 5/8" Socket Set Screw	
8	1	969012	Spring - 991K	
9	1	969537	Slider Rack - 991K	
10	1	969544	Straight Key - 991K	
11	1	969545	R&V Finger - 991K/992L	
12	1	969551	Pinion Gear - 991K	
13	1	971440	Hex Stud - 991K/992L	

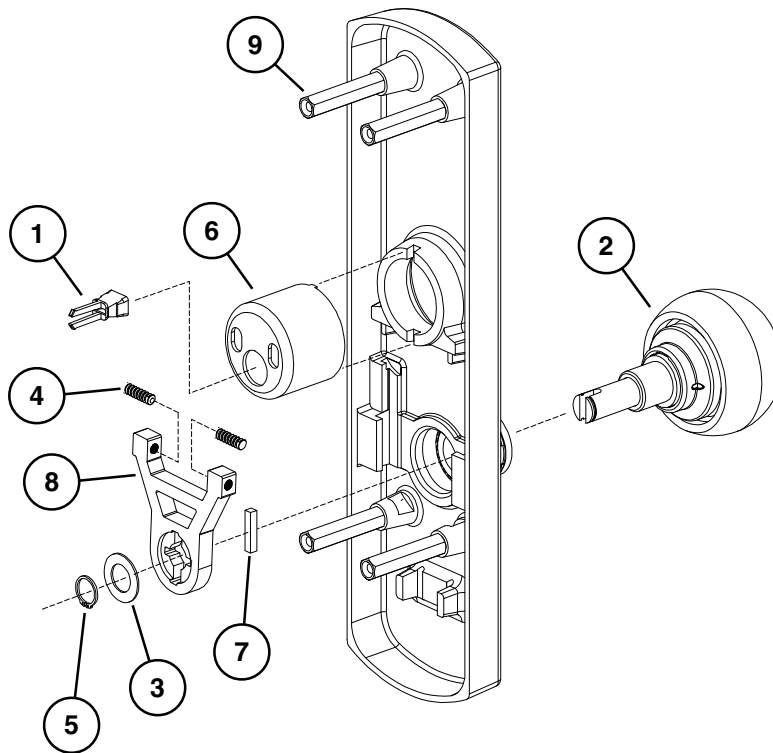
X in "Finish" column designates finished items; finish must be specified when ordering.



## 991K-NL-R&V trim

Item no.	Quantity	Part no.	Description	Finish
	1	900920	991/992/994/996 Screw Package	
1	1	050156	Tailpiece Guide (Pkg of 10)	
2	1	110537	Orbit Knob Assembly - 991K	X
3	1	963105	Flat Washer - 992K-DT/NL/BE/992L	
4	1	964183	10-24 x 1/2" Socket Set Cap Screw	
5	1	964285	Retaining Ring - 991K-DT/NL/BE/992L	
6	1	968201	Cylinder Retaining Cup	
7	1	969544	Straight Key - 991K	
8	1	970117	DT Yoke - 991K/992L ( DT and NL)	
9	1	971440	Hex Stud - 991K/992L	

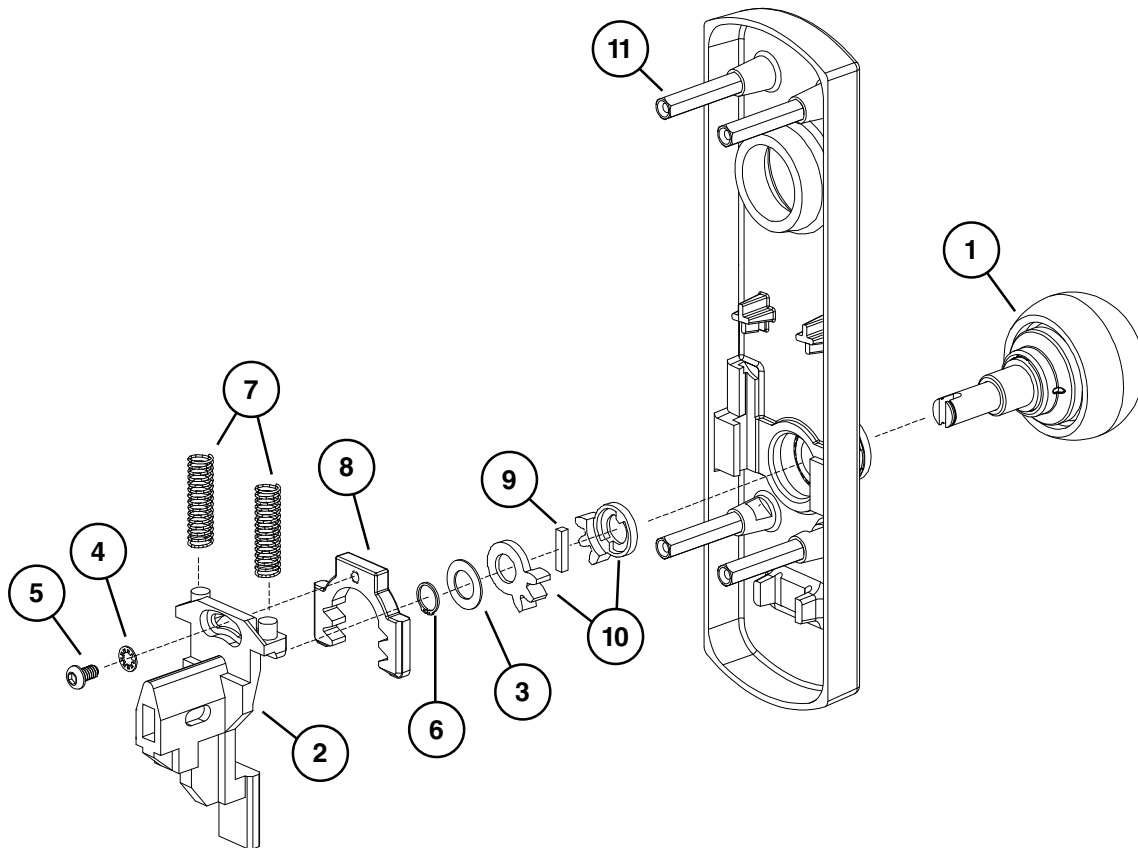
X in "Finish" column designates finished items; finish must be specified when ordering.



## 991K-M & 991K-M-BE trim

Item no.	Quantity	Part no.	Description	Finish
	1	900920	991/992/994/996 Screw Package	
1	1	110537	Orbit Knob Assembly - 991K	
2	1	969535	Slider - 991K-M	
3	1	963105	Flat Washer - 992K-DT/NL/BE/992L	
4	1	963925	#10 Internal Tooth Lock Washer - 991K/992L	
5	1	964086	10-24 x 3/8" Btn Hd Cap Screw - 991K/992L	
6	1	964285	Retaining Ring - 991K-DT/NL/BE/992L	
7	1	969012	Spring - 991K	
8	1	969537	Slider Rack - 991K	
9	1	969544	Straight Key - 991K	
10	1	969551	Pinion Gear - 991K	
11	1	971440	Hex Stud - 991K/992L	

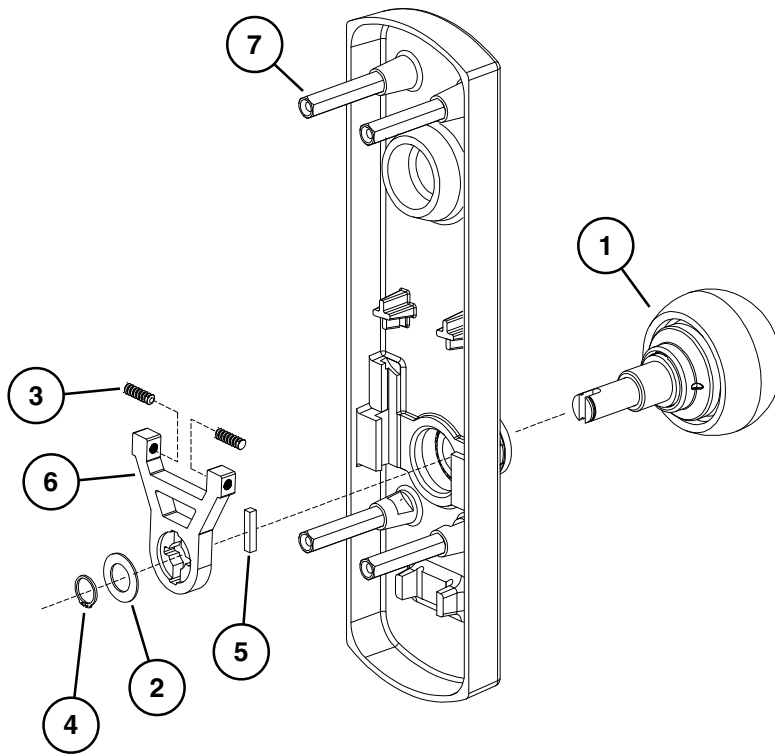
X in "Finish" column designates finished items; finish must be specified when ordering.



## 991K-NL-M & 991K-DT trim

Item no.	Quantity	Part no.	Description	Finish
	1	900920	991/992/994/996 Screw Package	
1	1	110537	Orbit Knob Assembly - 991K	X
2	1	963105	Flat Washer - 992K-DT/NL/BE/992L	
3	1	964183	10-24 x 1/2" Socket Set Cap Screw	
4	1	964285	Retaining Ring - 991K-DT/NL/BE/992L	
5	1	969544	Straight Key - 991K	
6	1	970117	DT Yoke - 991K/992L ( DT and NL)	
7	1	971440	Hex Stud - 991K/992L	

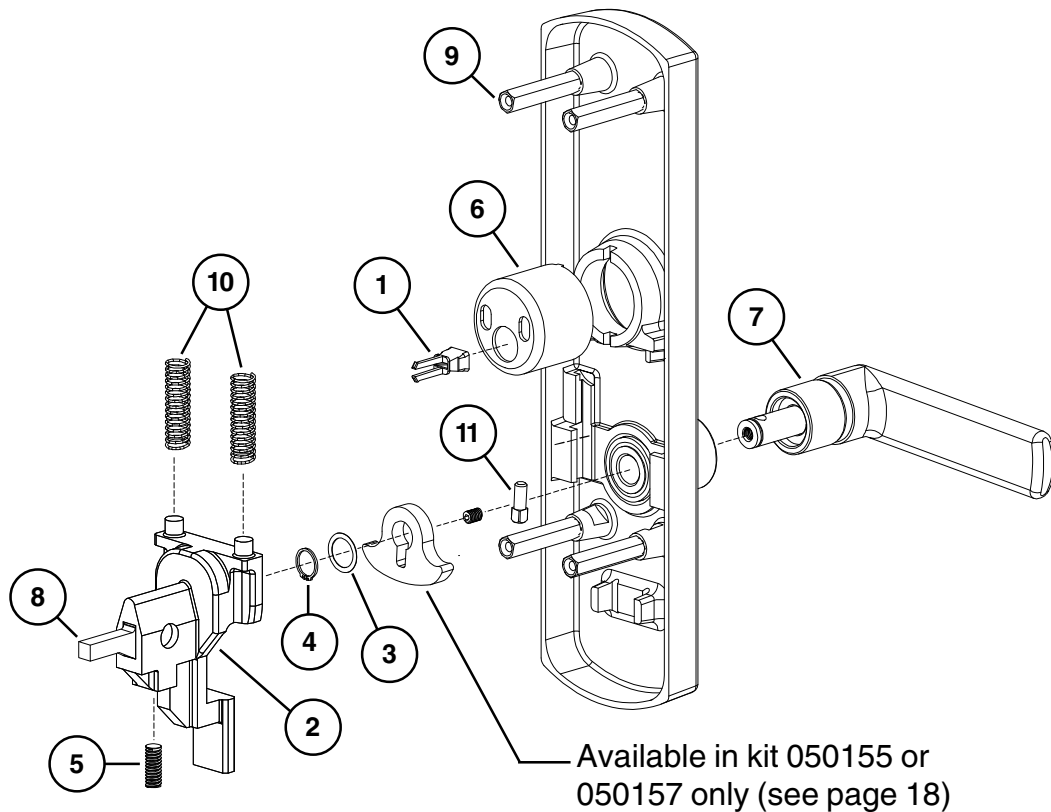
X in "Finish" column designates finished items; finish must be specified when ordering.



992L-R&V trim

Item no.	Quantity	Part no.	Description	Finish
	1	900920	991/992/994/996 Screw Package	
1	1	050156	Tailpiece Guide (Pkg of 10)	
2	1	110769	Slider Sub-Assembly - 992L-R/V	
3	1	090103	Wave Spring Washer - 992L Pkg/10	
4	1	964285	Retaining Ring - 991K-DT/NL/BE/992L	
5	1	964353	1/4-20 x 5/8" Socket Set Screw	
6	1	968201	Cylinder Retaining Cup	
7	1	969541	Lever Bushing - 992/994/996	
8	1	969545	R&V Finger - 991K/992L	
9	4	971440	Hex Stud - 991K/992L	
10	2	971573	Lift Spring - 992/994/996	
11	1	050611	Shear Pin - 992/994/996 w/Retaining Ring	

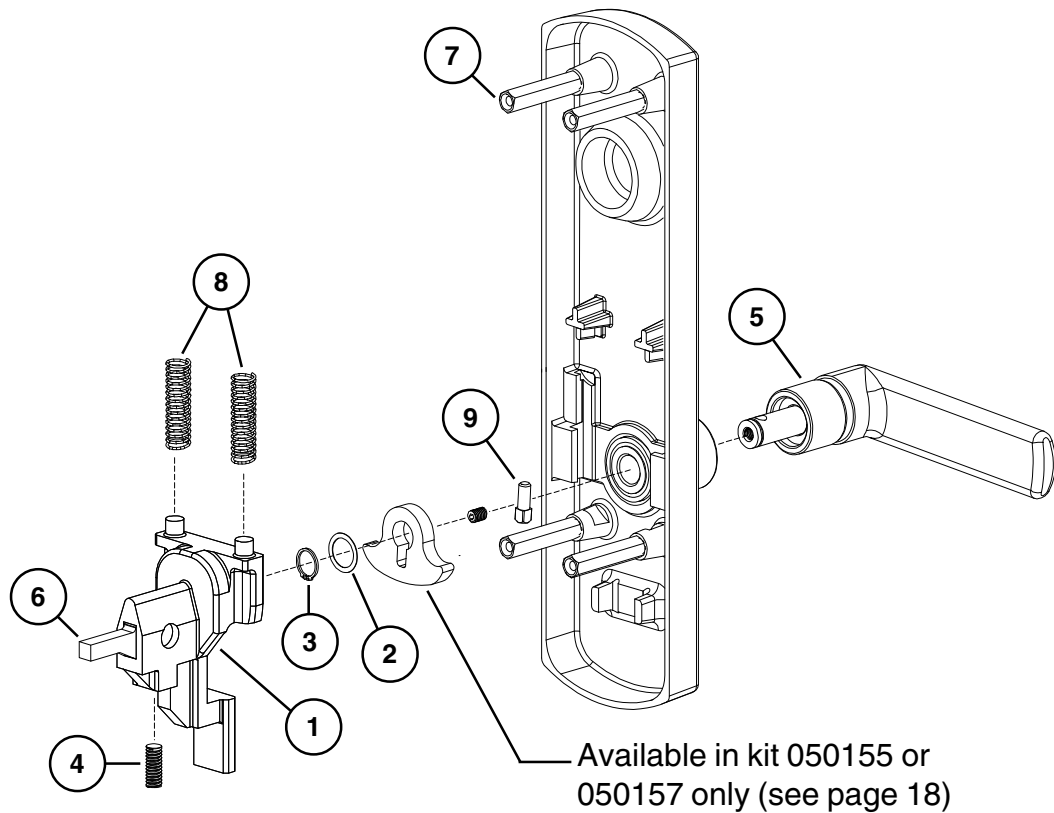
X in "Finish" column designates finished items; finish must be specified when ordering.



992L-BE-R&V trim

Item no.	Quantity	Part no.	Description	Finish
	1	900920	991/992/994/996 Screw Package	
1	1	110769	Slider Sub-Assembly - 992L-R/V	
2	1	090103	Wave Spring Washer - 992L Pkg/10	
3	1	964285	Retaining Ring - 991K-DT/NL/BE/992L	
4	1	964353	1/4-20 x 5/8" Socket Set Screw	
5	1	969541	Lever Bushing - 992/994/996	
6	1	969545	R&V Finger - 991K/992L	
7	4	971440	Hex Stud - 991K/992L	
8	2	971573	Lift Spring - 992/994/996	
9	1	050611	Shear Pin - 992/994/996 w/Retaining Ring	

X in "Finish" column designates finished items; finish must be specified when ordering.



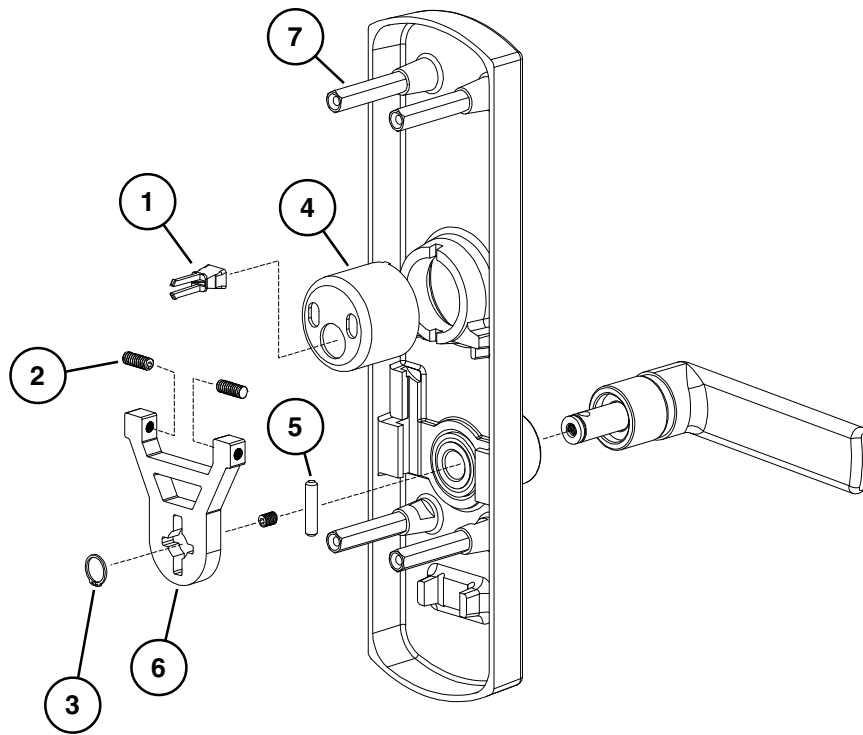


992/994/996 trims

992L-NL-R&V trim

Item no.	Quantity	Part no.	Description	Finish
	1	900920	991/992/994/996 Screw Package	
1	1	050156	Tailpiece Guide (Pkg of 10)	
2	1	964183	10-24 x 1/2" Socket Set Cap Screw	
3	1	964285	Retaining Ring - 991K-DT/NL/BE/992L	
4	1	968201	Cylinder Retaining Cup	
5	1	971015	DT Cam Pin - 992/994/996	
6	1	970117	DT Yoke - 991K/992L ( DT and NL)	
7	1	971440	Hex Stud - 991K/992L	

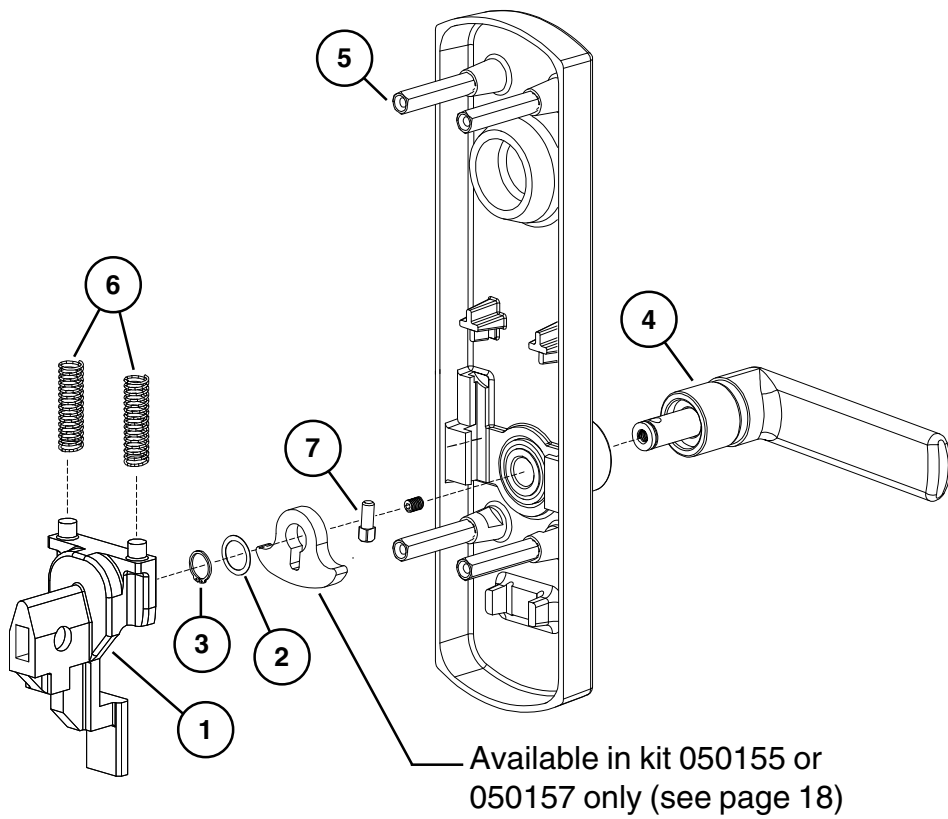
X in "Finish" column designates finished items; finish must be specified when ordering.



992L-M & 992L-BE-M trim

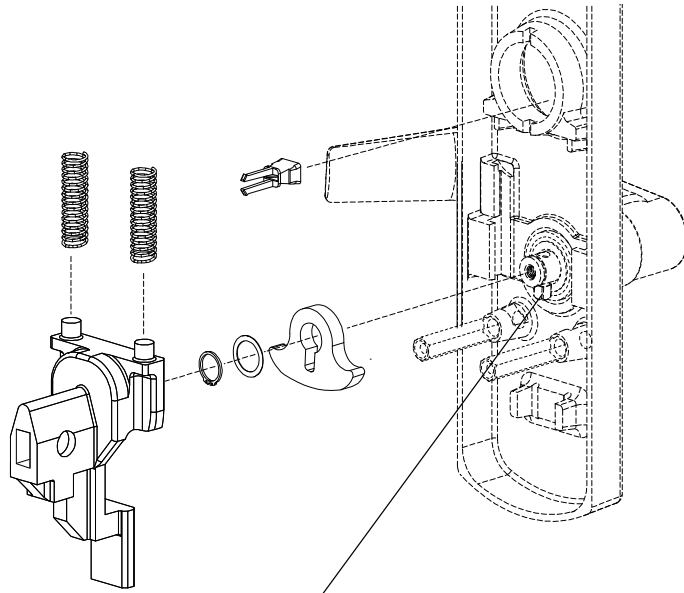
Item no.	Quantity	Part no.	Description	Finish
	1	900920	991/992/994/996 Screw Package	
1	1	971012	Slider Sub-Assembly - 992L-M	
2	1	090103	Wave Spring Washer - 992L Pkg/10	
3	1	964285	Retaining Ring - 991K-DT/NL/BE/992L	
4	1	969541	Lever Bushing - 992/994/996	
5	4	971440	Hex Stud - 991K/992L	
6	2	971573	Lift Spring - 992/994/996	
7	1	050611	Shear Pin - 992/994/996 w/Retaining Ring	

X in "Finish" column designates finished items; finish must be specified when ordering.



992/994/996 trims

992L replacement cam kit w/ slider - 050155



1 black shear pin for 3/16" dia. hole (current) OR  
1 yellow shear pins for 5/32" dia. hole (prior to Sept. 1992)

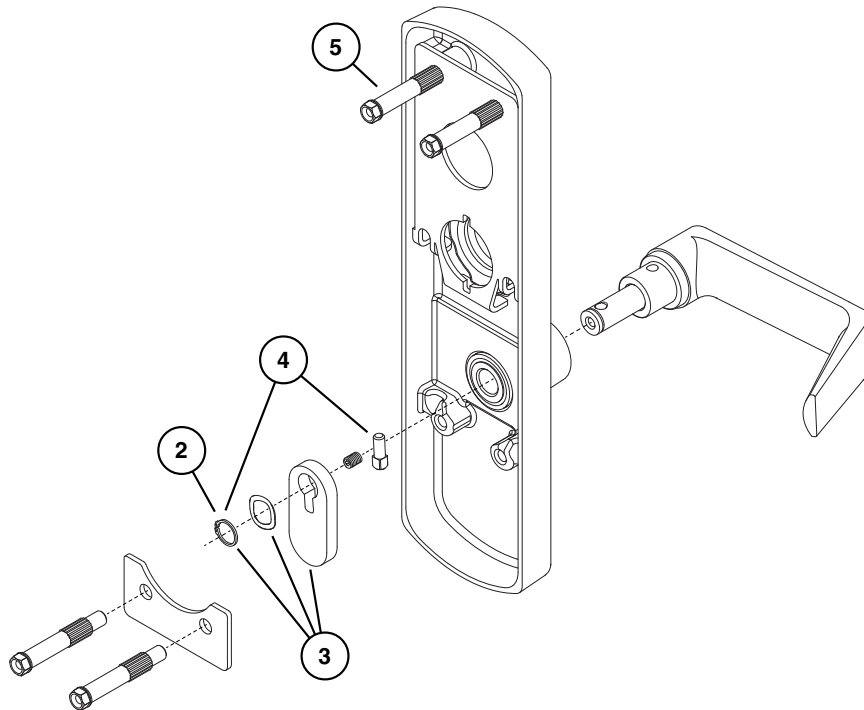
992L replacement cam kit less slider - 050157

992/994/996 trims

994/996L-DT & 994/996L-NL trim

Item no.	Quantity	Part no.	Description	Finish
	1	900920	991/992/994/996 Screw Package	
2	1	964285	Retaining Ring - 994/996L-DT/NL	
3	1	044020	994/996L-DT/NL Retainer Plate Kit	
4	1	050611	994/996L-DT/NL Shear Pin Kit	
5	1	971585	Hex Stud - 991K/992L	

X in "Finish" column designates finished items; finish must be specified when ordering.

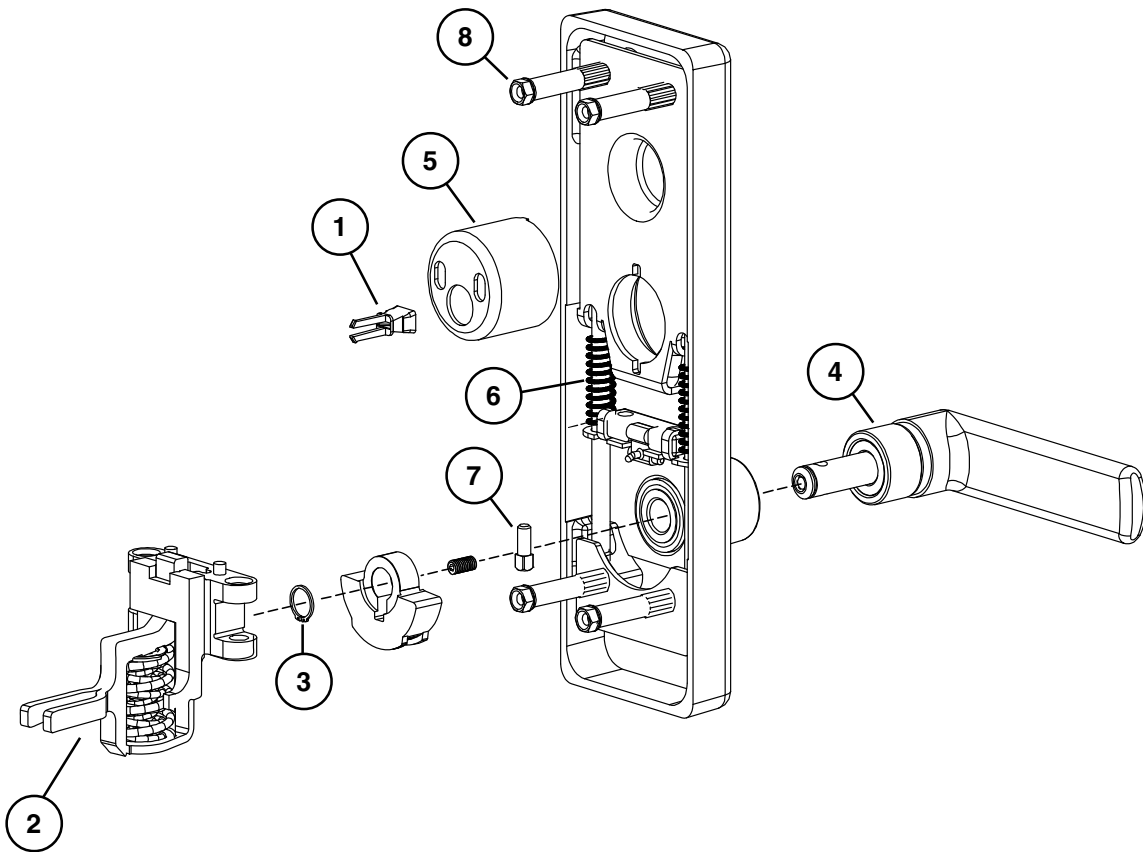


992/994/996 trims

994L-R&V & 994L-R&V-BE trim

Item no.	Quantity	Part no.	Description	Finish
	1	900920	991/992/994/996 Screw Package	
1	1	050156	Tailpiece Guide Lead Kit	
2	1	112461	Slider Sub-Assembly - 994/996L-R/V	
3	1	964285	Retaining Ring - 991K-DT/NL/BE/992L	
4	1	969541	Lever Bushing - 992/994/996	
5	4	968201	Cylinder Retaining Cup - 990 Trim	
6	2	971573	Lift Spring - 992/994/996	
7	1	050611	Shear Pin - 992/994/996 w/Retaining Ring	
8	4	971585	Mounting Stud - 994/996	

X in "Finish" column designates finished items; finish must be specified when ordering.

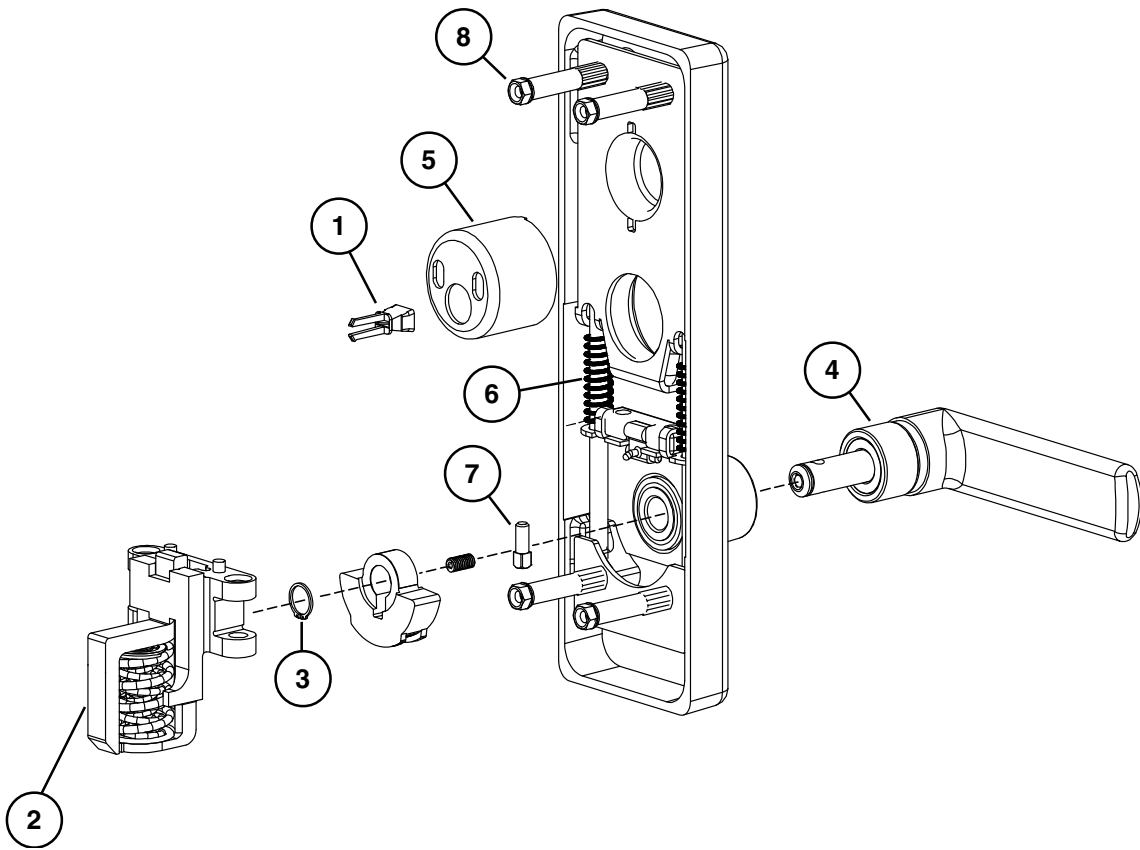


992/994/996 trims

994L-M & 994L-M-BE trim

Item no.	Quantity	Part no.	Description	Finish
	1	900920	991/992/994/996 Screw Package	
1	1	050156	Tailpiece Guide Lead Kit	
2	1	112462	Slider Sub-Assembly - 994/996L-M	
3	1	964285	Retaining Ring - 991K-DT/NL/BE/992L	
4	1	969541	Lever Bushing - 992/994/996	
5	4	968201	Cylinder Retaining Cup - 990 Trim	
6	2	971573	Lift Spring - 992/994/996	
7	1	050611	Shear Pin - 992/994/996 w/Retaining Ring	
8	4	971585	Mounting Stud - 994/996	

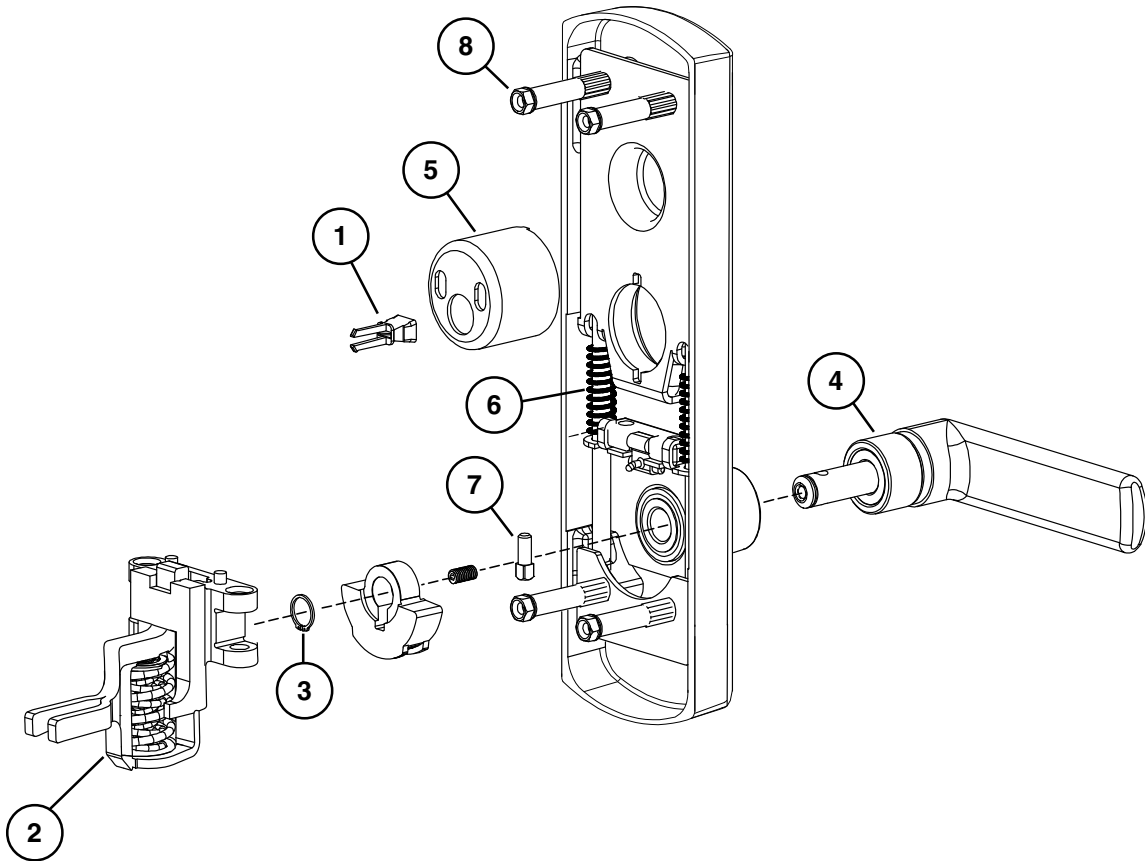
X in "Finish" column designates finished items; finish must be specified when ordering.



## 996L-R&V & 996L-R&V-BE trim

Item no.	Quantity	Part no.	Description	Finish
	1	900920	991/992/994/996 Screw Package	
1	1	050156	Tailpiece Guide Lead Kit	
2	1	112461	Slider Sub-Assembly - 994/996L-R/V	
3	1	964285	Retaining Ring - 991K-DT/NL/BE/992L	
4	1	969541	Lever Bushing - 992/994/996	
5	4	968201	Cylinder Retaining Cup - 990 Trim	
6	2	971573	Lift Spring - 992/994/996	
7	1	050611	Shear Pin - 992/994/996 w/Retaining Ring	
8	4	971585	Mounting Stud - 994/996	

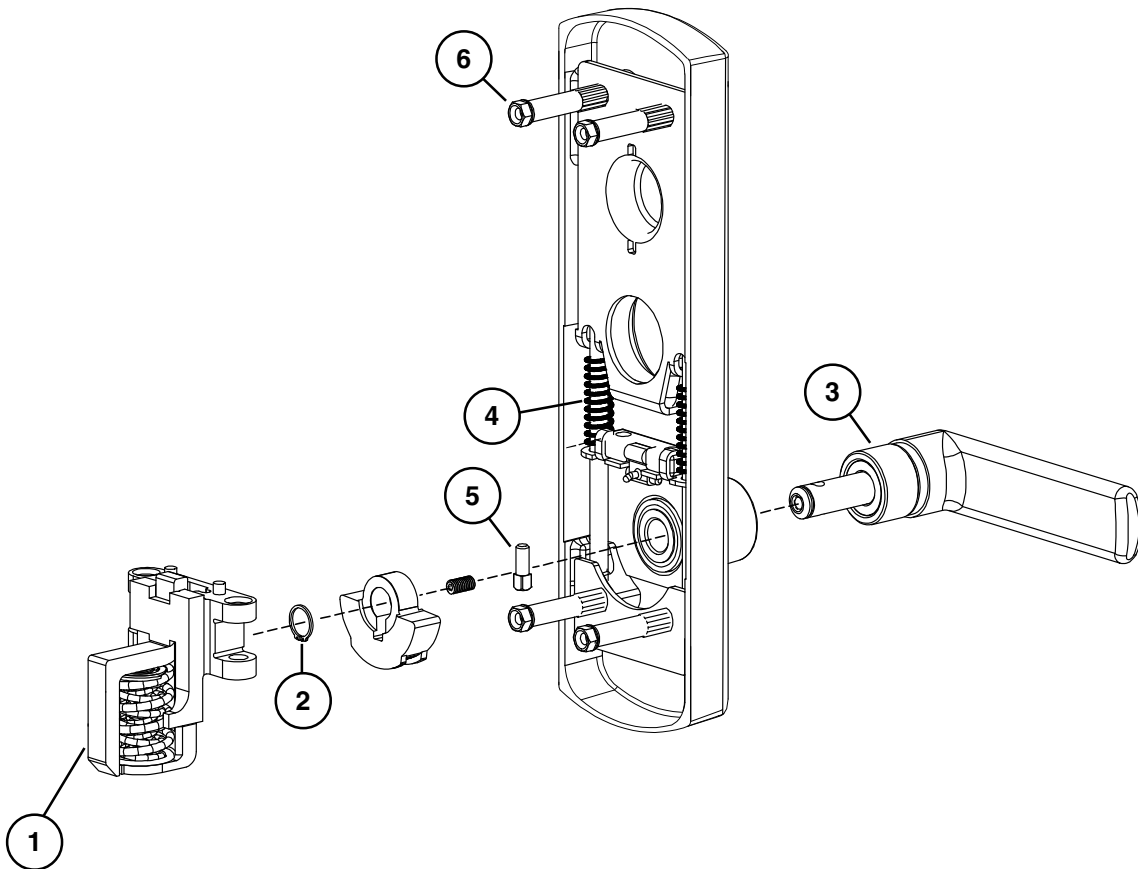
X in "Finish" column designates finished items; finish must be specified when ordering.



## 996L-M & 996L-M-BE trim

Item no.	Quantity	Part no.	Description	Finish
	1	900920	991/992/994/996 Screw Package	
1	1	112462	Slider Sub-Assembly - 994/996L-M	
2	1	964285	Retaining Ring - 991K-DT/NL/BE/992L	
3	1	969541	Lever Bushing - 992/994/996	
4	2	971573	Lift Spring - 992/994/996	
5	1	050611	Shear Pin - 992/994/996 w/Retaining Ring	
6	4	971585	Mounting Stud - 994/996	

X in "Finish" column designates finished items; finish must be specified when ordering.



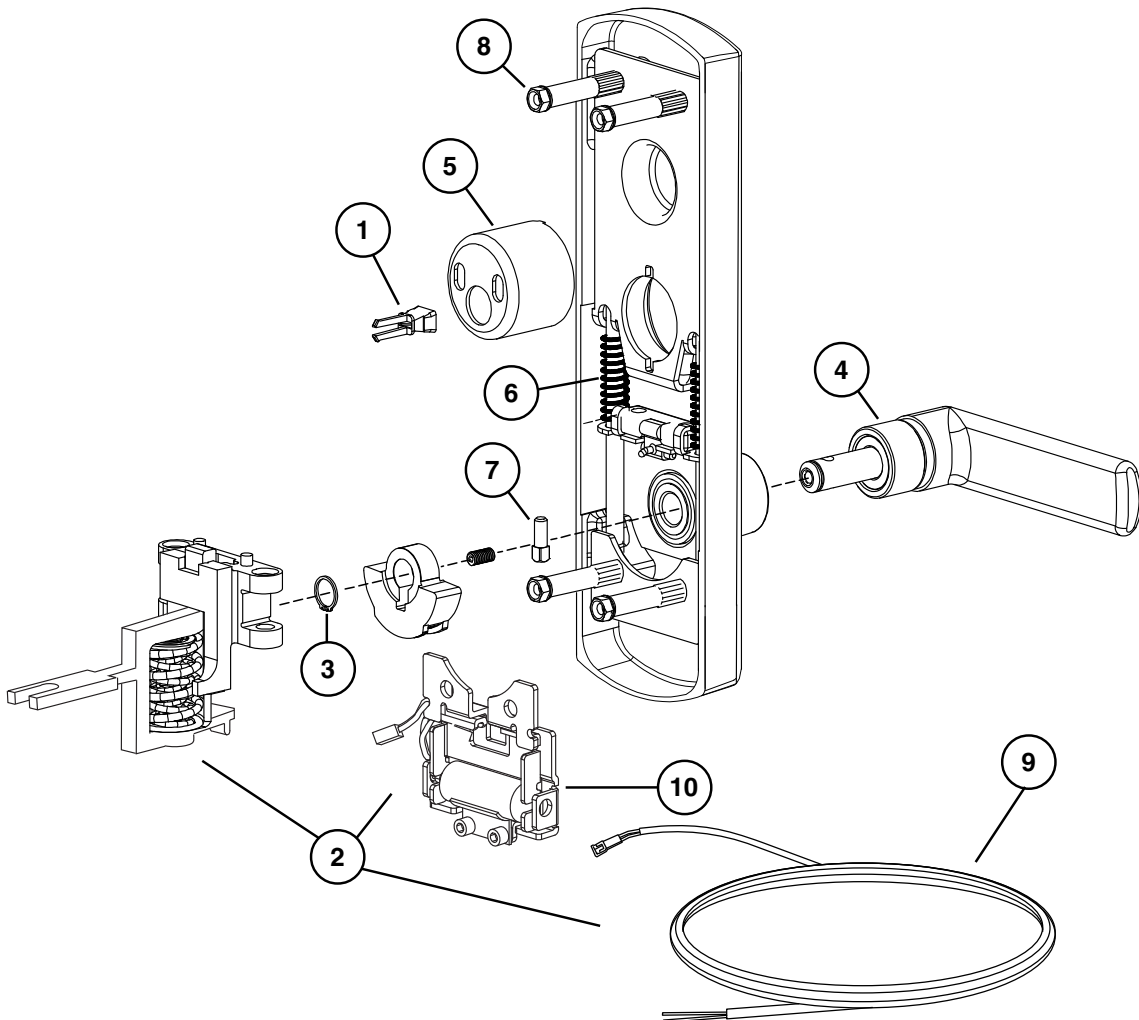


## E996L-R&V trim

Item no.	Quantity	Part no.	Description	Finish
	1	900920	991/992/994/996 Screw Package	
1	1	050156	Tailpiece Guide Lead Kit	
2	1	050672	*E996 R/VC Conv to E Kit	
3	1	964285	Retaining Ring - 991K-DT/NL/BE/992L	
4	1	969541	Lever Bushing - 992/994/996	
5	4	968201	Cylinder Retaining Cup - 990 Trim	
6	2	971573	Lift Spring - 992/994/996	
7	1	050611	Shear Pin - 992/994/996 w/Retaining Ring	
8	4	971585	Mounting Stud - 994/996	
9	1	CABLE.10038	E996 Wire Harness (Cable)	
10	1	050671	E996 Locking Mech Kit (includes solenoid)	

X in "Finish" column designates finished items; finish must be specified when ordering.

\*Kit includes one each of items 2,9,10, plus one NL Drive Screw

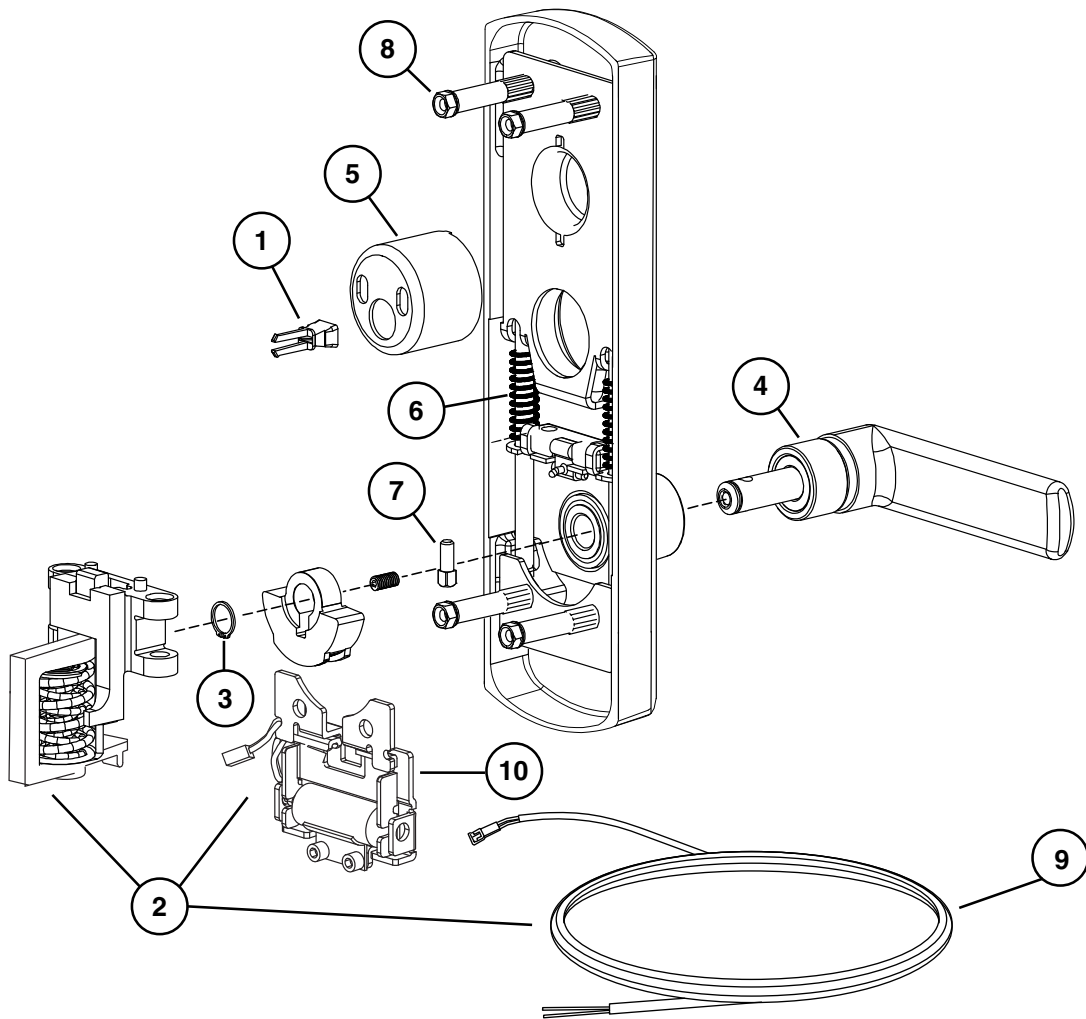


## E996L-M trim

Item no.	Quantity	Part no.	Description	Finish
	1	900920	991/992/994/996 Screw Package	
1	1	050156	Tailpiece Guide Lead Kit	
2	1	050673	*E996 Mort Conv to E Kit	
3	1	964285	Retaining Ring - 991K-DT/NL/BE/992L	
4	1	969541	Lever Bushing - 992/994/996	
5	4	968201	Cylinder Retaining Cup - 990 Trim	
6	2	971573	Lift Spring - 992/994/996	
7	1	050611	Shear Pin - 992/994/996 w/Retaining Ring	
8	4	971585	Mounting Stud - 994/996	
9	1	CABLE.10038	E996 Wire Harness (Cable)	
10	1	050671	E996 Locking Mech Kit (includes solenoid)	

X in "Finish" column designates finished items; finish must be specified when ordering.

\*Kit includes one each of items 2, 9, 10, plus one NL Drive Screw





## About Allegion

Allegion (NYSE: ALLE) creates peace of mind by pioneering safety and security. As a \$2 billion provider of security solutions for homes and businesses, Allegion employs more than 9,500 people and sells products in more than 130 countries across the world. Allegion comprises 25 global brands, including strategic brands CISA®, Interflex®, LCN®, Schlage® and Von Duprin®.

For more, visit [www.allegion.com](http://www.allegion.com).

*aptiQ* ■ LCN ■ **SCHLAGE** ■ STEELCRAFT ■ VON DUPRIN