

# Vi22001U

## Single Port 90W IEEE 802.3bt PoE Midspan

### Features

- Single port 90W midspan for 10/100/1000Base-T networks
- Compliant with 802.3af/at/bt class 0-8 standards up to 90W PoE
- Compliant with UPoE up to 60W
- Complies with IEEE 802.3 safety standards for automatic detection and over-current protection
- Built-in PoE surge protection
- Delivers up to 90W PoE power for high power applications such as PTZ domes and high PoE cameras
- Ideal for powering high data rate and high power Megapixel IP camera applications
- Operates at extended temperature range -20°C to +60°C
- Tested to RFC 2544 packet transmission standards
- Compact design



### Applications

- Local PoE source for high power IP cameras
- Cost effective solution for applications using non-PoE network switches
- Powering all types of PoE powered IP equipment

The MaxiiPower Model Vi22001U is a unique Single port PoE Midspan designed for the most demanding power applications of 10/100/1000 Base-T networks. With the ability to provide up to 90W PoE power, it is the most cost effective method for powering PTZ domes cameras with heaters and blowers. The Midspan is compliant IEEE 802.3af, at, bt standards up to 90W and and UPoE up to 60W PoE applications.

The Vi22001U can virtually meet requirements of any high power PoE application. Its unique internal control system enables it to handle both single PD and dual PD PoE devices.

The Midspan is equipped with LEDs to provide power status. No IP setting or configurations are required and it is completely transparent to the Ethernet network and higher layer protocols.

The Vi22001U's wide operating temperature and its compact size makes it an ideal Midspan to be used in most environmental enclosures.

# Technical Specification\*

## Electrical

Ethernet Interface	Standard 10/100/1000 BaseTX
UTP	Category-5 (or higher)
AC Input Power	90-264VAC @ 1.1A Max, 50-60 Hz
PoE Standards	IEEE 802.3af, at, bt class 0-8 up to 90W, UPoE up to 60W
Status LEDs	Power: Green PoE On: Green
Connectors	Input Interface: Shielded RJ-45 Output Interface: Shielded RJ-45 Main Power: IEC 320-C14 inlet
Data Interfaces and Compliances	RFC 768 UDP, RFC 2068 HTTP RFC 793 TCP, RFC 791 IP RFC 1783 TFTP, RFC 894 IP over Ethernet RFC 2544 TCP/IP Packet Transmission

## Ordering Information

### Part No. Description

<b>Vi22001U</b>	Single Port 90W .bt PoE Midspan
-----------------	---------------------------------

## Regulatory

Safety	CE
Environmental	RoHS, WEEE

## Environmental

Humidity	0 to 90%, non-condensing
Temperature	Operating: -20°C to +60°C Storage: -40°C to +70°C

## Mechanical

Dimensions	2x3.75x5.71 in., 5.1x9.5x15.5 cm (HxWxL)
Weight	1.58 lb (720 g)
Material	Extruded Aluminum

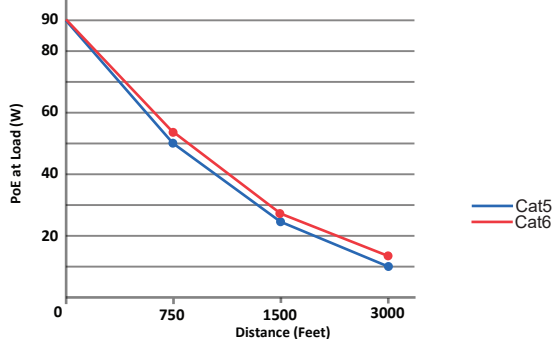
## Included Accessories

- Molded IEC 7 ft. (200 cm) power cord
- Mounting clips

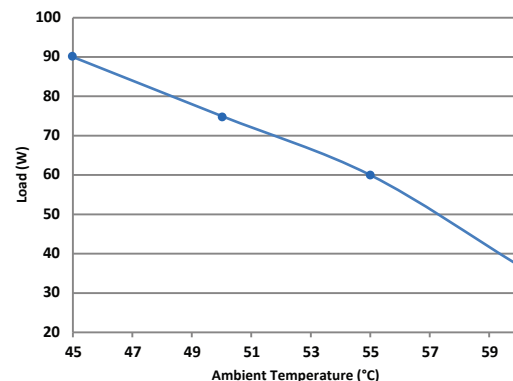
\*Specifications subject to change without notice.

The Vi22001U can be used along with extenders to power PoE powered devices at long distances. The following chart shows the how much power can be available at extended distances:

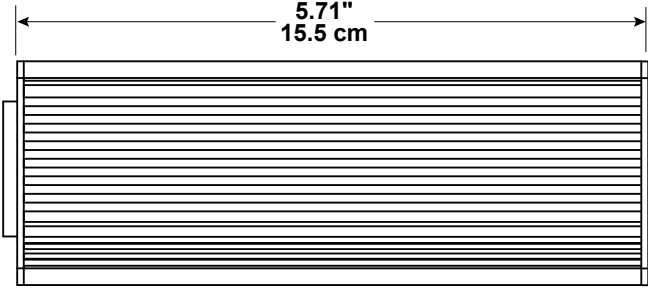
### PoE Power at the load vs. Distance



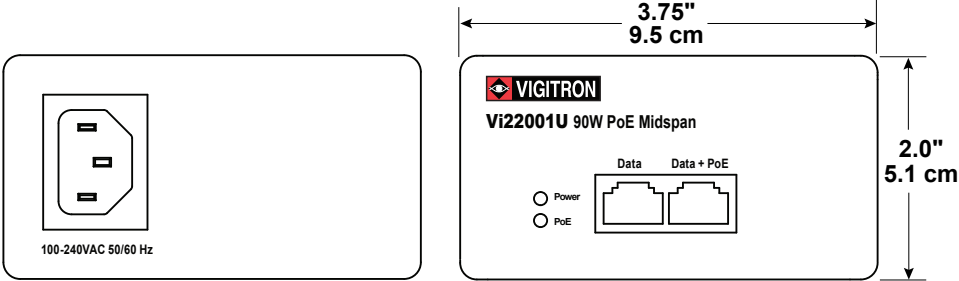
### PoE Power Output vs. Temperature



# Mechanical Drawings



Side View

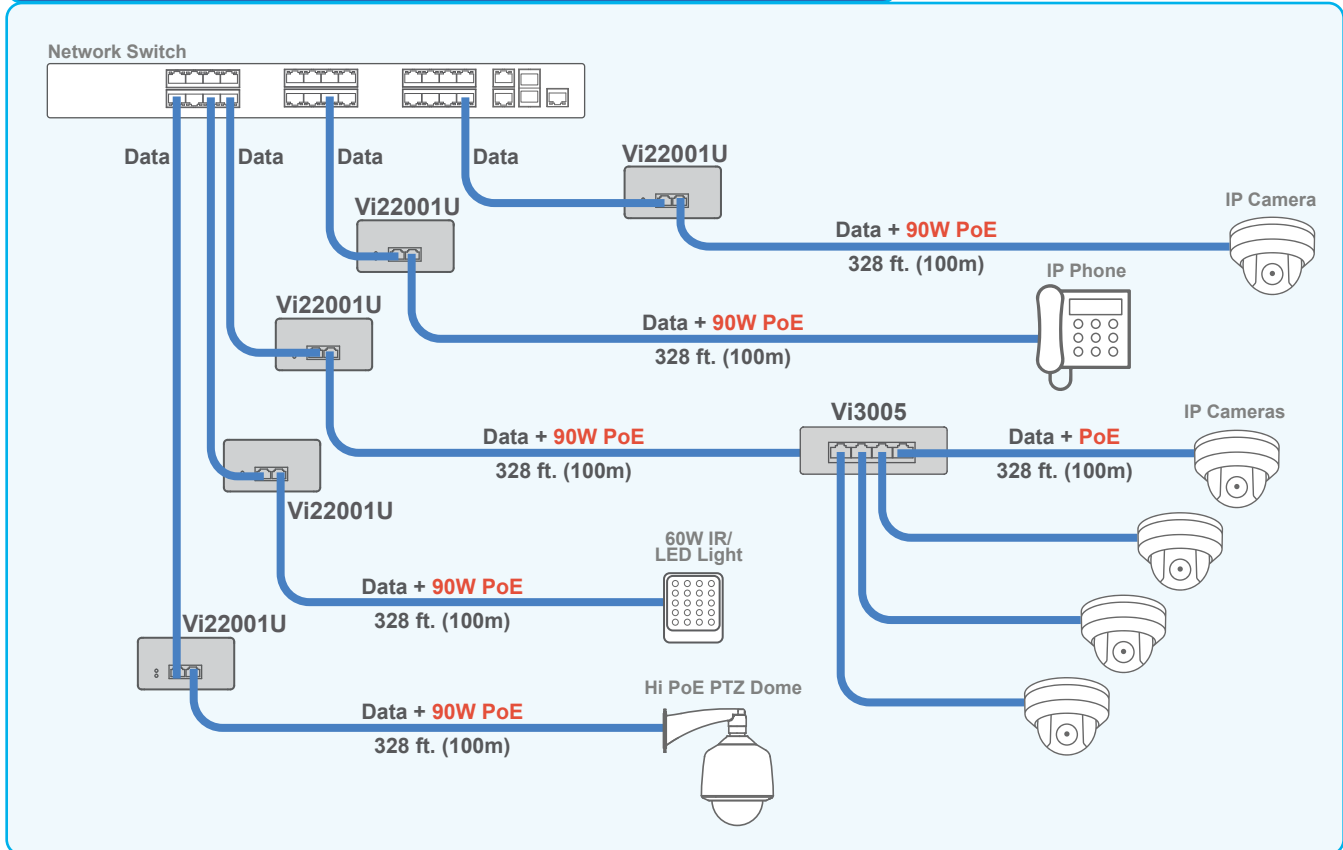


Right View

Left View

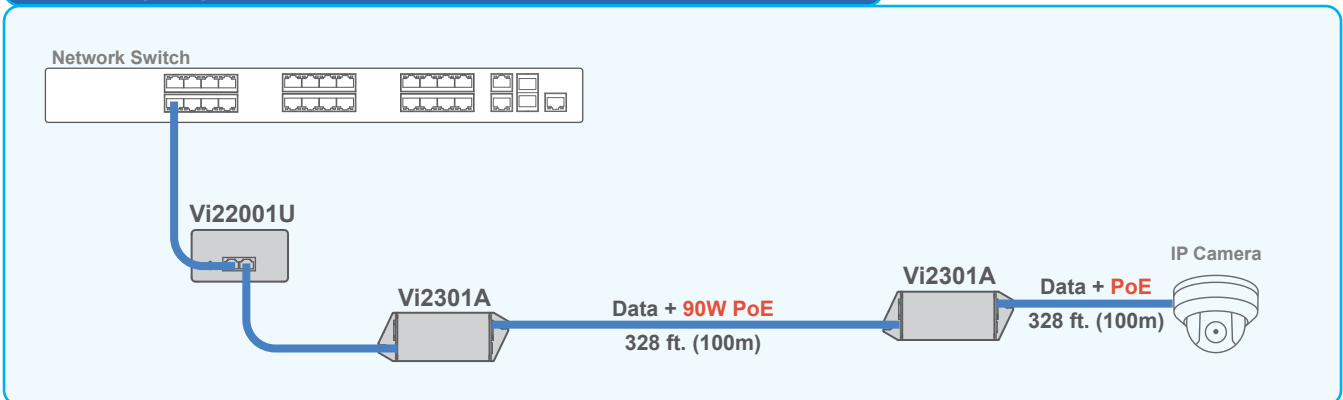
# Application Diagrams

## Powering PoE devices at standard and Extended Distances



The Vi22001U can be used to provide power to a wide variety high PoE power PoE powered devices with Single or Dual PDs.

## Powering High power PoE devices at Extended Distances



The Vi22001U can be used along with extenders to provide power to PoE powered devices at long distances.