

Vi0021

IP camera Installation and PoE Tester Tool

Features

- Provides a simple way to setup and focus PoE powered IP cameras
- Maintains PoE power to the IP camera while making a local Ethernet connection to a laptop to view the camera image
- Displays accurately the PoE voltage and power at the camera
- 10BASE-T and 100BASE-T compliant with integrated network crossover
- Compatible with IEEE 802.af , IEEE 802.at and most non-standard solutions up to 30W
- Does not require external power source, uses PoE power from the network
- Low cost and easy to use
- Speeds up the IP camera installation



Applications

- Installing and troubleshooting PoE cameras
- Installing or troubleshooting PoE enabled devices
- CCTV System for Casinos, Airports, School campuses

Vigitron's Vi0021 ViewMate™ is a compact but powerful tool for installing and troubleshooting PoE enabled devices. The Vi0021 accurately and continuously measures and displays the voltage and power level of PoE at the camera input.

When connected, ViewMate™ passes the PoE power from the "Network" Ethernet port to the remote PoE powered device such as an IP camera thru "Camera" port, and the "Laptop" port provides direct network connection from the remote IP camera to a local laptop for focusing and set up.

Powered directly from PoE sources, the Vi0021 doesn't require any external power. It is compatible with IEEE 802.af, IEEE 802.at and most non-standards PoE systems up to 30W for 100/10 BASE-T environments.

ViewMate's patent-pending design offers a small and rugged packaging. It is an ideal diagnostic tool for all installers working with both CCTV and IT PoE systems.

Technical Specification*

Electrical

Connectors	"POE In": RJ-45 Connector "Monitor": RJ-45 Connector "Camera": Built-in 9 inch Cat-5 cable with RJ45 plug
Network Interface	10BASE-T and 100BASE-T, Half or Full Duplex Includes integrated network crossover
Laptop Interface	10BASE-T and 100BASE-T, Half or Full Duplex Integrated network crossover
PoE Standards	IEEE 802.3af, IEEE 802.3at and Most non-standard PoEs up to 30W
Display	PoE Voltage: 2-Digit LED Display PoE Power: 2-Digit LED Display
Power Supply	Uses PoE, no external power needed

Environmental

Humidity	0 to 95%, non-condensing
Temperature	Operating: -40°C to +75°C Storage: -40°C to +80°C
Dimensions	1.52x1.09x2.24 in., 3.87x2.75x5.67 cm (HxWxL)
Weight	0.116 lb, 53 g
Material	ABS plastic, UL rating of 94V-0

*Specifications subject to change without notice.

Ordering Information

Part No.	Description
Vi0021	IP camera Installation and PoE Tester Tool

Related Products

Part No.	Description
Vi0021	IP Camera Setup and PoE Test Tool
Vi0022	Wireless IP Camera setup and PoE Tester Tool
Vi00023L	Wireless IP Camera Installation Tool w/PoE Power Bank
Vi00023	Wireless IP Camera Installation Tool w/Removable PoE Power Bank
Vi00024	PoE Maximum Load Meter
Vi00027	PoE Test Tool

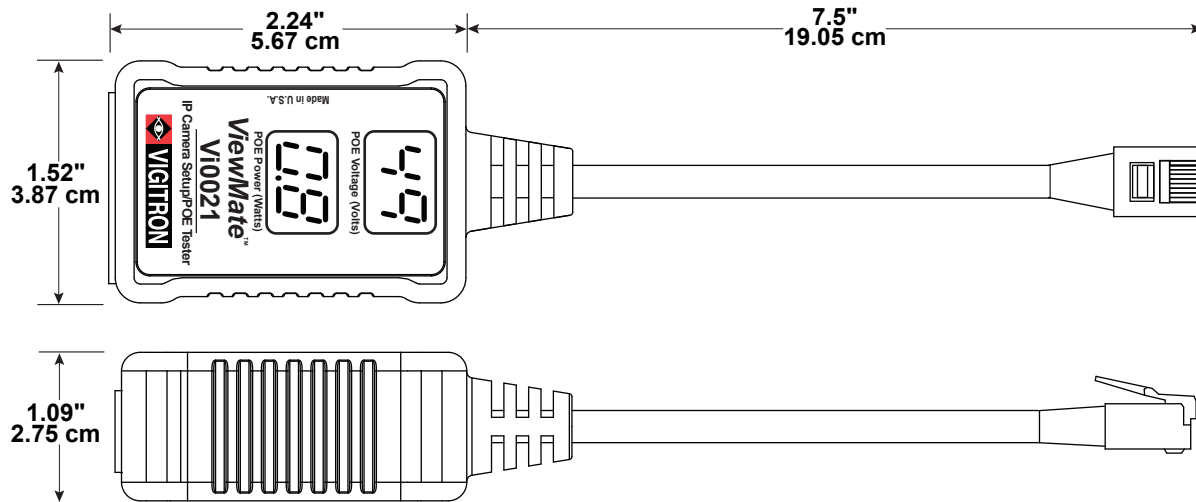


TEL (+1) 858-484-5209 • FAX (+1) 858-484-1205

7810 Trade Street, Suite 100, San Diego, CA 92121, USA • support@vigatron.com • www.vigatron.com

© Copyright 2022 Vigatron, Inc.

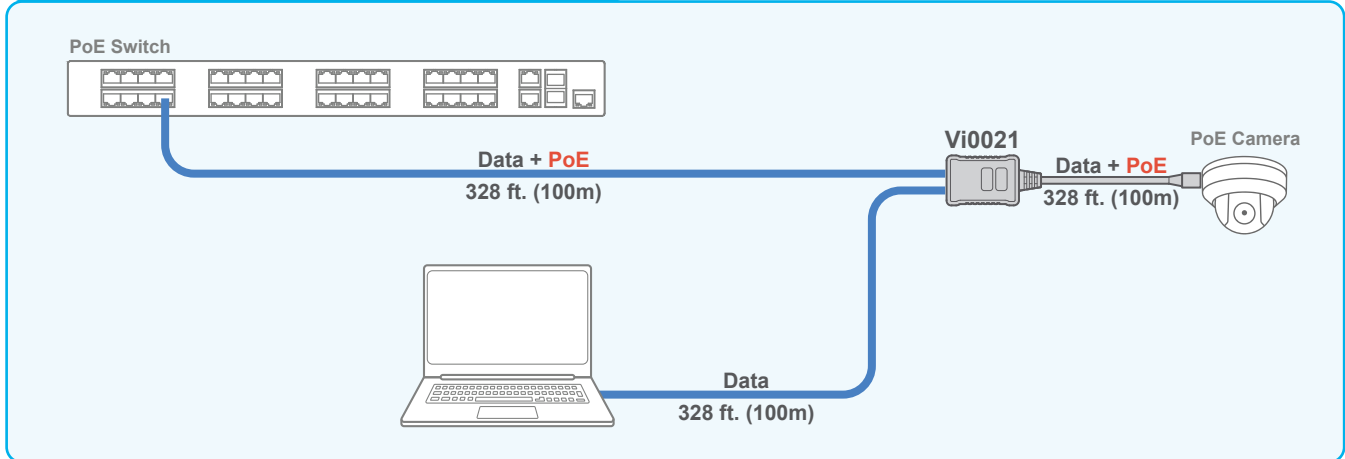
Mechanical Drawings



Application Drawings

— Cat 5/6

Connecting the camera to wired devices



The Vi0021 enables connecting to a laptop using a wired connection to setup and focus IP cameras.