

Vi00023

Wireless IP Camera Installation Tool w/Removable PoE Power Bank

Features

- Simplifies and speeds up installation and Camera positioning
- Compact and light weight design makes it possible to operate it hands-free
- Complies with IEEE 802.3af/at POE standards, and can deliver up to 36W of POE
- Monitors real time PoE voltage and power on OLED display
- Enables focusing and adjusting the camera view through wired and wireless connections to the camera for viewing images on cell phones, tablets or laptops
- A 5V USB port enables charging smart phones/tablets on the site.
- Built in rechargeable battery provides PoE power to connected devices without the need for external power sources
- Compact design, light, and easy to use
- Verifies proper camera connection and PoE
- Includes a built in 3 port switch
- Reduces installation time and cost
- Patent pending



Applications

- IP camera installation without network connection
- IP camera Positioning and focusing



Vigitron's patent pending Vi00023 wireless camera setup tool offers a fast and reliable method for focusing and adjusting the view of IP cameras in the field. The connected IP camera image is transmitted through both WiFi and wired connection allowing for quick in-field view of image on cell phones, tablets or laptops. It also displays PoE voltage and power consumed by the camera. The Vi00023 is very compact and light and can easily fit in a pocket. The carrying strap makes it easy to operate hands-free.

PoE Source:

The built in Midspan is compliant to IEEE 802.3af/at and provides up to 36W PoE power.

WiFi:

The Vi00023's WiFi provides the ability to view IP camera image on smart phones, tablets or computers operating with Android, iOS, or Windows™ platforms by entering the connected device's user name and password. A blue LED indicates that the WiFi is active. The Vi00023 can operate at distances up to 60 feet (18m).

Aux Port:

Provides an easy way to connect a wired IP device to the WiFi network for testing purposes.

USB Port:

A 5V @1.5A USB port is provided for charging smart Phones and Tablets on site.

DC Power Output:

The DC power output provides a 12VDC @ 1.5A for powering non PoE devices.

Removable Battery:

The Vi00023 has a rechargeable and removable battery that provides power to the unit and the connected camera. It is 43.2Wh and provides up to 80 minutes of use at 20W or 8 hours at 5W meeting the most depending network testing and positioning requirements. A Battery Status Icon on the OLED display shows the remaining charge level. The removable battery can be charged either connected to Vi00023 or stand alone. The Vi00023 includes a fast battery charger and an extra battery pack that makes it possible to use it for longer time without running out of power.

The Vi00023's compact and the light weight construction makes it easy to carry. It is an ideal tool that saves time and money in installation and debugging of IP cameras.



Technical Specification*

Electrical

Camera Port

Connector Camera Port: RJ-45, 10/100Mbps data and PoE
PoE Standards IEEE 802.3af, IEEE 802.3at, and most non-standard PoE sources up to 36W
LED Indicator Activity: Orange
PoE: Green

Input/Outputs

Charger Input Barrel Connector Jack, must use provided fat charger
USB Output 5VDC @ 1.5A Max. BC1.2 Standard for charging phones (No data connection)
Power Output 12VDC @ 1 A, Barrel Connector Jack

Display

Type 128x32 monochrome OLED display
Content PoE Voltage and Power, Battery status

Aux Port

Connector RJ-45, 10/100Mbps Data, no PoE
LED Indicator Activity: Orange

WiFi

Security SPA2 - PSK with user configured password
SSID User Configuration
Wireless frequency Default 2.4Ghz compatible to b.g.n
IP address IPv4 Auto and Manual
IP Setting IP Address auto or programmable subnet
LED Indicator WIFI: Blue
Maximum Clients 12 Maximum
WiFi Range 50 feet, 15m

DC Output

Output power 12VDC @ 1.5 A, Barrel Connector Jack
LED Indicator Activity: Green

Removable Battery

Type Lithium Ion Battery
Power 43.2Wh, built in rechargeable battery
Nominal Voltage 14.4V
Capacity 3000mAh
Operating Time 65 Minutes at 36W, 8 Hours at 5W
Charge time 3 hours with provided fast charger
Lifetime Keeps over 80% of initial capacity up to 300 charges

Regulatory

Safety CE, FCC
Environmental Rohs, WEEE

Environmental

Humidity 0-90% non condensing
Operating Temperature -20°C to +50°C
Storage Temperature -20°C to +50°C

Mechanical

Dimensions 7.25 x1.3 x3.3 in., 18x3.3x9.2 cm (HxWxL)
Weight 1.18 lb; 535 g
Housing Extruded Aluminum and ABS plastic UL rating of 94V-0

Accessories

Vi00023BC Universal Battery Charger (UK, US, EU & AU plugs)
Vi00023RB Extra Removable Battery
Vi00023CC Carrying Case
4 feet RJ45 Ethernet cable
Shoulder Strap

Vi00023BC Battery Charger

Input 100-240 VAC, 1.5 A, 50/60 Hz
Output 16.8V, 1 A Max.
Charging time 3 Hours Maximum
Charging Temperature 0°C to +45°C
Connectors Input power: "Figure of 8" AC Connector
Output power: Barrel Connector Jack

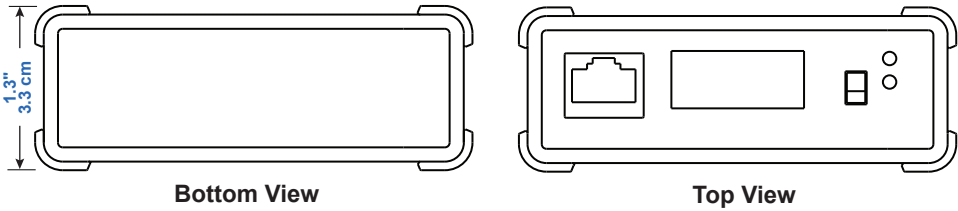
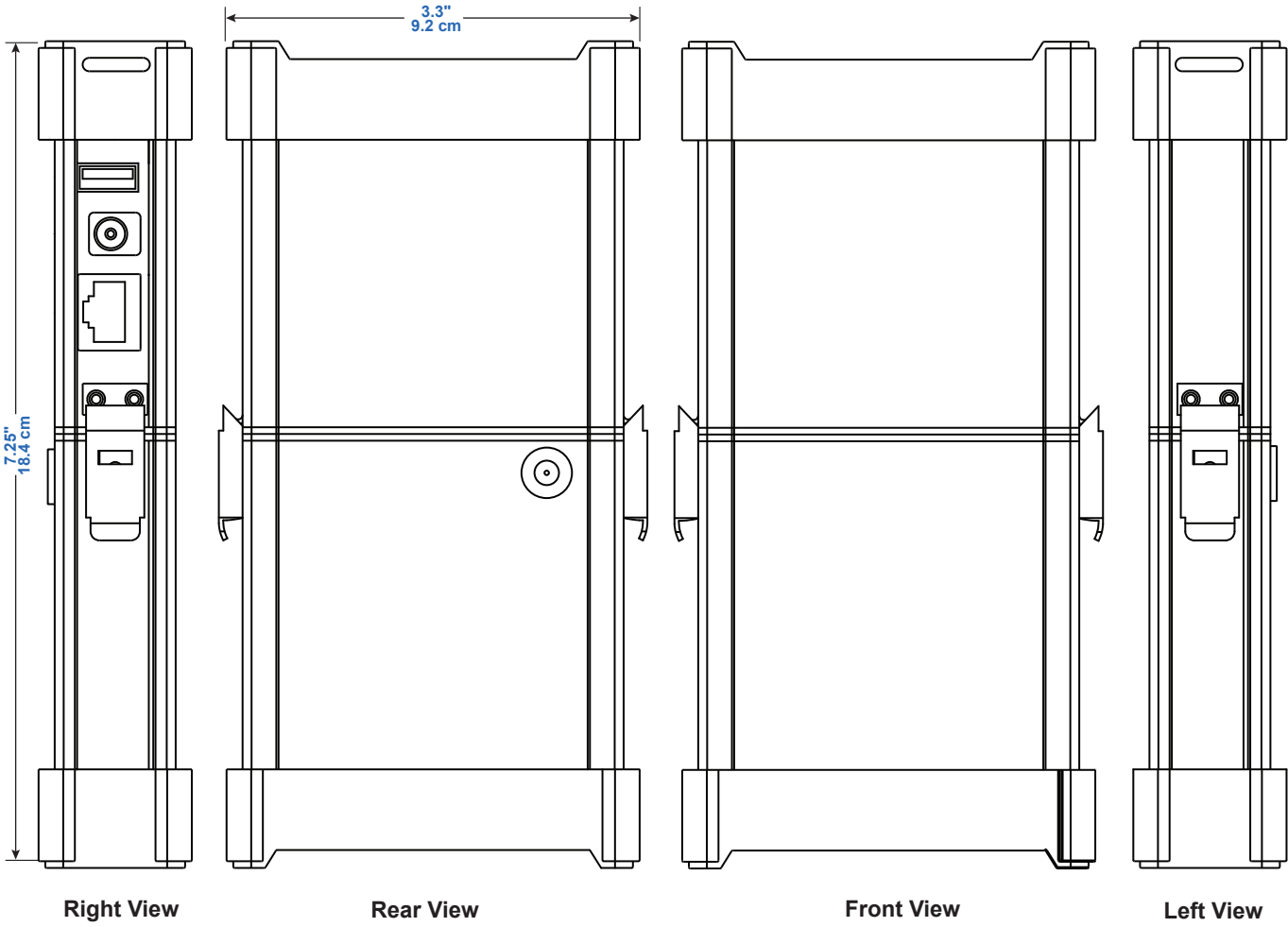
*Specifications subject to change without notice.

Ordering Information

Part No.	Description
Vi00023	MaxiiView Wireless IP Camera setup Tool w/removable PoE Power Bank



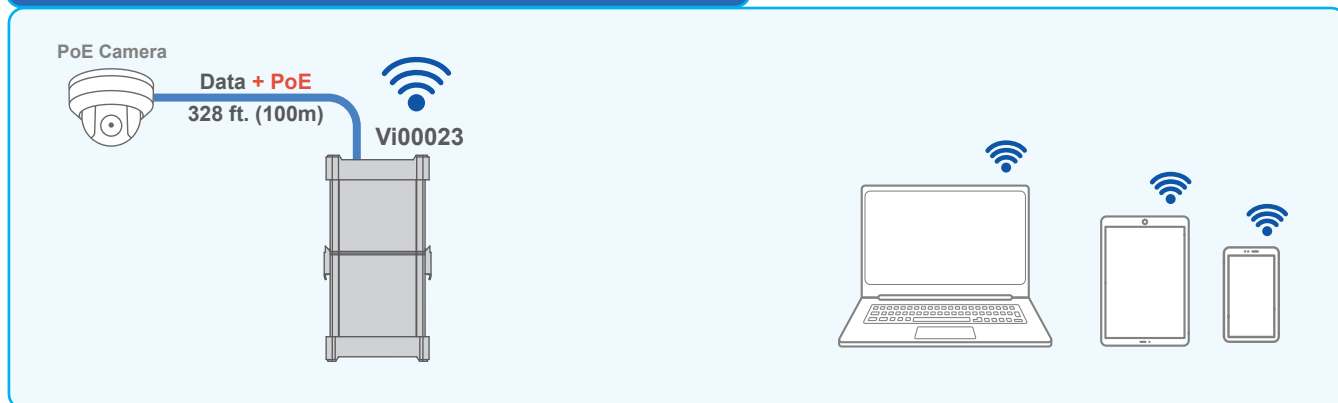
Mechanical Drawings



Application Drawings

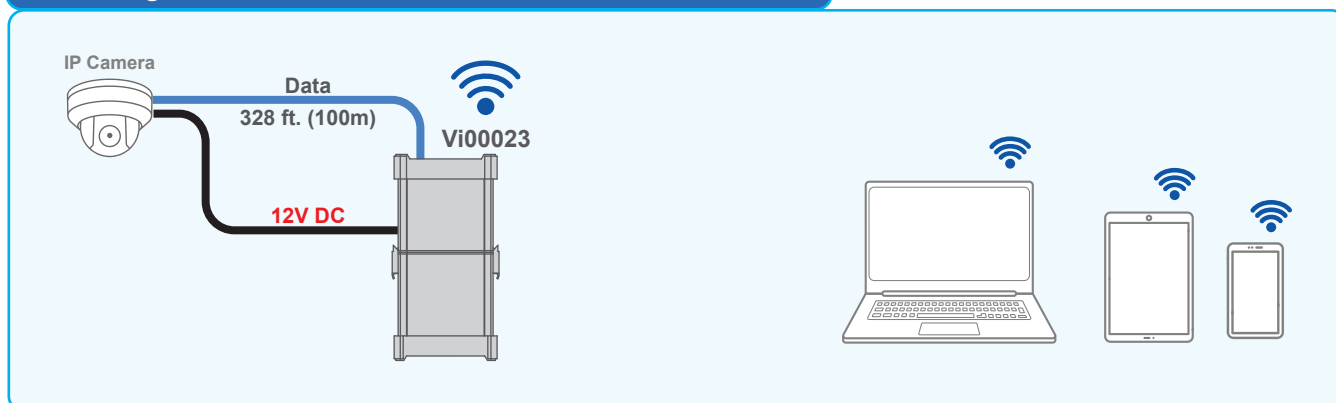
— Cat 5/6

Providing PoE and WiFi Connection to a Camera



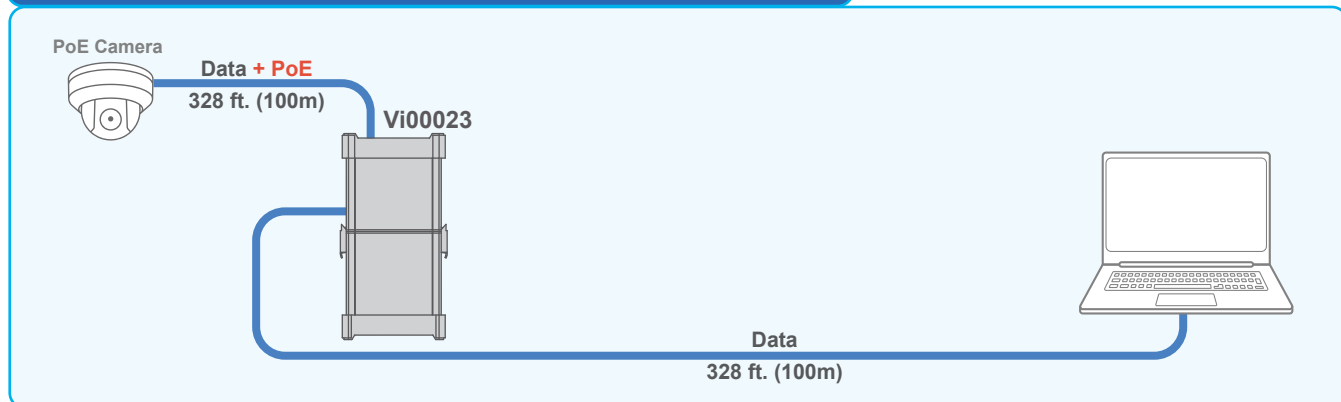
The Vi00023 enables connecting the PoE cameras to any wireless device using a WiFi connection.

Providing DC Power and WiFi Connection to a Camera



The Vi00023 enables connecting the non PoE cameras to any wireless device using a WiFi connection.

Providing PoE Power and wired Connection to a Laptop

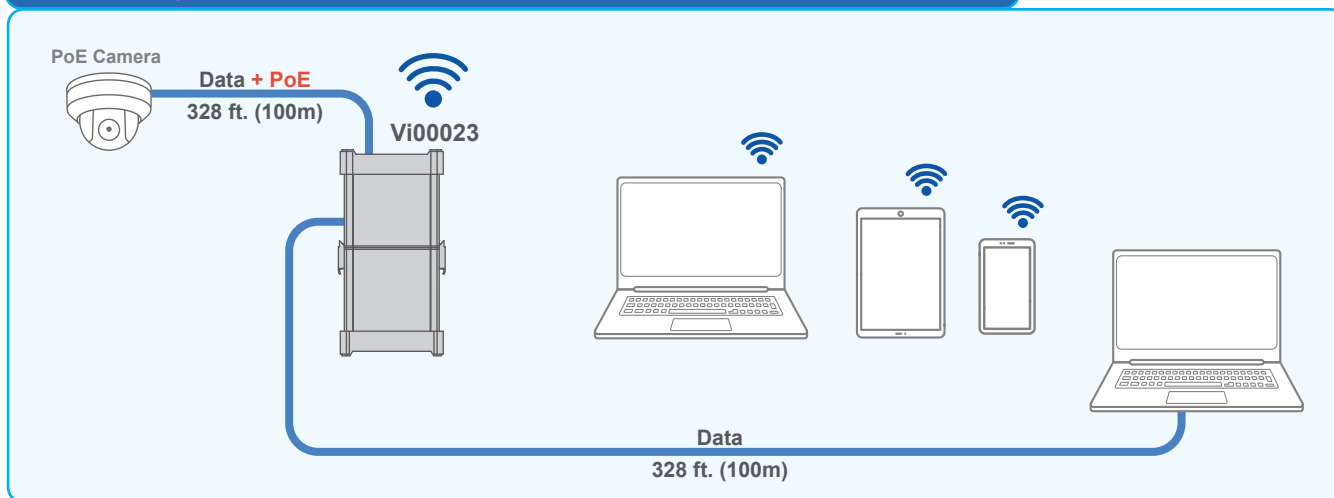


The Vi00023 enables connecting to a laptop using a wired connection.

Application Drawings

— Cat 5/6

Connecting the camera to a network of wired and wireless devices



The Vi00023 has a built in switch that makes it possible to connect the IP camera to a network of wired and wireless devices.