



5 POWERING ON THE UNIT

A Press and hold the red power button for 2 seconds.

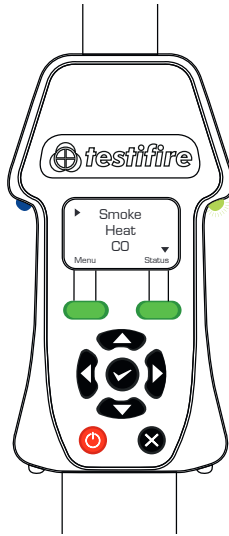


B Select your required operating language.

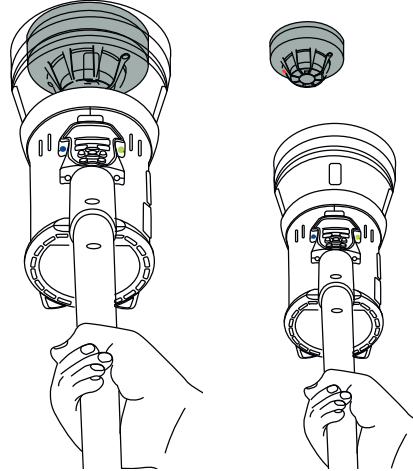


6 PERFORMING A SINGLE TEST

A Select a test from the main menu by moving the cursor.

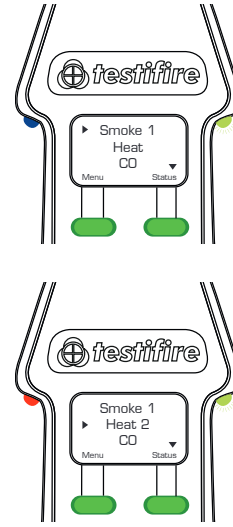


B The test will begin when the head unit is placed over the detector, breaking the infrared beam. When the detector is activated, remove Testifire by lowering it gently. Testifire will return to idle.

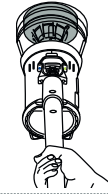


SEQUENTIAL TESTING. SMOKE + HEAT TEST

A Press the enter key to select smoke, followed by heat.



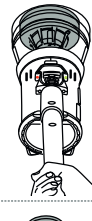
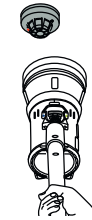
B The smoke test will begin when the head unit is placed over the detector.



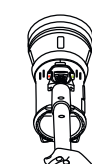
C When the detector is activated, remove Testifire by lowering it gently.



After 2 seconds raise again to begin the heat test.

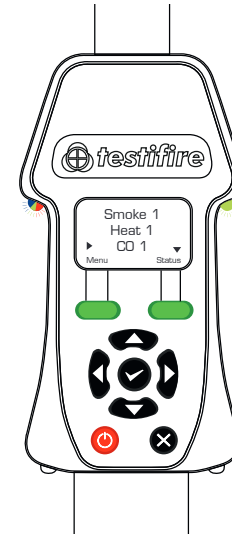


D Lower Testifire once the heat test has completed. Testifire will return to idle.

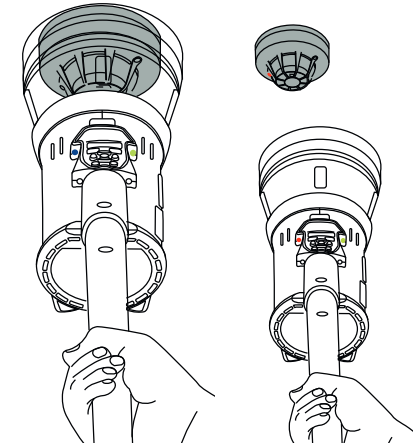


SIMULTANEOUS/MULTI-SENSOR TESTING

A Press the enter key **Twice** to select each test.



B Raise Testifire over the detector. Smoke, heat and CO are tested at the same time in a simultaneous test. Once the alarm is triggered lower Testifire. Testifire will return to idle with the same settings - ready for the next simultaneous test.



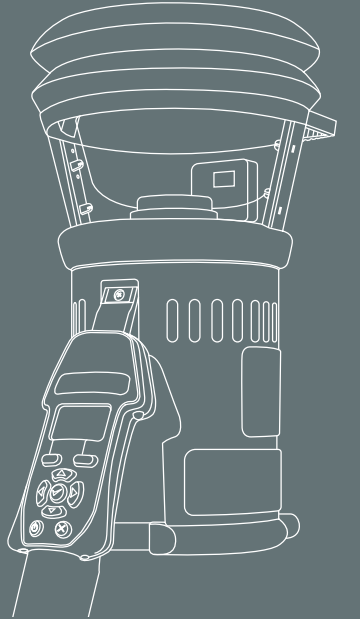
NOTE
The test LED will alternate the color of all selected test modes when selected for a simultaneous test.

Download the full user manual by scanning the QR code or by visiting sdfire.com/manuals



NOTE:
During a smoke test a slight 'popping' sound may be heard. This is normal and part of the test procedure.

**2000
SERIES**



testifire

QUICK START GUIDE

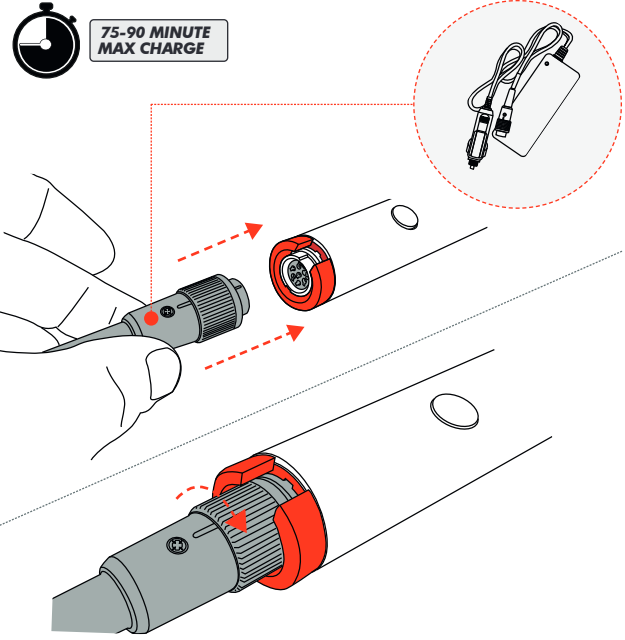
www.detectortesters.com/testifire

1 CHARGING THE BATTERY

Connect the charger to a power source. Connect the battery baton to the charger and turn the locking ring.

NOTE:

Always disconnect the battery from the charger as soon as it is fully charged.

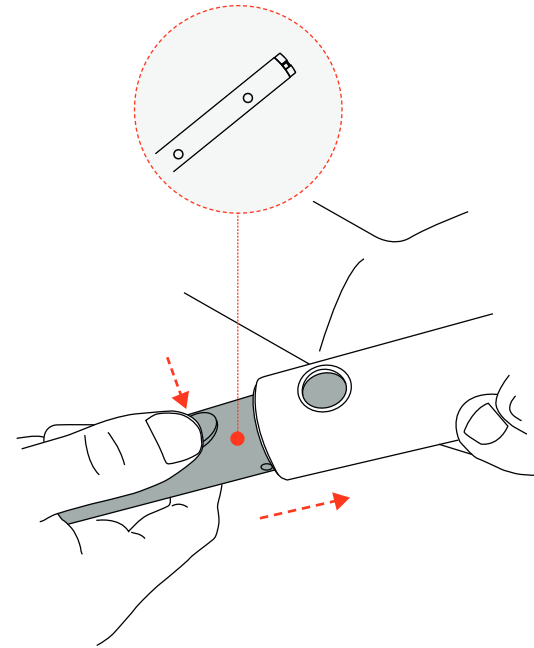


2 INSERTING THE BATTERY BATON

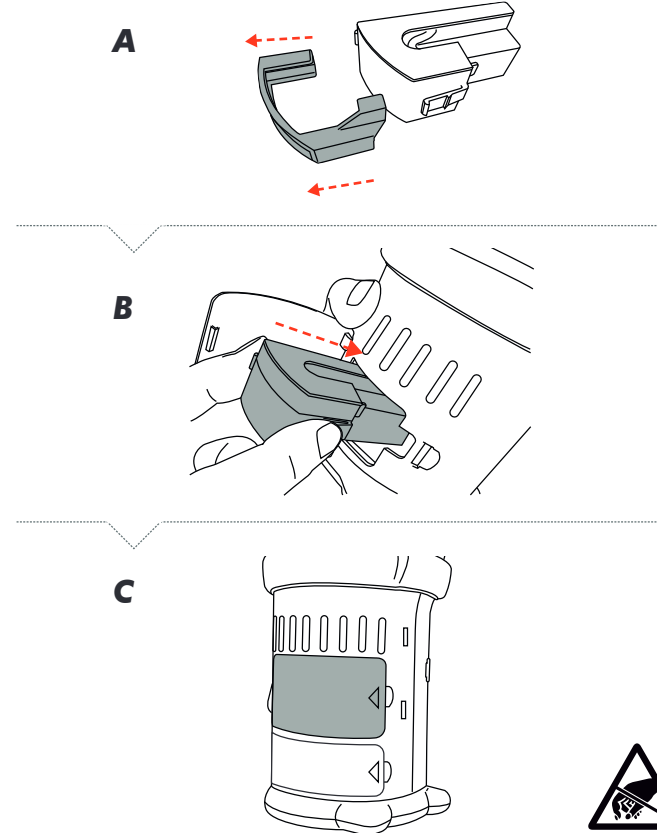
Align the button with the location hole in the handle and push the Battery Baton into the handle until the button springs up through the hole.

NOTE:

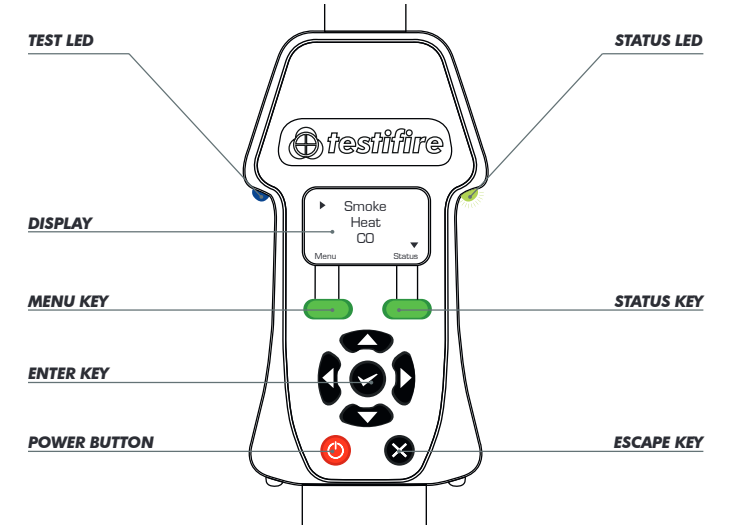
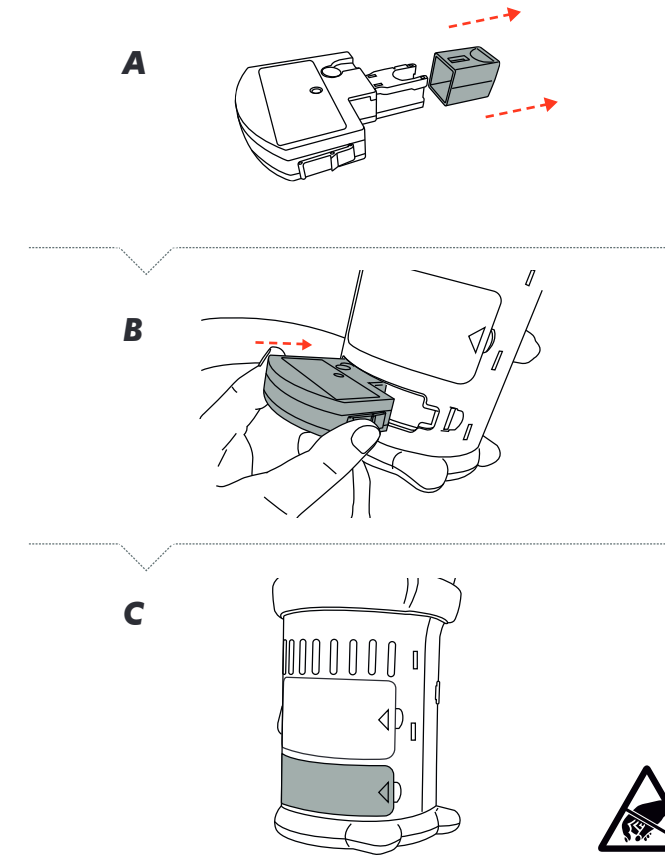
Do not use undue force to insert the battery baton.



3 INSERTING THE SMOKE CAPSULE



4 INSERTING THE CO CAPSULE



LED REFERENCE CHART

TEST LED	STATUS LED
Blue = Smoke	Flashing Slow Green = Idle Mode
Red = Heat	Flashing Fast Green = Operational Mode
Green = CO	Flashing Red = Battery requires charging
Clear = Clearing	Solid Red = Error
Flashing Blue/Red/Green = Smoke/Heat/CO simultaneous test	Flashing Green/Red = Testfire TimeOut
Solid Blue/Red & Green Alternating = Smoke in progress, Heat/CO sequential test	

