

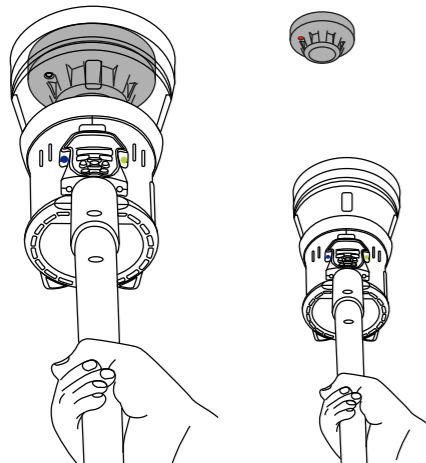


### 5 PERFORMING A SINGLE TEST

**A** Select a test from the main menu by moving the cursor.



**B** The test will begin when the head unit is placed over the detector, breaking the infrared beam. When the detector is activated, remove Testifire by lowering it gently. Testifire will return to idle.



**NOTE:**

During a smoke test a slight 'popping' sound may be heard. This is normal and part of the test procedure.

### SEQUENTIAL TESTING. SMOKE + HEAT TEST

**A** Press the enter key to select smoke, followed by heat.



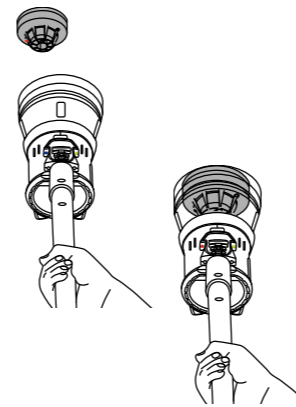
**B** The smoke test will begin when the head unit is placed over the detector.



**C** When the detector is activated, remove Testifire by lowering it gently.



After 2 seconds raise again to begin the heat test.

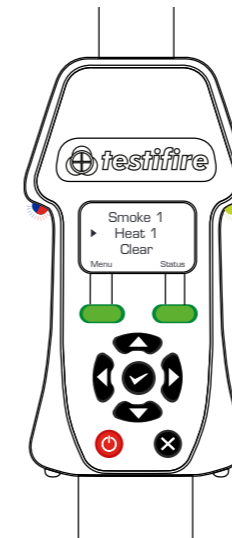


**D** Lower Testifire once the heat test has completed. Testifire will return to idle.

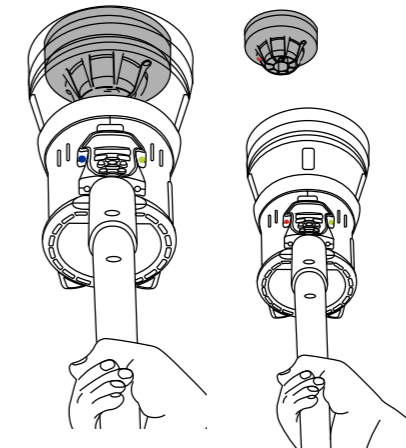


### SIMULTANEOUS/MULTI-SENSOR TESTING

**A** Press the enter key **Twice** to select each test.

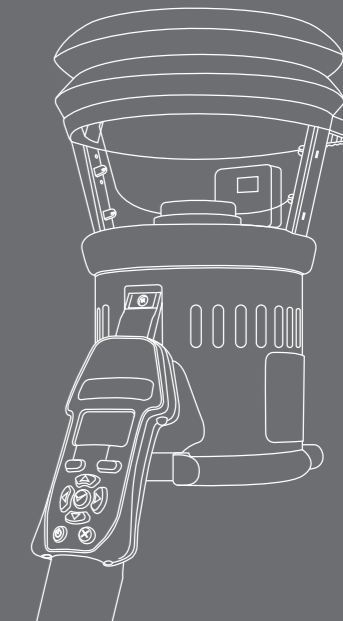


**B** Raise Testifire over the detector. Smoke and heat are tested at the same time in a simultaneous test. Once the alarm is triggered lower Testifire. Testifire will return to idle with the same settings - ready for the next simultaneous test.



**NOTE**

The test LED will alternate the color of all selected test modes when selected for a simultaneous test.



## QUICK START GUIDE

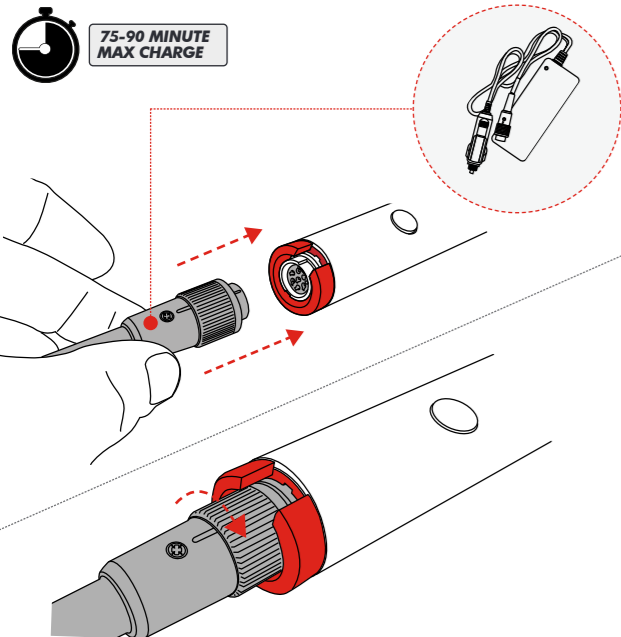
[www.sdifire.com/testifire](http://www.sdifire.com/testifire)

### 1 CHARGING THE BATTERY

Connect the charger to a power source. Connect the battery baton to the charger and turn the locking ring.

**NOTE:**

Always disconnect the battery from the charger as soon as it is fully charged.

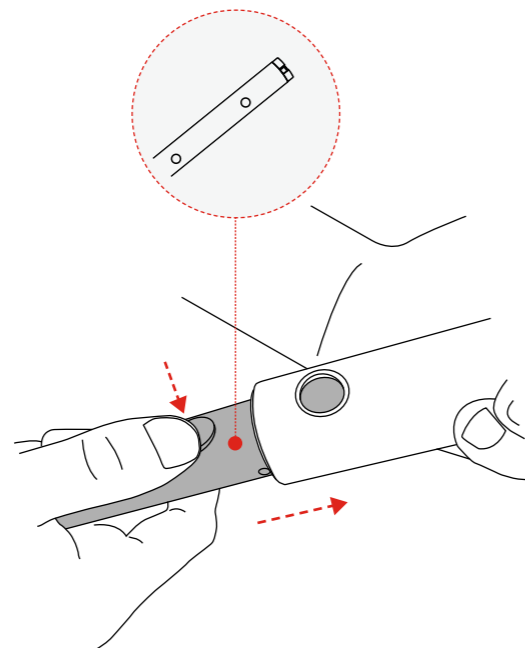


### 2 INSERTING THE BATTERY BATON

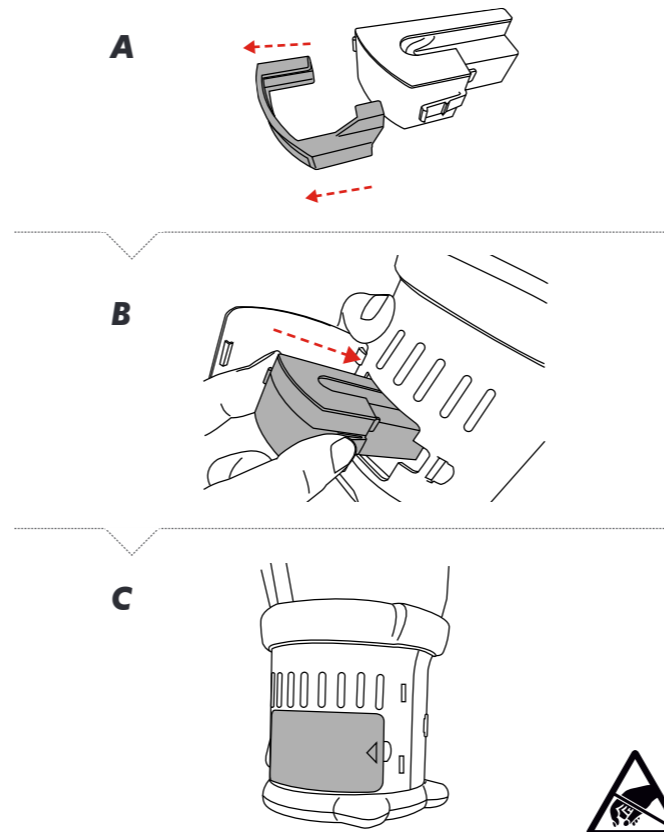
Align the button with the location hole in the handle and push the Battery Baton into the handle until the button springs up through the hole.

**NOTE:**

Do not use undue force to insert the battery baton.



### 3 INSERTING THE SMOKE CAPSULE



### 4 POWERING ON THE UNIT

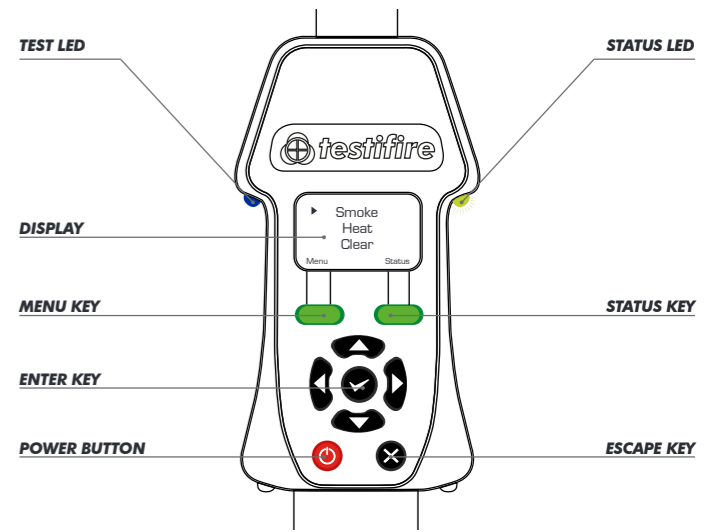
**A** Press and hold the red power button for 2 seconds.



**B** Select your required operating language.



Download the full user manual by scanning the QR code or by visiting [sdfire.com/manuals](http://sdfire.com/manuals)



**LED REFERENCE CHART**

TEST LED	STATUS LED
<span style="color: blue;">●</span> Blue = Smoke	<span style="color: green;">●</span> Flashing Slow Green = Idle Mode
<span style="color: red;">●</span> Red = Heat	<span style="color: green;">●</span> Flashing Fast Green = Operational Mode
<span style="color: white;">○</span> Clear = Clearing	<span style="color: red;">●</span> Flashing Red = Battery requires charging
<span style="color: red; color: blue;">●</span> Flashing Blue/Red = Smoke/Heat simultaneous test	<span style="color: red;">●</span> Solid Red = Error
	<span style="color: green; color: red;">●</span> Flashing Green/Red = Testfire TimeOut

