

TF-AMS5AV2

5MP x 4 Multi-Sensor Remote Adjustable Camera

KEY FEATURES

- ✓ 4 fully independent video streams
- ✓ Max 2592 x 1944 resolution @ 30FPS
- ✓ Up to 40M (131ft) surround IR LED
- ✓ Remote PTZ control to adjust zoom and view angles
- ✓ Connects to Turing Smart Series NVR (via ONVIF protocol)
- ✓ Requires IEEE 802.3bt PoE Class 5
(Power Supply Not Included)



SPECIFICATIONS

CAMERA

Image Sensor	1/2.8" 5MP x4 CMOS progressive sensors
Lens	4 Motorized Lens 2.7~13.5mm F1.4
FOV	H: 107°, V: 77°, D:145°
Resolution	2592 x 1944 to 640 x 480 each channel
Pan/Tilt	Remotely adjustable, Pan 360° , Tilt 90°
IR Distance	40M (131ft) surround, if powered by IEEE802.3bt
Day and Night	Supported
DOL WDR	120dB @30fps
Minimum Illumination	0.15 lux @F1.2,1/30s
Electronic Shutter Speed	Auto / Manual 1/7~1/20000
Gain Control	Auto/Manual
Backlight Compensation	Yes
White Balance Mode	Auto/Manual
Image Setting	Brightness, Contrast, Saturation, Sharpness, Mirror, Flip
Local storage	2x SD card (record stream 2 resolutions)
Analytics	Basic Motion Detection Only
Min. Object Dist.	1 Meter

VIDEO & AUDIO

Video Compression	H.265 / H.264 / M-JPEG
Video Streaming	Triple Streaming
Frame Rate	Up to 30fps at 5MP *4 channel
Audio Compression	G.711 8KHz/8 bits (A-Law/U-Law)
Audio Streaming	Two way audio

NETWORK

Interface	10/100Mbps Ethernet, RJ45
Support Protocols	TCP/IP, UDP, ICMP, IPv4, IPv6, SNMP v2c/ v3, QoS, HTTP, HTTPS, LDAP (client), SSL, SMTP, FTP, RTSP, UPnP, DNS, NTP, RTP, RTCP, DynDNS , Zero Configure
Users	Live Viewing/Administrator for up to 10 clients
Browsers	Internet Explorer, Google, Chrome, Mozilla Firefox

INTEGRATION

ONVIF	Profile S/G/T
Supported NVR	Turing Smart Series (ONVIF) Embedded POE ports not supported
Turing Vision	Limited support with Turing Legacy Core Consult Turing representative for details

POWER

AC	24V DC, 24V AC
PoE	IEEE 802.3bt PoE Class 5 (Power Supply Not Included)
Power Consumption	Max. 40 W

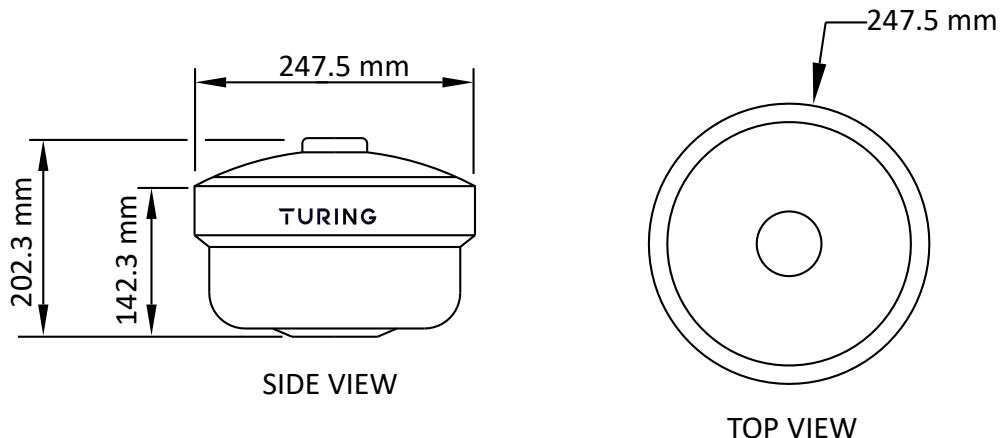
GENERAL

Connectors	Audio Line in*1, Line out*1 Digital input*1, Digital output*1; DC/AC power input RJ45
Weight	3425g
Dimensions	Ø 247.5 mm x 142.3 mm (H)
Operating Temp.	-40°C ~ 55°C (-40°F ~ 131°F)(IR OFF)
Storage Temp.	-40°C ~ 60°C (-40°F ~ 140°F)
Humidity	90%RH (no condensation)
Certification	CE/FCC
Vandal Resistance	IK10
Waterproof	IP66

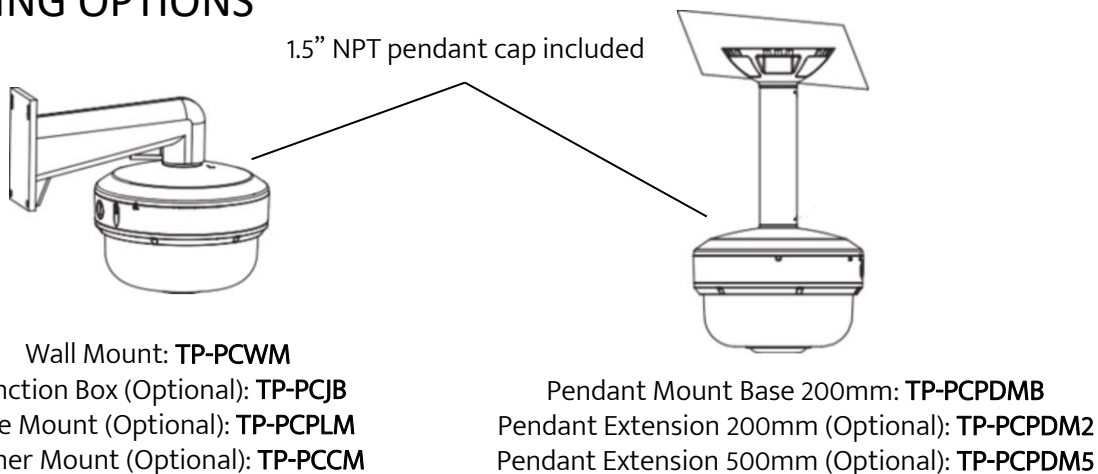
Event Trigger	Motion detection 5x5 areas Tampering detection
Notifications	Send message via e-mail or FTP
NWT (per unit)	3425g
GWT (per unit)	4578g
Dimensions	Package: 725*370*330mm



DIMENSIONS



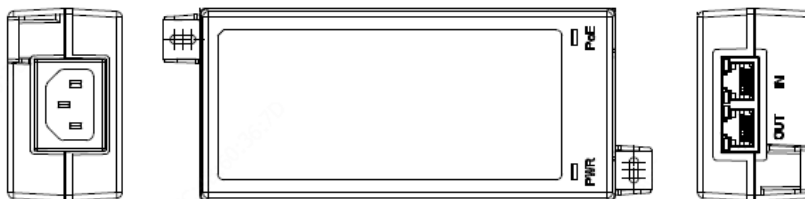
MOUNTING OPTIONS



*TP-PCPLM & TP-PCCM can be used with or without TP-PCJB

Parapet Mount (Not Shown): **TP-PCPRM**

POE INJECTOR (Sold Separately)



TP-POE65W
IEEE802.3bt
Output: 15.6V 65W

