

Quick Start Guide

Solo 330/332 Dispenser

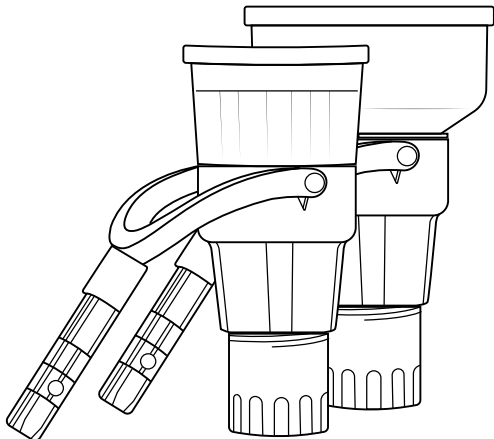
Solo 460 Heat Detector Tester

Solo 423/424 Main Powered Heat Tester

Solo 200 Removal Tool



Solo 330/332 Aerosol Dispenser



Important:

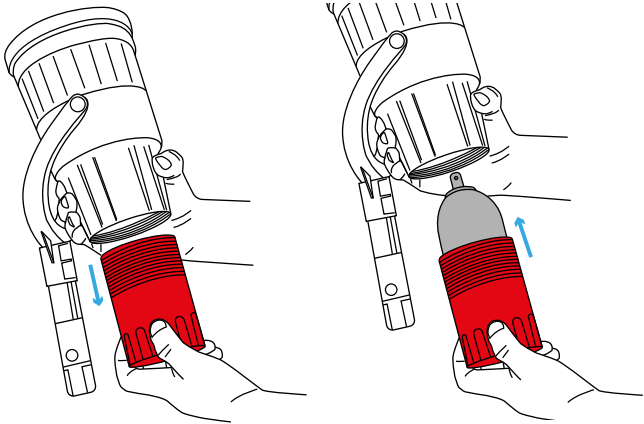
Before any work begins on the fire detection system, all necessary persons should be notified that the fire system is to undergo maintenance and that the system, or part of it, will be temporarily out of service.

Ensure the control panel is in 'Test Mode' and/or take the necessary precautions to prevent unwanted alarms.

Ensure that the same persons are informed once the system is fully operable again.

1

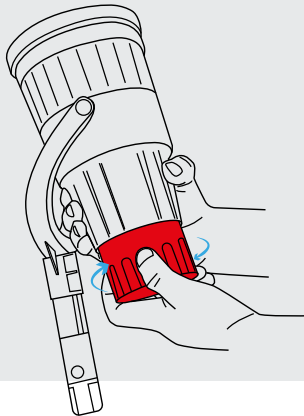
Unscrew the red cup and remove the cap from the aerosol can and place inside the red cup.



2

Insert the red cup back into the unit and rotate clockwise until the aerosol starts to release.

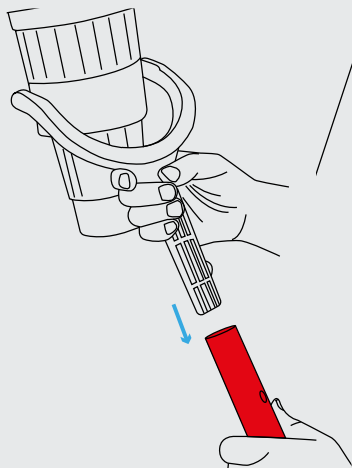
Unscrew the red cup slightly until the aerosol stops releasing.



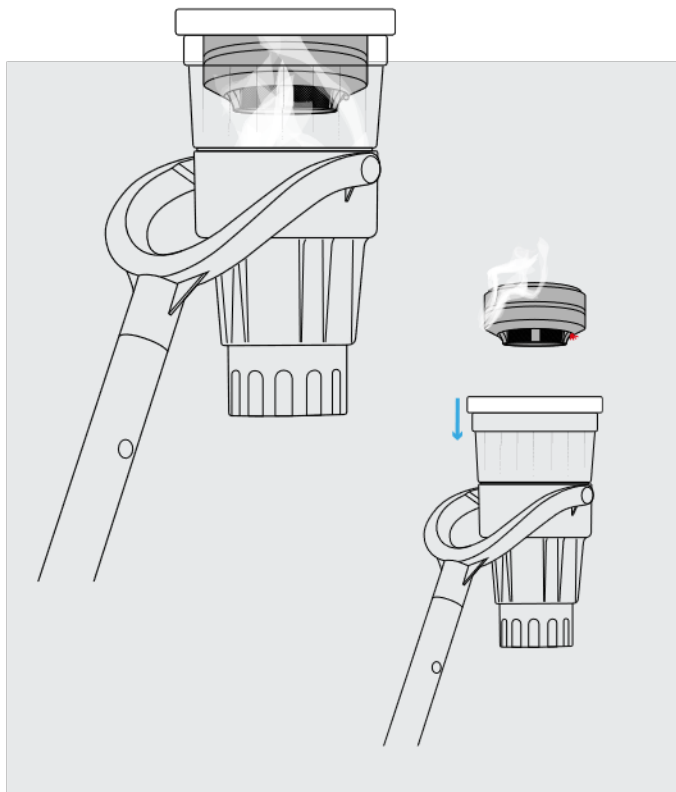
3

Insert the Solo 330/332 into a Solo access pole, raise the Solo 330/332 and position the detector into the clear cup at the top of the unit.

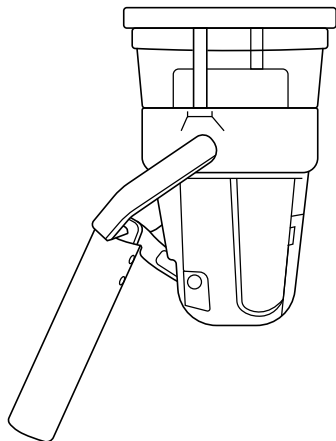
Push gently upwards for maximum 1 second to release a burst of smoke.



-
- 4 Repeat every 10 seconds without removing the detector for maximum of 1 minute until the detector is activated. On alarm, remove cup to allow particles to disperse.



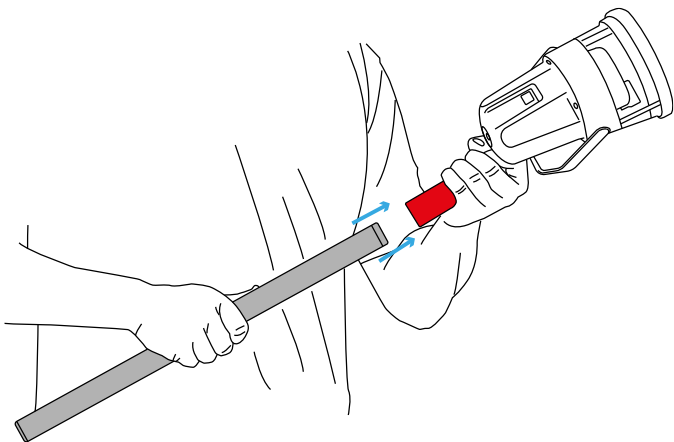
Solo 460 Cordless Heat Detector Tester



-
- 1** Insert a charged battery baton into the base of the unit and ensure the button locks securely in place.

Insert the opposite end of the battery baton into a Solo access pole and ensure the button locks securely in place.

Do not use the battery as an access pole.



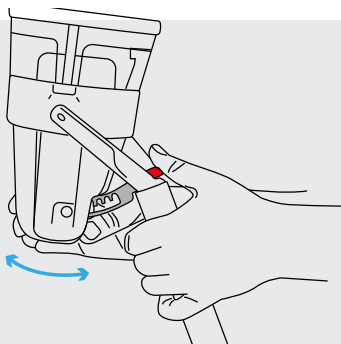
Caution:

Ensure correct orientation when inserting battery baton into tool and do not use undue force. Remove battery when not in use.

2

Adjust the angle by pressing down on the red lever.

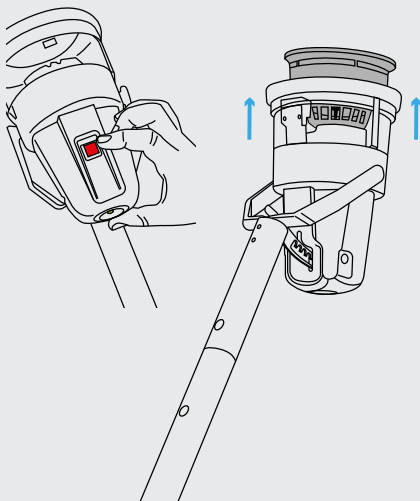
Release the lever at the desired angle to lock the tester head in position.



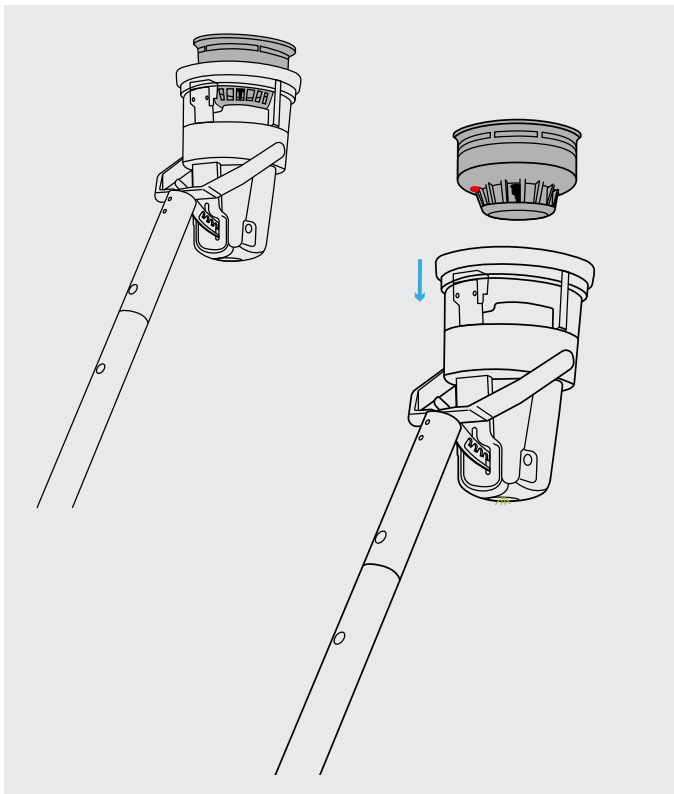
3

Power on the unit by pressing the red button on the side of the tester head.

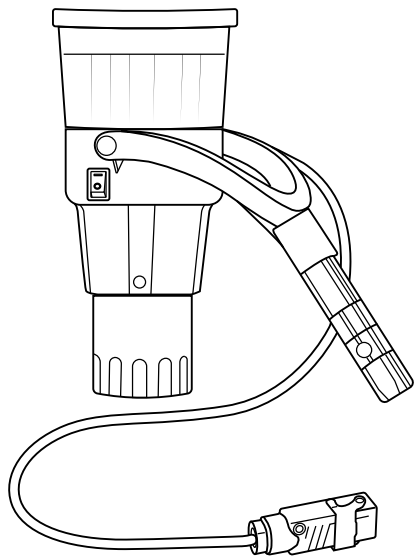
Raise the Solo 460 and position the detector into the clear cup at the top of the unit, ensuring the heat output duct aligns with the thermistor(s) in the detector. The green LED will flash faster.



-
- 4 Hold the unit in place until the detector is activated. Solo 460 will revert to standby mode (slow flashing green LED) and the internal blower will cool the heating element for a few seconds.



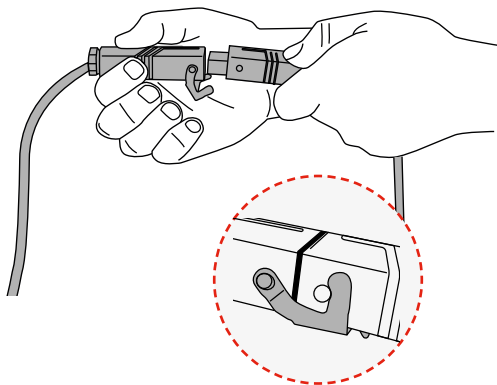
Solo 423/424 Heat Detector Tester



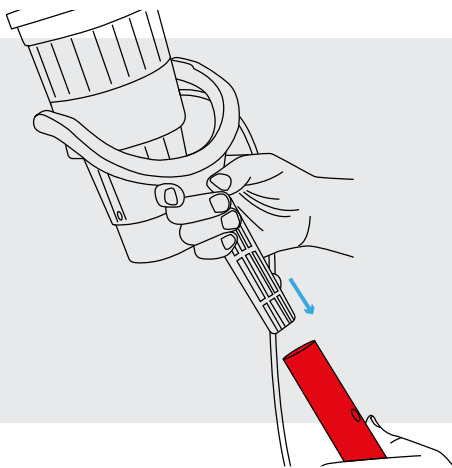
Safety Information:

Do not place hand in cup and touch metal grid.
Do not block air vents

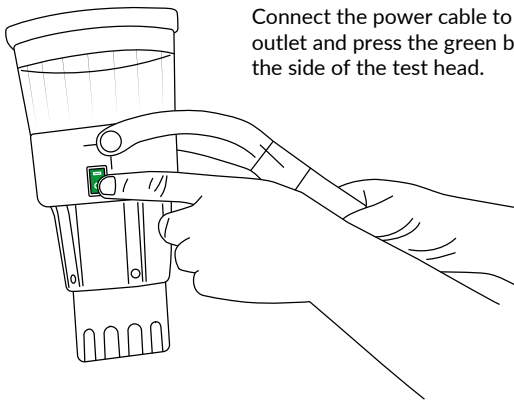
-
- 1** Attach the power cable and secure the clip.



- 2** Insert the Solo 423/424 into a Solo access pole.



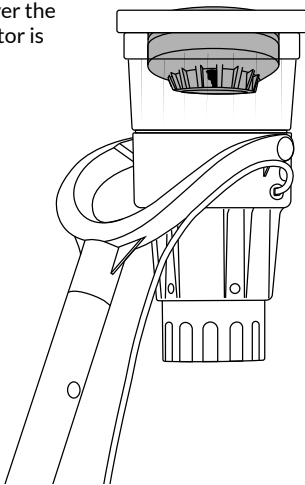
3



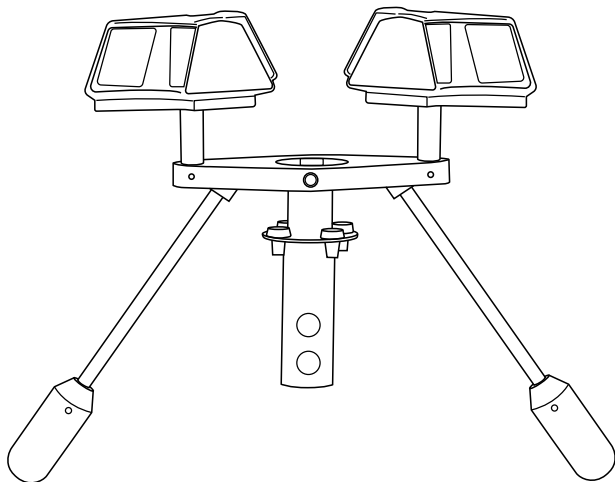
Connect the power cable to power outlet and press the green button on the side of the test head.

4

Hold the unit in place over the detector until the detector is activated.



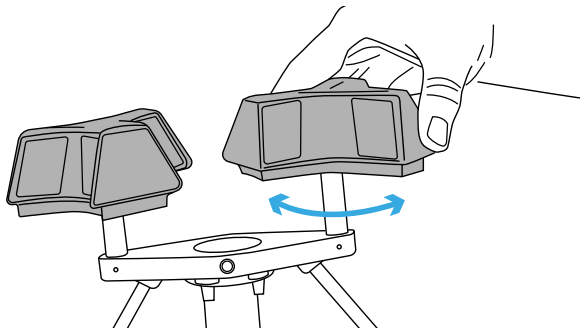
Solo 200 Universal Removal Tool



Important:

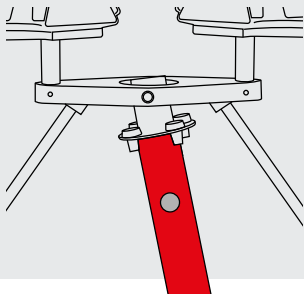
Always wear appropriate protective equipment when working above head height and ensure the area around you is clear to avoid injury.

-
- 1** Adjust the detector grips to the desired size by lifting and rotating each one.

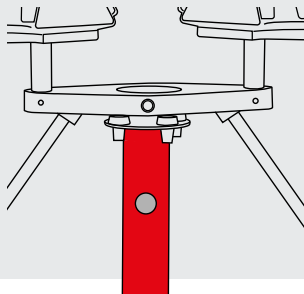


- 2** Insert the Solo 200 into a Solo access pole.

A
Lock the lower button into the pole to allow the removal tool to pivot. This helps when accessing detectors from an angle.



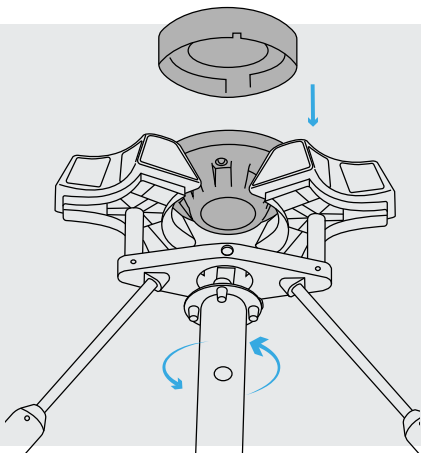
B
Lock the top button into the pole to prevent the removal tool from pivoting. This helps when accessing detectors from directly beneath.



3**To remove a detector from**

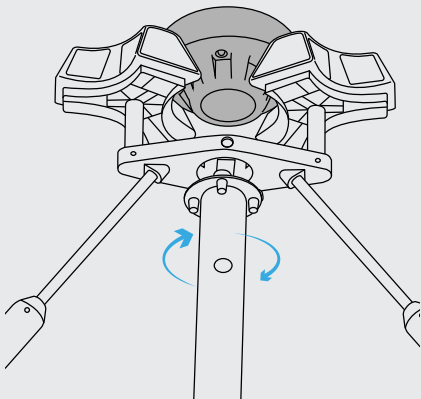
Locate the detector in the center of the removal tool between the two grips.

Twist the detector counter-clockwise to release the detector and lower carefully.

**4****To install a detector onto its base:**

Locate the detector into the base making sure it is correctly aligned to prevent cross threading.

Firmly twist the detector clockwise until the detector locks securely in place.





Specialized Fire Products

SDi, LLC

3535 State Highway 66
Parkway 100 Building 6
Neptune, NJ 07753
USA

Tel: 732-751-9266
sales@sdifire.com
www.sdifire.com



service@sdifire.com