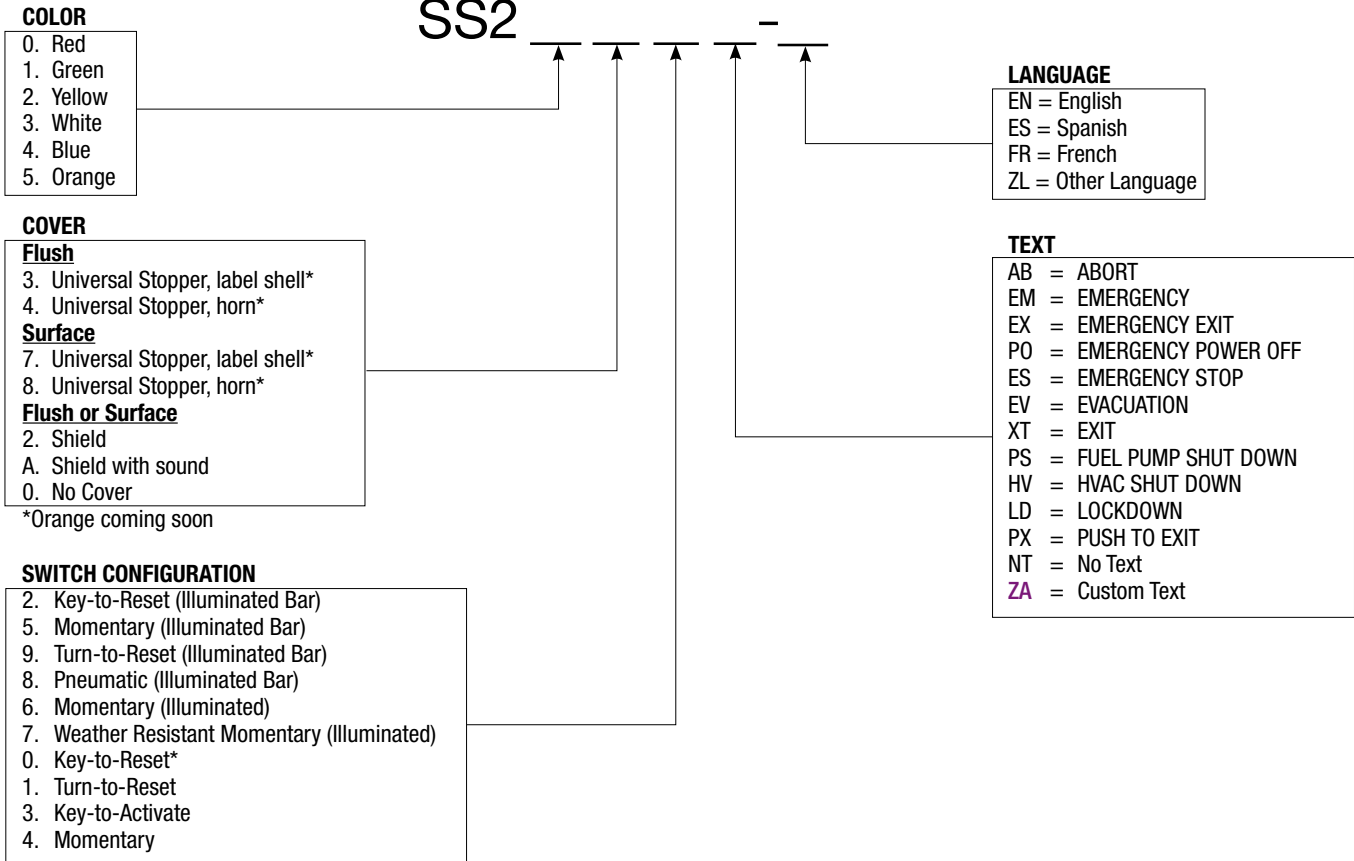


STI Stopper® Station Series

Dimensions and Technical Information



*Not available in orange

CUSTOMIZE YOUR TEXT - text option ZA White text on blue, red and green; black text on yellow, white and orange.

CUSTOM TEXT FOR TOP OF SHELL: 2 LINES, 20 CHARACTERS EACH (INCLUDES SPACES)

ST1																			
ST2																			

CUSTOM TEXT FOR BOTTOM OF SHELL: 1 LINE, 20 CHARACTERS (INCLUDES SPACES)

SB																			
----	--	--	--	--	--	--	--	--	--	--	--	--	--	--	--	--	--	--	--

CUSTOM TEXT COVER 3, 4, 7, 8: 2 LINES, 40 CHARACTERS EACH (INCLUDES SPACES)

C1																				
C2																				

	Safety Technology International	2306 Airport Road Waterford, Michigan 48327, USA	Tel: 248-673-9898 Fax: 248-673-1246 info@sti-usa.com www.sti-usa.com	Taylor House 34 Sherwood Road Bromsgrove, Worcestershire B60 3DR, England	Tel: +44 (0)1527 520 999 Fax: +44 (0)1527 501 999 info@sti-emea.com www.sti-emea.com
		Printed in U.S.A., © 1987-2019 Safety Technology International, Inc.			