

WISENET

BOX CAMERA HOUSING

User Manual

SHB-4301HP



BOX CAMERA HOUSING

User Manual

Copyright

©2018 Hanwha Techwin Co., Ltd. All rights reserved.

Trademark

Each of trademarks herein is registered. The name of this product and other trademarks mentioned in this manual are the registered trademark of their respective company.

Restriction

Copyright of this document is reserved. Under no circumstances, this document shall be reproduced, distributed or changed, partially or wholly, without formal authorization.

Disclaimer

Hanwha Techwin makes the best to verify the integrity and correctness of the contents in this document, but no formal guarantee shall be provided. Use of this document and the subsequent results shall be entirely on the user's own responsibility. Hanwha Techwin reserves the right to change the contents of this document without prior notice.

❖ **Design and specifications are subject to change without prior notice.**

Safety Instructions

The safety instructions below are prepared to avoid physical or monetary damage from an accident, so please read carefully and follow them.

- Do not install the product in a place that contains salt or produces the sulphurous gas.
- Do not insert metal objects or inflammable substances inside.
- Otherwise, it may cause an electric leakage or shock or a fire.
- Put a neutral detergent on the cloth that is used to wipe on the glass surface.
- Do not use chemical substances such as thinner and benzene.
- Use the right tools and wires to install the product in compliance with the safety instructions.



Hanwha Techwin cares for the environment at all product manufacturing stages, and is taking measures to provide customers with more environmentally friendly products.

The Eco mark represents Hanwha Techwin's devotion to creating environmentally friendly products, and indicates that the product satisfies the EU RoHS Directive.

Contents

INTRODUCTION

5

- 5 Product Overview
- 5 Features

INSTALLATION

6

- 6 Installation
- 7 Installing the Camera and Bracket

SPECIFICATIONS

8

- 8 Specifications
- 10 Dimension

Introduction

PRODUCT OVERVIEW

- This CAMERA-HOUSING is designed to install the outdoor CCTV camera securely to protect it from the external conditions.

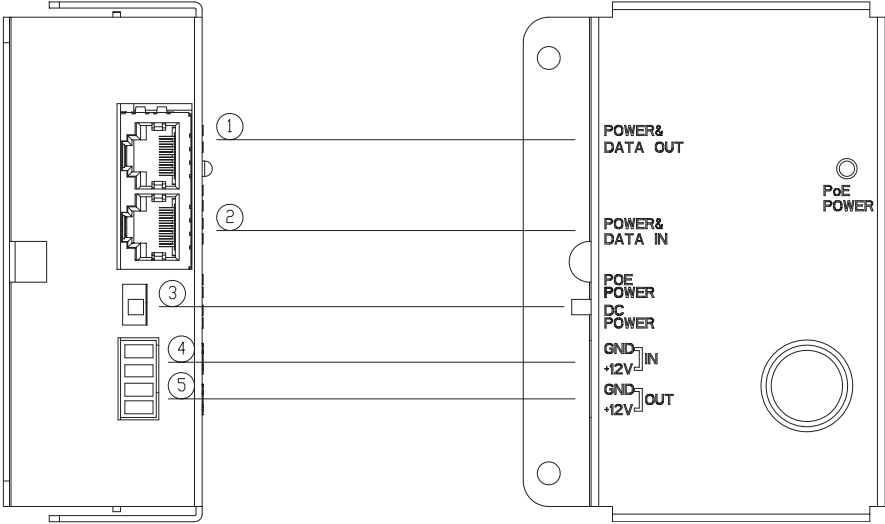
FEATURES

- This product is a 16" camera housing that is designed to guarantee that the outdoor CCTV camera is installed securely for stable operation.
- Firm and secure with the semi-permanent material, it is designed to be in harmony with the surrounding environment and to help the CCTV camera operate stably regardless of the dirt that may accumulate in the installation site and the weather condition.
- In addition to the waterproofness function and built in the PoE+ module, it has the hinges on both sides that are manufactured in the top cover structure, which facilitates the installation and repair work.
- The material of the body frame is made of aluminium that is corrosion-resistant.
- The product is also seamlessly sealed to protect itself from an unexpected external impact.

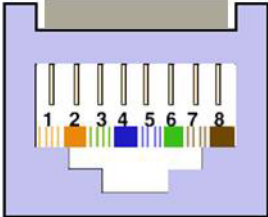
Installation

INSTALLATION

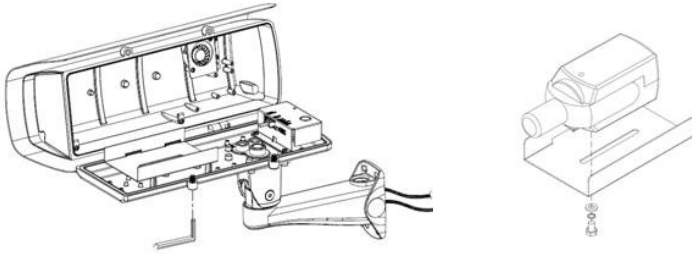
Wiring Diagram



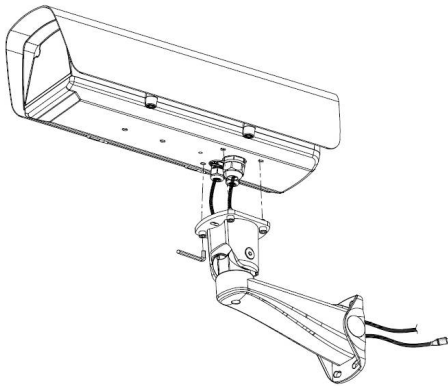
RJ45 Terminal Layout

Terminal Layout	Pin	Input	Output
	1	Tx+ + Power2_A	Tx+
	2	Tx- + Power2_A	Tx-
	3	Rx+ + Power2_B	Rx+
	4	Power1_A	POE POWER +
	5	Power1_A	POE POWER +
	6	Rx- + Power2_B	Rx-
	7	Power1_B	POE POWER -
	8	Power1_B	POE POWER -

INSTALLING THE CAMERA AND BRACKET



- Use 5mm wrench, open the housing top part. Remove the camera plate, Install the camera on the camera plate and screw up. Check the lens and focus and Close the housing top part and screw up tightly.



- Use 5mm wrench, Install the bracket on the camera mount part and screw up tightly

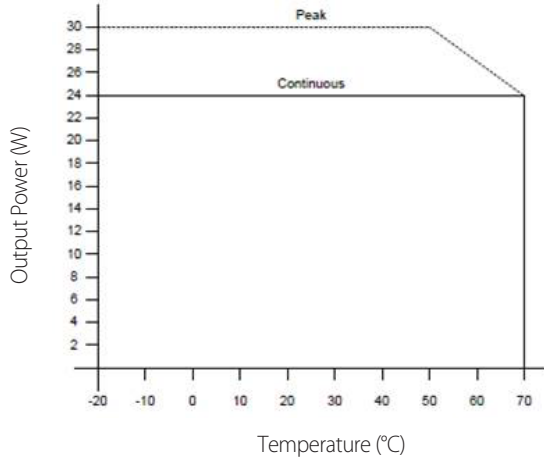
Specifications

SPECIFICATIONS

		SHB-4301HP
Purpose	Outdoor Housing	
Product Name	Box Camera Housing	
Features	PoE function, Dustproof, Waterproof, IP66	
Material	Aluminium Die-Casting ADC 12	
Use Condition	-35°C ~ +50°C	
Weight	2.5kg (without Bracket)	
Input Power	DC12V(Min30W) & PoE+ Power(IEEE802.3at)	
Output Power	Fan	2W
	Defroster	5W
	Heater	5~9W
Operation	Temperature	Fan : UP 35°C± 2°C ON Under .30°C± 2°C OFF
		Heater : Under 5°C± 5°C ON Up .15°C± 5°C OFF
		Defroster : Always ON
Dimension	Outside	184mm(W) X 127mm(H) X 460mm(D)
	Inside	99mm(W) X 80mm(H) X 250mm(D)
Color	Ivory	
Accessories	Housing:	¼"-20X3/8" Screw (x2), Spring Washer (x1),
		Flat Washer (x1), Wrench(x1),
		Gland Cable Cap (x2)
	Bracket	¼" × 1/2" Screw (x4)

SHB-4301HP

Functional Relation Chart



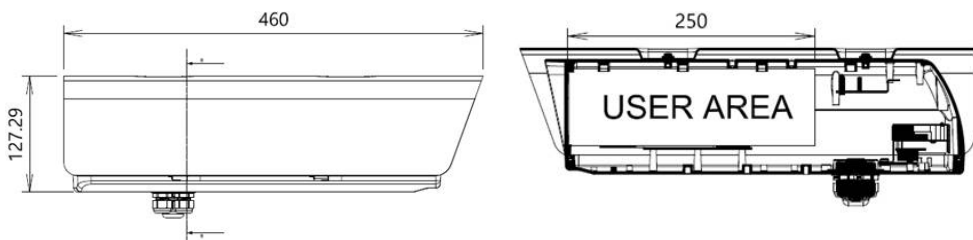
※ The specification for this product may change without prior notice for product improvement.

Specifications

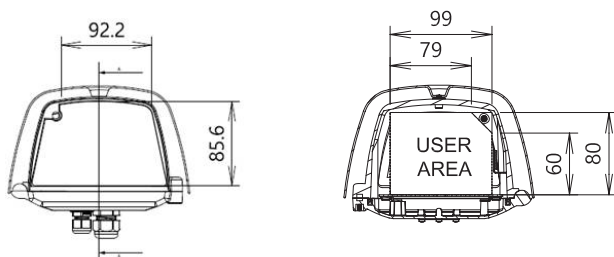
DIMENSION

- Body

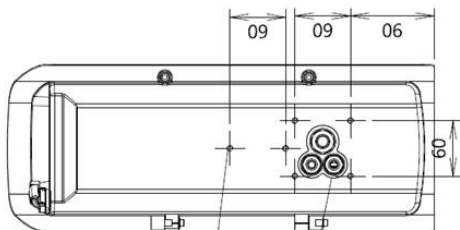
Unit: mm



- Front



- Mount Base



6-UNC 1/4-20

CONNCORD NPT3/8 2PCS
NPT1/2 1PCS

Head Office

6, Pangyo-ro 319 beon-gil, Bundang-gu, Seongnam-si,
Gyeonggi-do, 463-400 Rep. of KOREA
Tel : +82.70.7147.8753 Fax : +82.31.8018.3740
www.hanwha-security.com

Hanwha Techwin America

500 Frank W. Burr Blvd. Suite 43 Teaneck, NJ 07666
Toll Free +1.877.213.1222 Direct +1.201.325.6920
Fax +1.201.373.0124
www.hanwha-security.com

Hanwha Techwin Europe

Heriot House, Heriot Road, Chertsey, Surrey, KT16 9DT, United Kingdom
Tel +44.1932.57.8100 Fax +44.1932.57.8101
www.hanwha-security.eu
