

SBP-317HMW

Hanging mount



FC |  | CE | EAC

Key Features

- Can be used with PNM-9084RQZ/9085RQZ/9080VQ/PNM-9081VQ
- Mount screw size : PF 1 1/2"
- White

Environmental

Operating Temperature / Humidity	-50°C ~ +60°C (-58°F ~ +140°F) / 0~100% RH
---	--

Mechanical

Color	White
--------------	-------

Material	Aluminum
-----------------	----------

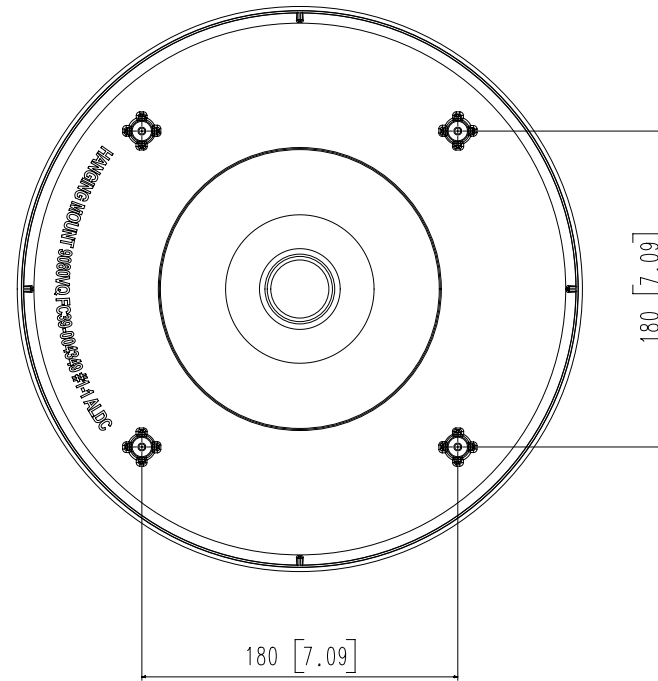
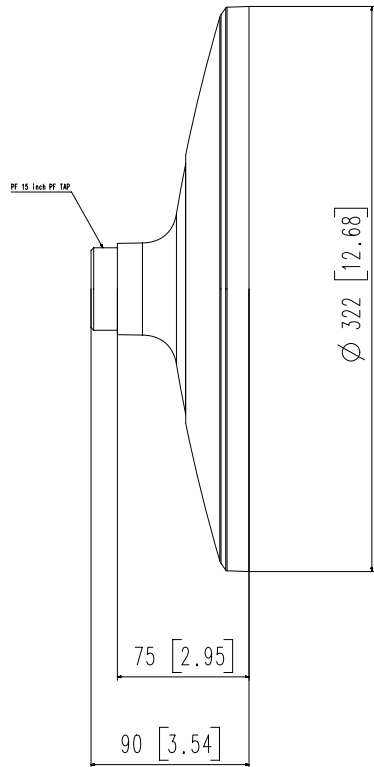
RAL code	RAL9003
-----------------	---------

Product dimensions / weight	Ø322x90mm(12.68"x3.54"), 980g(2.16 lb)
------------------------------------	--

Mount Screw size	PF 1 1/2"
-------------------------	-----------

Supported products	PNM-9084RQZ/9085RQZ ※ For further compatible models, please visit our website or use Toolbox
---------------------------	---

- The latest product information / specification can be found at hanwha-security.com
- Design and specifications are subject to change without notice.
- Wisenet is the proprietary brand of Hanwha Techwin, formerly known as Samsung Techwin.



2	SBP-317HMW	19.09.18
1	SBP-317HM	17.03.17
No.	MODEL NAME	DATE
Unit:mm[inch] SCALE:1/1		Hanwha Techwin