

Hanging Mount

SBP-317HMWP

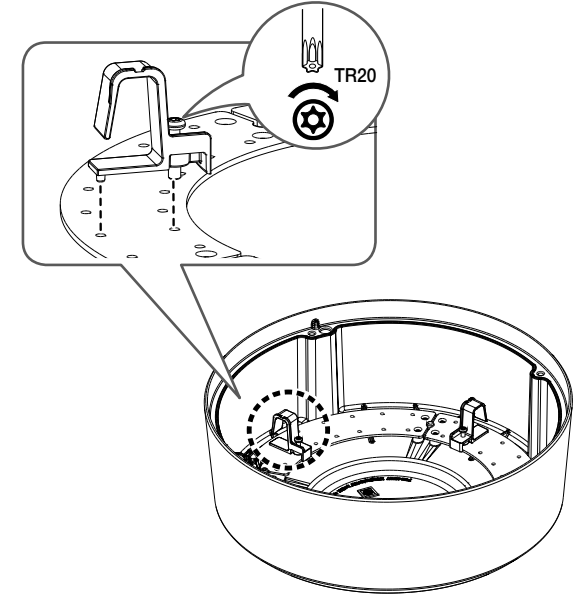


Product Overview

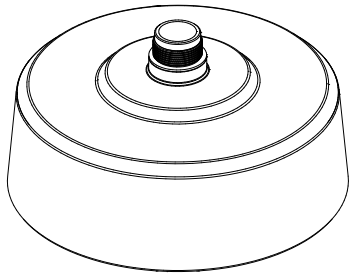
The SBP-317HMWP is a hanging mount that is used for mounting compatible cameras on wall mounts (SBP-390WMW2). (For compatible models, please visit our website.)

Installation

1



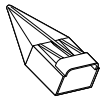
Package



1EA



4EA



1EA



1EA

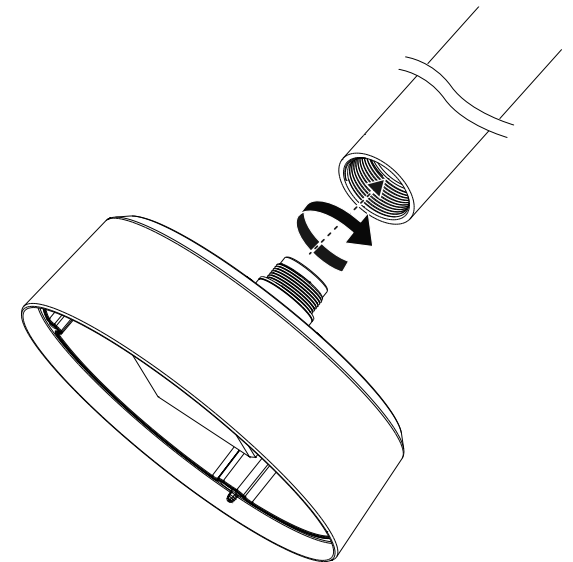


4EA

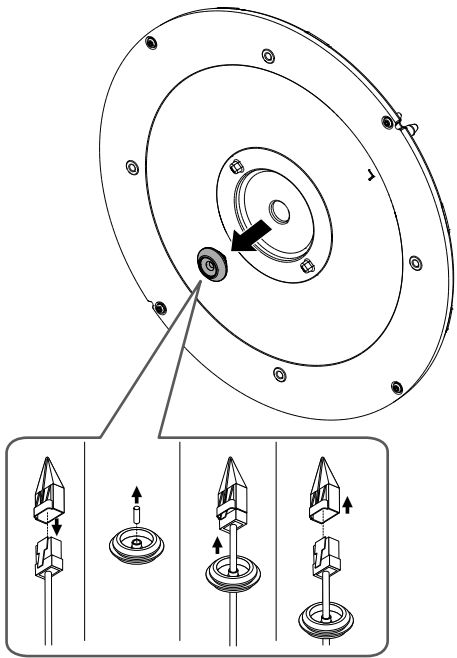
Installation Precautions

- Make sure that the installation place can endure at least 4 times of the total weight of the Hanging Mount Adaptor, Camera, and Wall/Ceiling/Parapet Mount Adaptor.
- The Hanging Mount Adaptor can be also connected to 1 1/2" PF screw-thread pipe as well as to the Wall/Ceiling/Parapet Mount Adaptor.

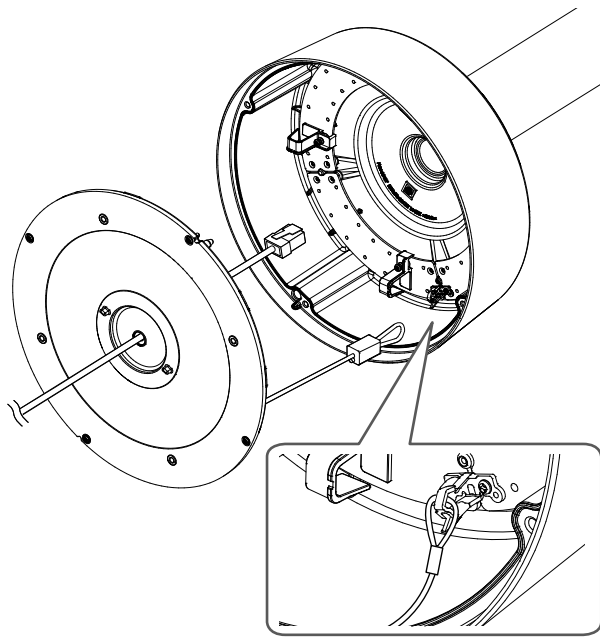
2



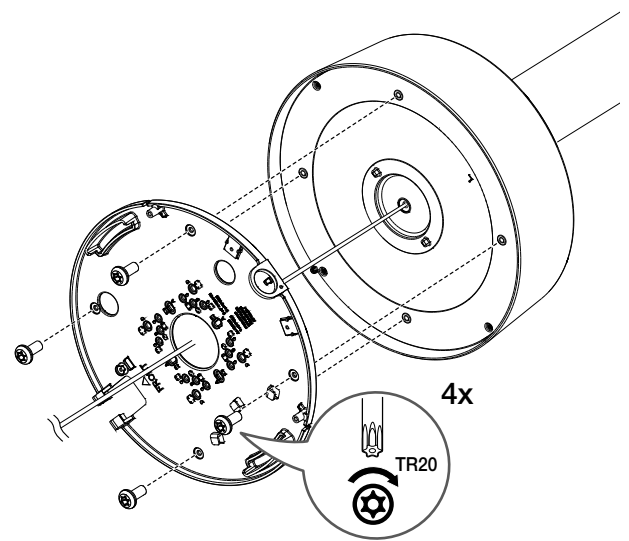
3



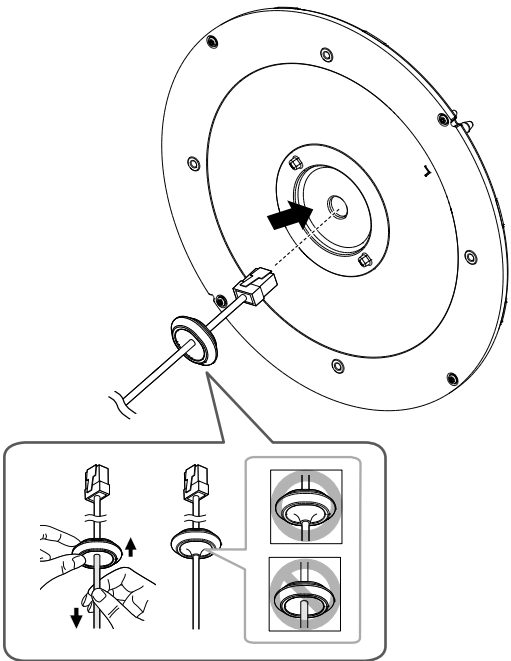
5



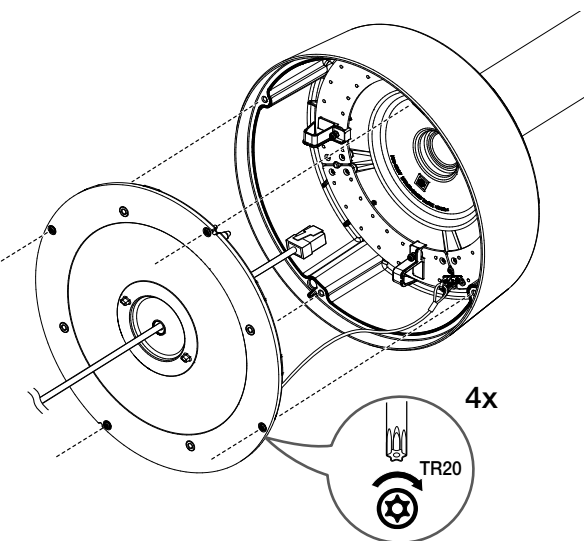
7



4



6



8

