



Quick Start Guide

084S



Welcome

Thank you for purchasing this network camera!

This owner's manual is designed to be a reference tool for your system.

Please read this manual carefully before operating the unit and retain it for future reference.

Should you require any technical assistance, contact Speco Technologies Tech Support at 1-800-645-5516

Important Safeguards and Warning

1. Electrical safety

All installation and operation here should conform to local electrical safety codes.

Use included power supply only.

Please note: Do not connect two power supplying sources to the device at the same time; it may result in device damage! The product must be grounded to reduce the risk of electric shock.

Improper handling and/or installation could run the risk of fire or electrical shock.

2. Environment

Heavy stress, violent vibration or exposure to water is not allowed during transportation, storage and installation.

This product should be installed in a cool, dry place away from direct sunlight and heat sources.

Do not install the product in extreme temperature conditions.

Do not expose the camera to electromagnetic radiation. Otherwise it may result in CMOS sensor failure.

Do not block any ventilation openings.

Do not allow water and liquid intrusion into the camera.

3. Operation and Daily Maintenance

Please shut down the device and then unplug the power cable before you begin any maintenance work.

Do not touch the CMOS sensor optic component. You can use a blower to clean the dust on the lens surface.

Always use the dry soft cloth to clean the device. If there is too much dust, use a cloth

dampened with a small quantity of neutral detergent. Finally use the dry cloth to clean the device.

Please use a professional optical cleaning method to clean the enclosure. Improper enclosure cleaning (such as using cloth) may result in poor IR functionality and/or IR reflection. The grounding holes of the product are recommended to be grounded to further enhance the reliability of the camera.

Warning

This camera should be installed by qualified personnel only.

All the examination and repair work should be done by qualified personnel.

Any unauthorized changes or modifications could void the warranty.

Statement

This guide is for reference only.

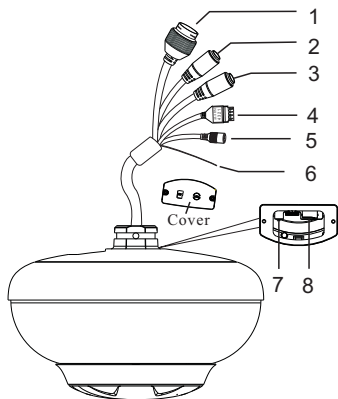
Product, manuals and specifications may be modified without prior notice. Speco Technologies reserves the right to modify these without notice and without incurring any obligation.

Speco Technologies is not liable for any loss caused by improper operation.

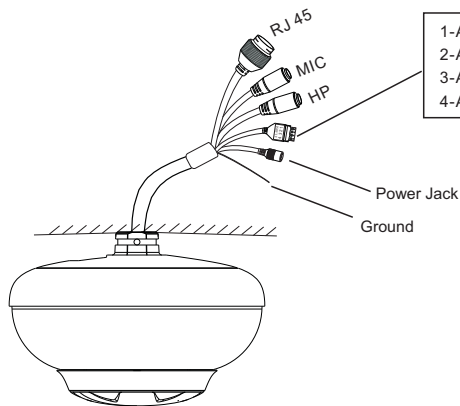
Note:

Before installation, check the package and make sure that all components are included. Contact your rep or Speco customer service department immediately if something is broken or missing in the package.

1 Overview



- 1 Ethernet Connector(PoE)
- 2 MIC-Audio Input
- 3 HP-Audio Output
- 4 Alarm Input/Output
- 5 Power Jack
- 6 Ground
- 7 Reset
- 8 Micro SD slot



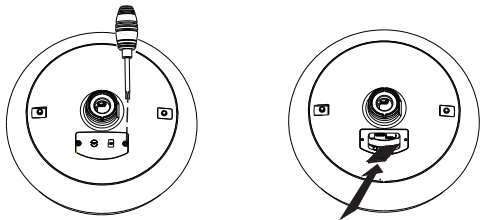
- 1-ALARM-OPEN
- 2-ALARM-COM
- 3-ALARM-GND
- 4-ALARM-IN1

2 Installation

This camera can be installed in different way. Please select a way to install as needed. The following instructions are for reference only. Please make sure the installation surface is strong enough to bear the dome camera's weight and the camera is powered off during installation.

As dirt, dust, or fingerprints on the bubble will reduce the clarity of the image, please keep it clean in the course of installing or using but **DO NOT** directly touch or wipe it.

● Memory Card Installation

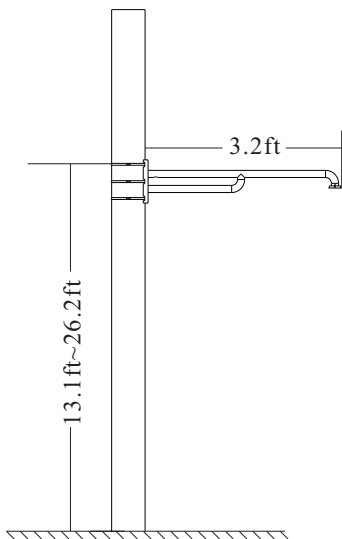


1. Unscrew the cover of the memory card.
2. Insert a micro SD card and then install the cover back with the screws.

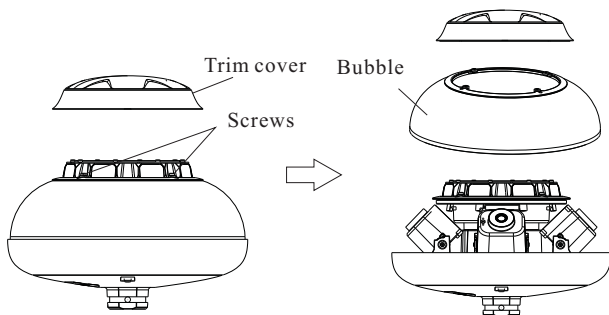
● Pole Mounting

1. Install the bracket to the pole according to the following picture. It's recommended that this panoramic camera is mounted 1 m (3.2feet) away from the pole, to avoid the IR light beam reflected from the pole into the camera lens, resulting in image blur.

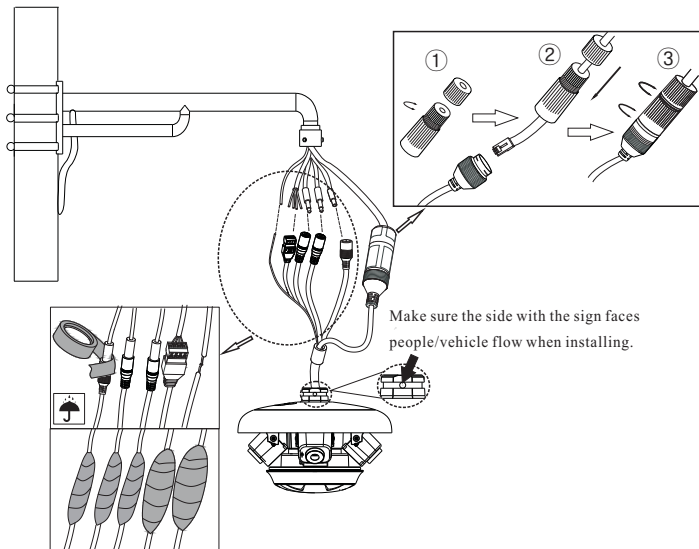
The recommended installation height ranges from 4m to 8m(13.1ft~26.2ft).



2. Pull out of the trim cover of the bubble. Then unscrew the bubble as shown below.

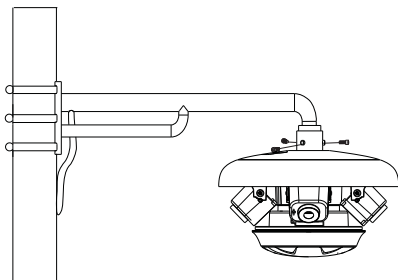


3. Connect the relevant cables.



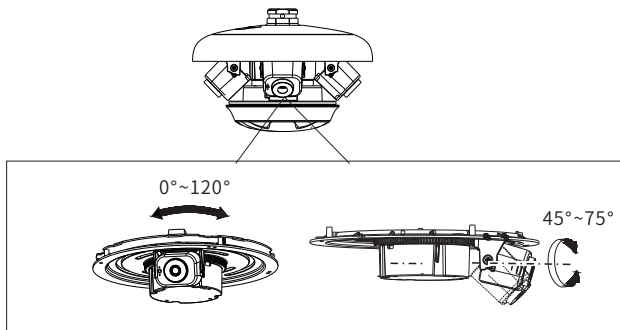
- ① Loosen the nut from the main element.
- ② Run the network cable (without RJ 45 connector) through the both elements. Then crimp the cable with RJ 45 connector.
- ③ Connect the cable to the hermetic connector. Then tighten the nut and the main cover.

4. Attach the camera to the bracket with screws.

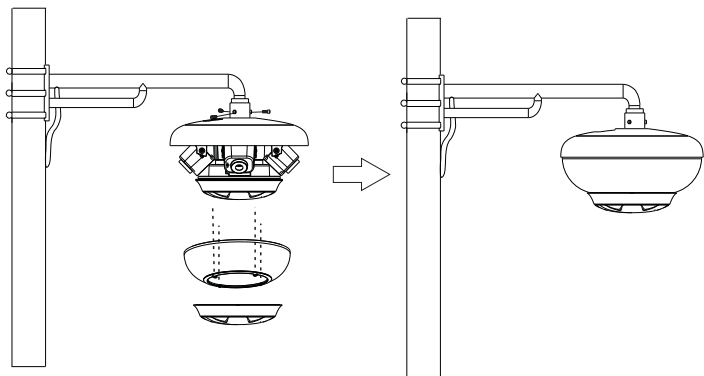


5. Adjust the view angle of each lens module. Before adjustment, please view the image on a monitor.

Note: This camera has four 4mm lens modules, each of them covers 90° horizontal field of view. Thus, it totally can cover 360° panoramic view. The camera has adjusted the lens modules for best and large view angle before delivery, but you can still re-adjust the lens angle as needed. Each lens module could manually slide $0^\circ\sim 120^\circ$, and move $45^\circ\sim 75^\circ$ vertically.



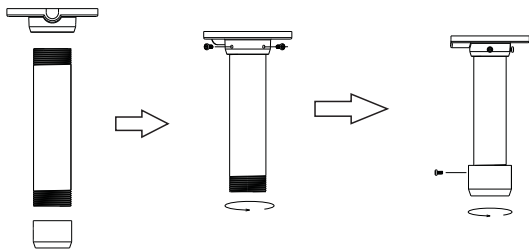
6. Install the bubble back to its original position with four screws. Then put the trim cover onto the bubble to finish the installation.



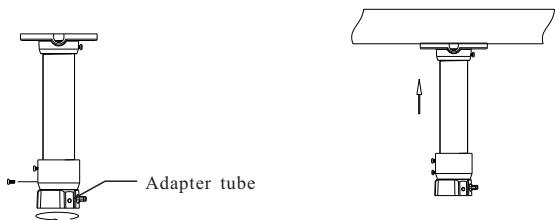
● Indoor Mounting

It is recommended to install the camera in the center of the ceiling.

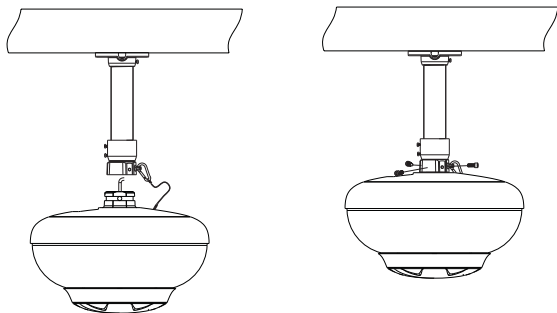
1. Install the ceiling mounting bracket according to the following diagram. (ceiling mounting bracket included)



2. Mount the adapter tube to the bracket and fix it with a screw.
3. Secure the ceiling mounting bracket to the ceiling.



4. Connect cables and then hook the safety wire to the adapter stem.
5. Secure the camera to the adapter tube with screws firmly.



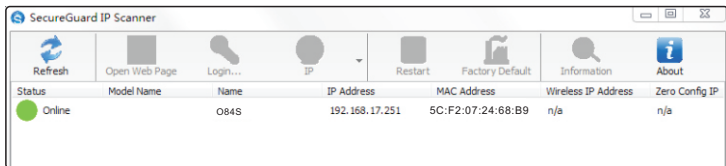
Note: for the lens adjustment, please refer to the pole mounting for details.

3 Web Operation and Login

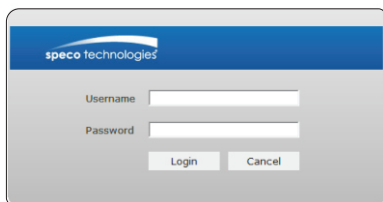
IP Scanner can search for the device on the local network.

● Operation

- ① Make sure that the camera and the PC are connected to the same local network. The camera is set to DHCP by default.
- ② Install IP Scanner from the CD and run it after installation.



- ③ In the device list, you can view the IP address, model number, and MAC address of each device. Select the applicable device and double click to open up the web viewer. You can also manually enter the IP address in the address bar of the web browser.



The login interface is shown above. Default user name is admin and password is 1234. After logging in, follow directions to install applicable plugins.