

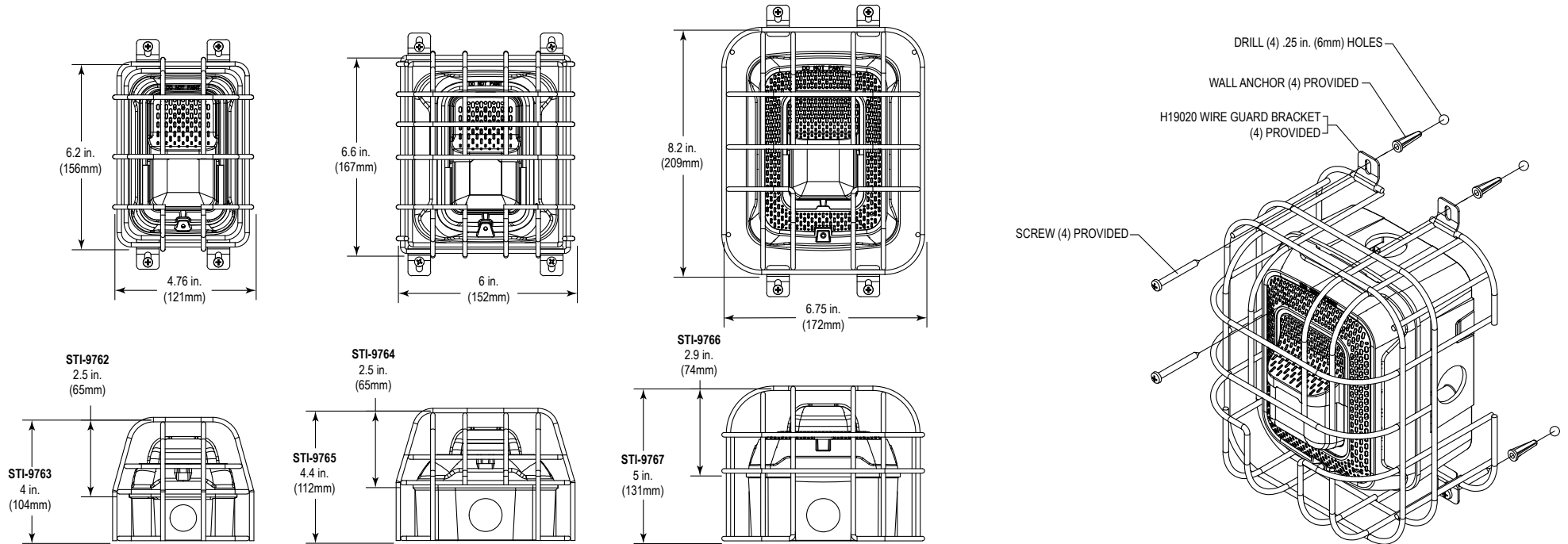


Safety Technology International

2306 Airport Road
Waterford • Michigan • 48327-1209
Phone: 248-673-9898
E-mail: info@sti-usa.com • Web: www.sti-usa.com

Taylor House • 34 Sherwood Road • Bromsgrove
Worcestershire • B60 3DR • England
Tel: +44 (0)1527 520 999
E-mail: info@sti-emea.com • Web: www.sti-emea.com

Unit 7A • Lockheed Avenue
Airport Business Park
Waterford • X91 HWF2 • Ireland
E-mail: info@sti-emea.com



IMPORTANT

Do not attempt to install the guard until the notification device has been tested and in proper working order according to the manufacturer's installation directions furnished with the sensor unit.

INSTALLATION INSTRUCTIONS

1. Center wire cage over horn/strobe (if using back box align conduit openings).
2. Mark and drill (4) mounting holes (see pictorial for size).

SERVICE

1. Wire guard requires periodic cleaning to prevent accumulation of dust and other matter.
2. To service notification device according to manufacturer recommendations, loosen but do not remove the (4) screws, rotate (3) clamps off wire guard and carefully rotate wire guard.

LIGHT AND SOUND DE-RATING FACTOR

STI-9762, STI-9763

HGRL, HGWL, P2GRL, P2GWL, SGRL, SGWL, HGRL-LF, HGWL-LF light loss 17% sound loss <1%

STI-9764, STI-9765

HRL, HWL, CHRL, CHWL, CHSRL, CHSWL, P2RL, P2WL, P4RL, P4WL, SRL, SWL, P2RL-LF, P2WL-LF, HRL-LF, HWL-LF light loss 69%, sound loss <1%

STI-9766, STI-9767

SPRL, SPWL, SPSRL, SPSWL light loss 21%, sound loss <1%

Three year warranty or a one year limited warranty (from date of purchase) on most products. See website for details.
Electronic warranty form at www.sti-usa.com/wc14.



USA

STI-9762 - STI-9767 L SERIES WALL

All specifications and information shown were current as of publication and are subject to change without notice.

L SERIES WALL JAN2022



ADDITIONAL WIRE GUARDS AVAILABLE

Visit www.sti-usa.com/w1 for complete details

All dimensions are approximate

SMOKE DETECTOR GUARDS

STI-9601	8.25 x 2.75"
STI-9601-SS	8.25 x 2.75"
STI-9602	8.25 x 4.25"
STI-9604	7 x 3.25"
STI-9604-SS	7 x 3.25"
STI-9605	7.125 x 4.5"
STI-9605-SS	7.125 x 4.5"
STI-9609	8.25 x 4.6"
STI-9609-SS	8.25 x 4.6"

STI-9610	8.25 x 6"
STI-9712	6.87 x 4.53"
STI-9713	6.87 x 2.50"



STI-9604-SS STI-9605

BEAM SMOKE DETECTORS

STI-9623	7.75 x 6 x 6"
STI-9624	8.875 x 5.5 x 4.75"
STI-9706	10.82 x 9.32 x 4"
STI-9707	11 x 9.62 x 5.5"
STI-9840	6.61 x 5.78"
STI-9841	11.52 x 10 x 3.58"
STI-9845	6.7 x 9.2 x 4.07"
STI-9846	7.6 x 11.6 x 5.6"



STI-9624

PIR GUARDS

STI-9618	4.62 x 5.37 x 3"
STI-9619	7.75 x 5.37 x 5.62"
STI-9620	6.25 x 4 x 2.25"
STI-9621	7 x 5.75 x 4.50"
STI-9622	8.75 x 4 x 3.75"



STI-9618 STI-9621

CLOCK/BELL WIRE CAGES

STI-9631-R	10.5" Diameter - Red
STI-9635	14.25" Diameter
STI-9636	20.75" Diameter
STI-9637	26.75" Diameter



STI-9636

EXIT SIGN WIRE CAGES

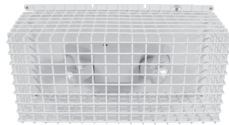
STI-9640	10.5 x 13.75 x 2.75"
STI-9740	15.5 x 20.5 x 6"
STI-9742	15.59 x 16.09 x 3.30"



STI-9640

EMERGENCY LIGHT CAGES

STI-9641	19.7 x 14.6 x 4"
STI-9644	8.7 x 17.7 x 5"
STI-9645	13.8 x 21.7 x 5.9"
STI-9649	10.75 x 24.75 x 11.25"
STI-9703	5 x 13.5 x 4"



STI-9649

BEACON & SOUNDER CAGES

STI-9614	7.9 x 6"
STI-9615	3.7 x 3.5"
STI-9617	5.9 x 4.9"
STI-9664	3.86 x 6.18"
STI-9665	7 x 8.43"
STI-9750	9.6 x 2.8"
STI-9754	8.4 x 9.2 x 3.5"
STI-9760	8.5 x 3.2"
STI-9761	8.5 x 5.7"
STI-9762	6.2 x 4.75 x 2.5"
STI-9763	6.2 x 4.75 x 4"
STI-9764	6.6 x 6 x 2.5"
STI-9765	6.6 x 6 x 4.4"
STI-9766	8.2 x 6.75 x 2.9"
STI-9767	8.2 x 6.75 x 5"



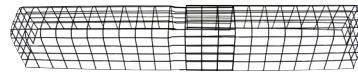
STI-9615



STI-9664

MISCELLANEOUS WIRE CAGES

STI-9705	7.4 x 6.15 x 3.39"	STI-9731	12 x 12 x 8"
STI-9708	7.49 x 6.74 x 6.09"	STI-9732	18 x 15 x 13"
STI-9711	8.26 x 8.26 x 3.54"	STI-9880	10.45 x 62.75 x 6.2"
STI-9714	8.55 x 8.55 x 6.23"	STI-9881	10.45 x 98.25 x 6.2"
STI-9717	6.1 x 9.3 x 2.4"	STI-101075	10 x 10 x (63 to 75)"
STI-9720	6.1 x 9.3 x 4.9"	STI-241416	33.25 x 23.29 x 16"
STI-9729	7 x 7 x 7"	STI-282121	39.06 x 32.01 x 21.29"
STI-9730	12 x 12 x 12"		



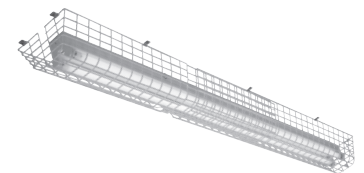
STI-101075



STI-9705



STI-9729



STI-9880