

Installation and Service Instructions

Stopper® Station Series Push Button

Models SS2xx2, SS2xx5, SS2xx9



ADA
Compliant



NOTE For LTUL Models, Form “C” contacts on timer, Rated 30 VDC 3A, the enclosed timer is to be used and installed per the enclosed LT-1UL installation sheet. LTUL Models, Form “C” contacts on timer, Rated 30 VDC 3A maximum rating 30 VDC 3A. For access control installations, power for the LT-1 Timer must be supplied by a power source listed to UL294. When used for access control, this device shall be used as part of an access controlled egress door system. It is up to the local AHJ to allow use of this device in place of an automatic sensor. For higher security installations, lower time limits should be used.

REMARQUE Pour les modèles LTUL Models, Form “C” contacts on timer, Rated 30 VDC 3A, la minuterie intégrée doit être installée et utilisée suivant la fiche d’installation LT-1UL fournie. La cote maximale des modèles LTUL Models, Form “C” contacts on timer, Rated 30 VDC 3A est de 30 VCC 3A. Pour les installations de contrôle d’accès, l’alimentation de la minuterie LT-1 doit être fournie par une source homologuée UL294. Lorsque cet appareil est utilisé aux fins de contrôle d’accès, il doit faire partie d’un système de porte de sortie à accès contrôlé. Il incombe donc à l’AHJ local d’autoriser l’utilisation de cet appareil au lieu d’un capteur automatique. Pour les installations de sécurité plus renforcée, des délais inférieurs doivent être utilisés.

Switch Rating

2 Form C Contacts
125/250 VAC, 10A, ½ HP
30 VDC, 6A

LED Power

12-24 VAC/VDC, 21 mA
(Power Supply Not Included)

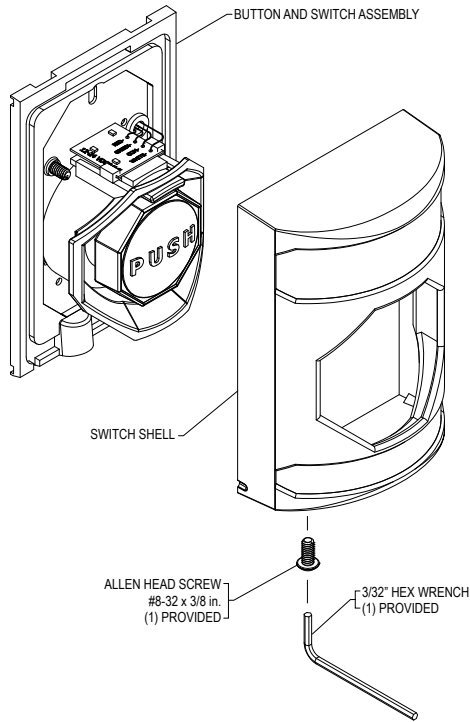
UL294 Performance Levels:

Line Security: I
Attack: I
Endurance: IV
Standby Power: I

LTUL Models

Form “C” Contacts on Timer
Rated 30 VDC 3A

Housing Installation



Procedure

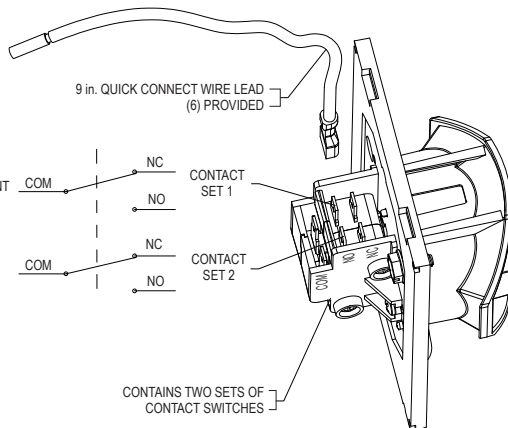
1. Pull bottom of shell out and lift up until tabs are released from slots in top of switch assembly.
2. Once complete, secure shell with screw and hex wrench (shown).

Wire Connections

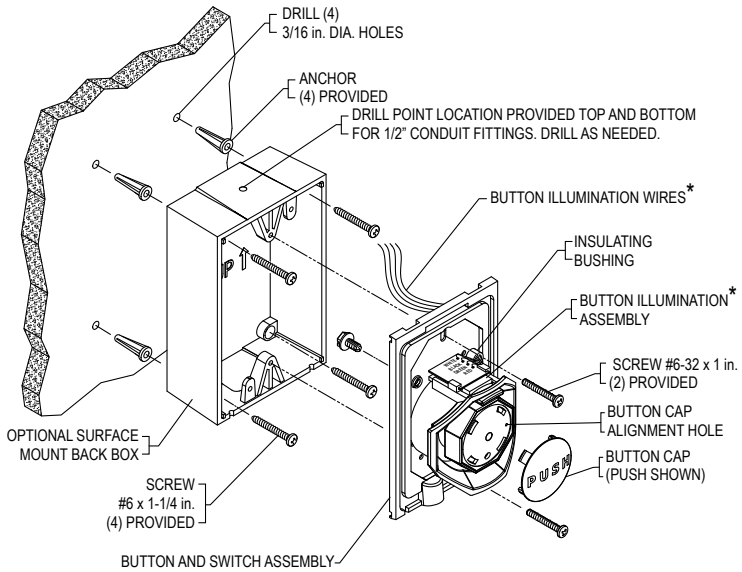


MAKE SURE LEAD IS FULLY CONNECTED TO MOUNTING TAB

ASSUREZ-VOUS QUE LE FIL EST ENTièrement CONNECTÉ À LA PATTE DE MONTAGE



Installation

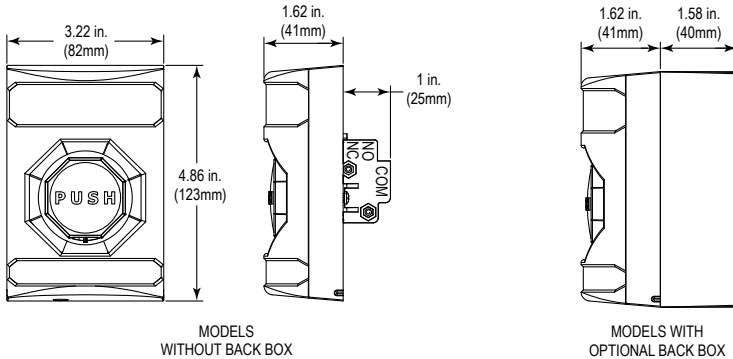


NOTE

ADA MOUNTING COMPLIANCE REQUIRES THE OPERABLE PART OF THE INITIATING DEVICE SHALL NOT BE LESS THAN 1.1 m (3 1/2 ft.) OR GREATER THAN 1.37m (4 1/2 ft.) ABOVE FINISHED FLOOR SURFACE.

✱ BUTTON ILLUMINATION WIRING
 12-24 VAC/DC, 21mA EACH COLOR
 BLACK - GROUND (-)
 WHITE - WHITE LED (+)
 GREEN - GREEN LED (+)
 RED - RED LED (+)

Product Dimensions

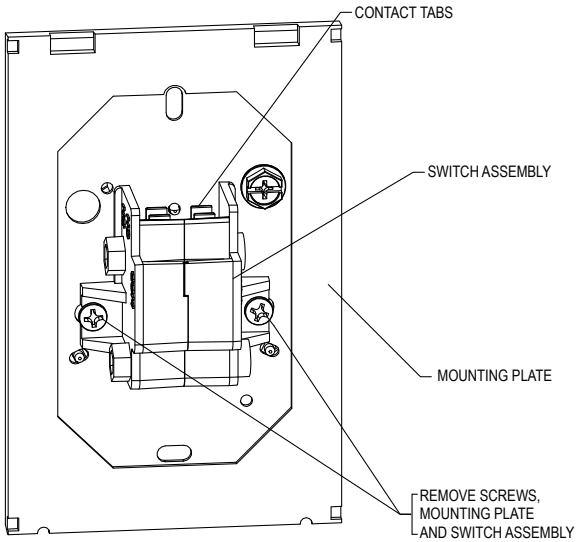


On Site Button Reconfiguration

Stopper Station button is configured as ordered. If needed, installer can reconfigure function to: Key-to-Reset, Momentary or Turn-to-Reset.

Contact technical support at 248-673-9898 for assistance.

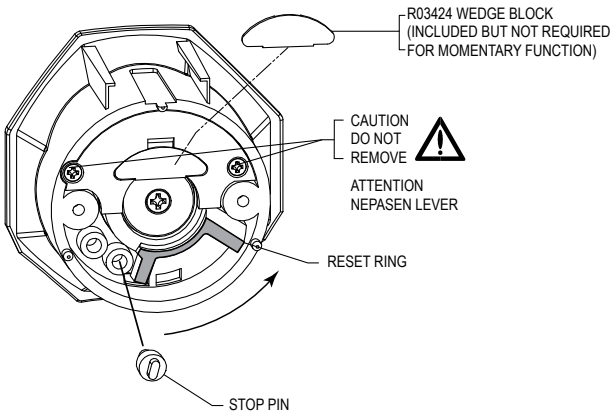
Changing Push Button Function



1. Remove contact block screws from mounting plate.
2. Remove the plate and use directions provided.
3. Reassemble backplate and contact box (ensure contact tabs are facing up as shown).
4. If reconfiguring from Turn-to-Reset, remove Turn-to-Reset label.

Note: If you remove stop pin and wedge block, consider keeping for potential future use.

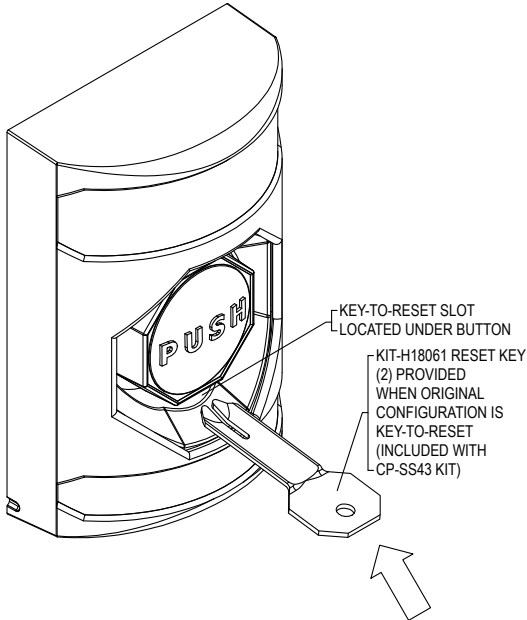
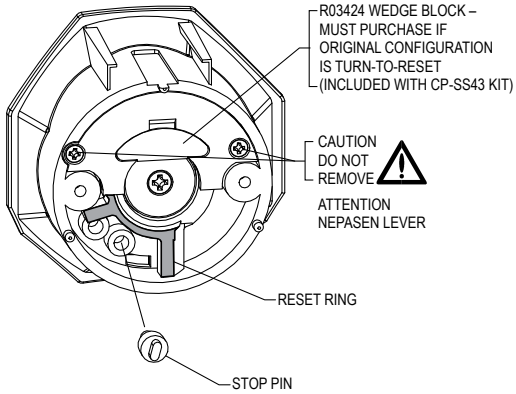
Button Function Momentary



Procedure

1. Rotate reset ring counterclockwise as shown above.
2. Place stop pin in position shown.
3. If converting from Key-to-Reset, disregard key.

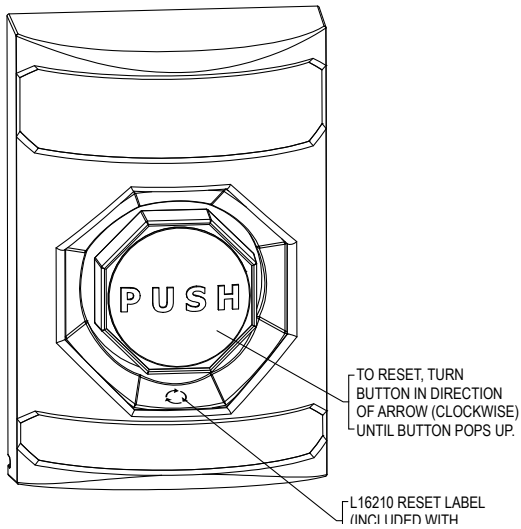
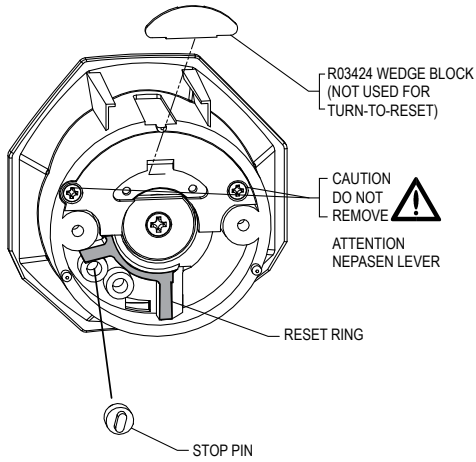
Button Function Set-up – Key-To-Reset



Procedure

1. Remove stop pin from position shown.
2. Once pin is removed, reset ring will rotate clockwise as shown above.
3. Replace stop pin in right hole.
4. Call STI for wedge block if original configuration is Turn-to-Reset.
5. If converting from Turn-to-Reset or momentary, call STI for key (KIT-H18061).

Button Function Set-up – Turn-To-Reset



Procedure

1. Remove wedge block.
2. Remove stop pin from right hole.
3. Reset ring will rotate clockwise as shown.
4. Place stop pin in left hole.
5. If converting from either momentary or Key-to-Reset, call STI for reset label (L16210).

Warranty

Three year guarantee against breakage of polycarbonate in normal use (one year on electro mechanical and electronic components).

Electronic warranty form at www.sti-usa.com/wc14.

⚠ WARNING: This product can expose you to chemicals including Dichloromethane, which is known to the State of California to cause cancer, and Bisphenol A (BPA), which is known to the State of California to cause birth defects or other reproductive harm.
For more information go to www.P65Warnings.ca.gov.

Safety Notice to Installers and Users

This push button has been tested according to UL2017. It is important to read, understand and follow all instructions provided with this product. Non-fire alarm initiating devices are listed in UL category UEHX. It is the installer's responsibility to comply with NEC and Canadian electrical code, mounting specifications according to ADA and other applicable fire and electrical codes. To avoid electrical shock, DO NOT attempt to install this product when power is on. To avoid possible confusion with fire alarm initiating devices, do not mount a red stopper station near a manual fire alarm initiating device. ADA mounting compliance requires the operable part of the initiating device shall not be less than 1.1m (3 1/2 ft.) or greater than 1.37m (4 1/2 ft.) above finished floor service. After installation and testing are complete, provide a copy of this manual to all personnel responsible for testing and maintenance of this product. Push buttons for outdoor use must be mounted with STI outdoor rated covers.

Remarques sur l'installation: Ce bouton-poussoir a été testé selon UL2017. Il est important de lire, de comprendre et de suivre toutes les instructions fournies avec ce produit. Les dispositifs de déclenchement d'alertes non incendie sont répertoriés sous la catégorie UL UEHX. Il incombe à l'installateur de se conformer aux normes NEC et Code canadien de l'électricité, aux spécifications de montage selon l'ADA et aux autres codes de prévention des incendies et de l'électricité en vigueur. Pour éviter un choc électrique, NE tentez PAS d'installer ce produit lorsqu'il est sous tension. Pour éviter toute confusion possible avec les dispositifs de déclenchement d'alertes d'incendie, n'installez pas un avertisseur Stopper rouge à proximité d'un dispositif de déclenchement d'alarme d'incendie manuel. La conformité aux règles d'installation de l'ADA exige que la partie utilisable du dispositif de déclenchement soit installée à une hauteur située entre 1,1 m (3 1/2 pi) et 1,37 m (4 1/2 pi) au-dessus du plancher fini. Une fois l'installation et les essais terminés, vous devez fournir une copie de ce manuel à l'ensemble du personnel chargé de l'essai et de l'entretien de ce produit. Les boutons poussoirs pour utilisation à l'extérieur doivent être installés avec couvercles pour l'extérieur de STI.



USA



**Safety Technology
International**



EMEA

2306 Airport Rd • Waterford, MI 48327, USA

Phone: 248-673-9898 • info@sti-usa.com • www.sti-usa.com

Taylor House • 34 Sherwood Road • Bromsgrove, Worcestershire • B60 3DR • England

Tel: +44 (0)1527 520 999 • info@sti-emea.com • www.sti-emea.com

Unit 7A • Lockhead Avenue • Airport Business Park • Waterford • X91 HWF2 • Ireland
info@sti-emea.com • www.sti-emea.com