

RCI 910TC









Touchless Actuator



The RCI 910TC touchless actuator is designed for touchless door activation in any facility. It functions by triggering activation of automatic door openers by hand gesture or use of a remote fob. It can make the difference when it comes to a clean, hygienic facility. The 910TC is ideal for use in healthcare facilities, restaurants, schools, offices and restrooms by minimizing touchpoints.

Features

- Unique low-profile touchless actuator plate utilizing capacitive technology for the activation of automatic doors
- Aesthetically pleasing design
- Hands-free – helps reduce the spread of germs and bacteria
- Adjustable detection zone to reduce unwanted activations
- When device is activated, the indicator light will change color
- Option to disable audible indicator
- Secondary Normally Open (NO) mechanical switch in the event of a power loss
- Selectable unlock times (1-63 seconds)
- Available in narrow (mullion) or standard size
- Standard mounts to single-gang electrical box
- Available remote control to trigger switch remotely
- Available in kit options
- Also available with french language plates
- Option to toggle momentary to maintained
- FCC & ISED Certified
- Meets ADA compliance (check local building codes for compliance)

 Energy Standard 12-24VDC 50mA@12VDC	Activated 115mA@12VDC	 Range 1" to 2" (30mm - 50mm)	 Warranty 3 Year Limited Warranty	 Audible indicator disable option
 Switch Mode Momentary	 Switch Configuration SPDT	 FCC & ISED Certified	 Toggle momentary maintained option	

Accessories

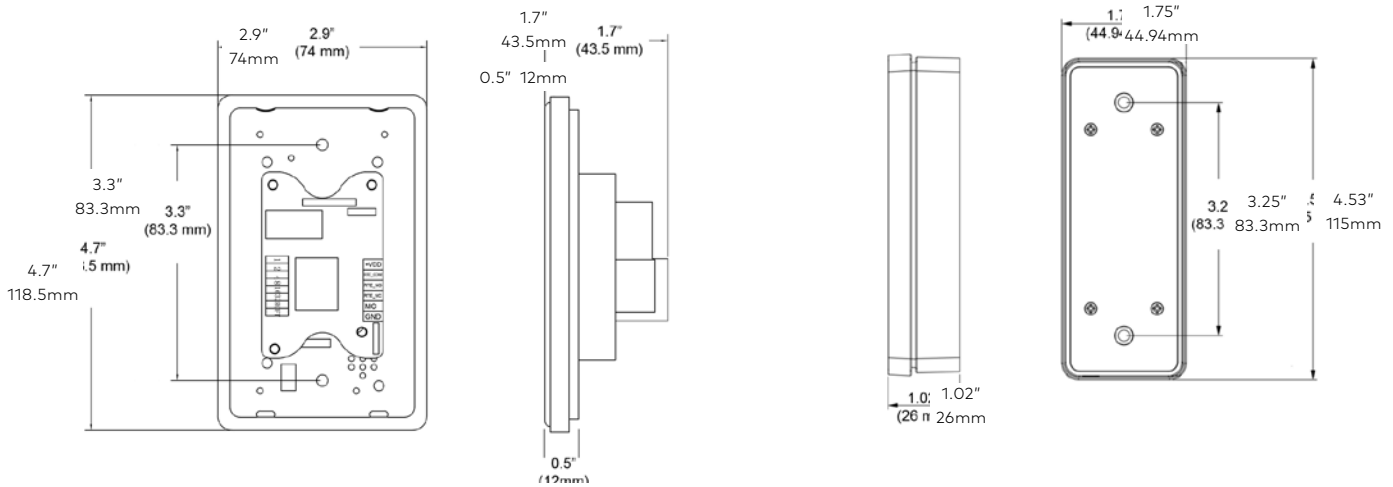
910TC-WRM
433MHz Remote
Receiver Module



910TC-WRB
433MHz Remote
Transmitter



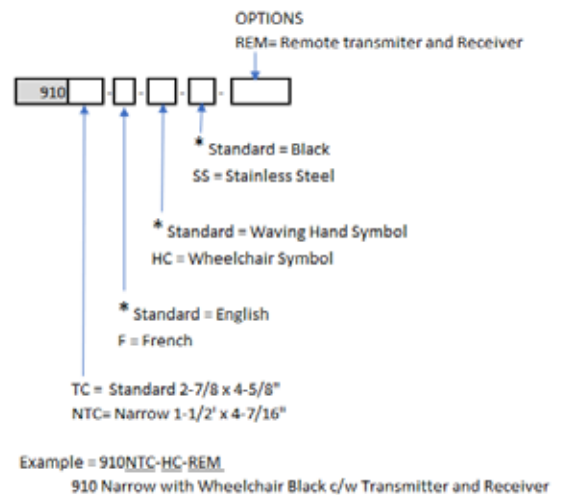
Dimensions - Standard & Narrow (mullion)



Specifications

Technology Type	Capacitive sensing Capacitive sensing with infrared technology
Detection Mode	Proximity
Detection Zone	Maximum detection zone of up to 2" (50mm)
Current	50mA (typical)/ 115mA (activated) 115mA (narrow)
Voltage	12-24VDC
Temperature Range	-4° F to 140° F (-20°C to +60°C)
Relay	Form C SPDT 24VDC @ 100mA
Certification & Listings	Standard & narrow both FCC & ISED certified ADA compliant

How to order



© dormakaba 2023 Information on this sheet is intended for general use only. dormakaba reserves the right to alter designs and specifications without notice or obligation.

dormakaba USA Inc.
6161 E. 75th St.
Indianapolis, IN 46250
800.523.8483

dormakaba Canada Inc.
7301 Decarie Blvd.,
Montreal QC H4P 2G7
888 539-7226