

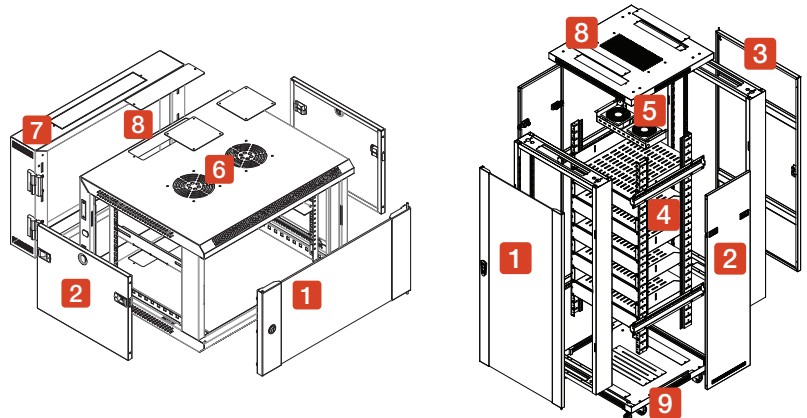
## ENCLOSED RACKS & ACCESSORIES



Keep AV and IT equipment organized with additional accessories to improve your setup. Our accessories are designed to fit standard 19" racks, including our AVARRO floor-standing and wall racks.

### RACK FEATURES

- 1** Reversible, Locking Glass Door
- 2** Removable Side Panels
- 3** Back Access Panel
- 4** Preinstalled Shelves and Blanks
- 5** Two DC UL Listed Fans
- 6** Vented Top and Bottom (fans not included)
- 7** Hinged Back Panel
- 8** Cable Routing Knockouts
- 9** Casters and Leveling Feet



Part #	Description	W x D x H (w/o casters)	Max. Load	Fans	Shelves & Blanks
<b>RK-ERW6U</b>	6U Wall Rack	23.6" x 23.6" x 14.7"	132 lbs.	--	--
<b>RK-ERW12U</b>	12U Wall Rack	23.6" x 23.6" x 25.2"	132 lbs.	--	--
<b>RK-ER18U</b>	18U Floor Rack	23.6" x 23.6" x 35.5"	600 lbs.	2	3
<b>RK-ER27U</b>	27U Floor Rack	23.6" x 23.6" x 51.3"	900 lbs.	2	5
<b>RK-ER42U</b>	42U Floor Rack	23.6" x 23.6" x 77.5"	1,322 lbs.	2	9

### ACCESSORIES

**RK-1USHELF**  
1U Rack Shelf



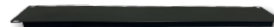
**RK-2UVSHLF**  
2U Vented Rack Shelf

**RK-2USHELF**  
2U Rack Shelf

**RK-FBP1U**  
1U Flanged Blank Panel



**RK-FBP2U**  
2U Flanged Blank Panel



**RK-BLPANEL**  
1U Blank Rack Panel



**RK-BGP1U**  
1U Brush Panel  
Grommet Strip



**RK-LSBAR10**  
Horizontal Lacing Bars

