



CONFIGURED WALL MOUNTED ENCLOSED RACK SERIES

6U-12U

FULLY ASSEMBLED RACK SYSTEMS TO MANAGE COMPONENTS FOR NETWORKING, AUTOMATION, HI-FI AND HOME THEATER APPLICATIONS. DESIGNED WITH HEAVY-GAUGE STEEL AND MULTIPLE FEATURES SUCH AS REMOVEABLE SIDE PANELS AND REVERSIBLE LOCKING HINGED DOORS

SPECIFICATIONS:

- Fully welded steel construction
- Weight capacity up to a 132lb.
- Removable locking side panels (locks not included)
- Lockable tempered-glass door (option to reverse door)
- Vented top and bottom
- Heavy-duty hinges support rack and equipment
- Swing-out rack opens to the left
- Rear cable-routing knockouts

For more information please call 1-833-574-9124
or email AVARRO@adiglobal.com

To learn more about AVARRO products visit
avarro.adiglobaldistribution.us





RK-ERW6U (6 Unit Space)

- Max Weight Capacity: 132lbs
- Dimensions of rack: 23.63" x 23.63" x 14.65"
- Box Dimensions: 26.38" x 26.38" x 22.05"
- UPC: 840049305663

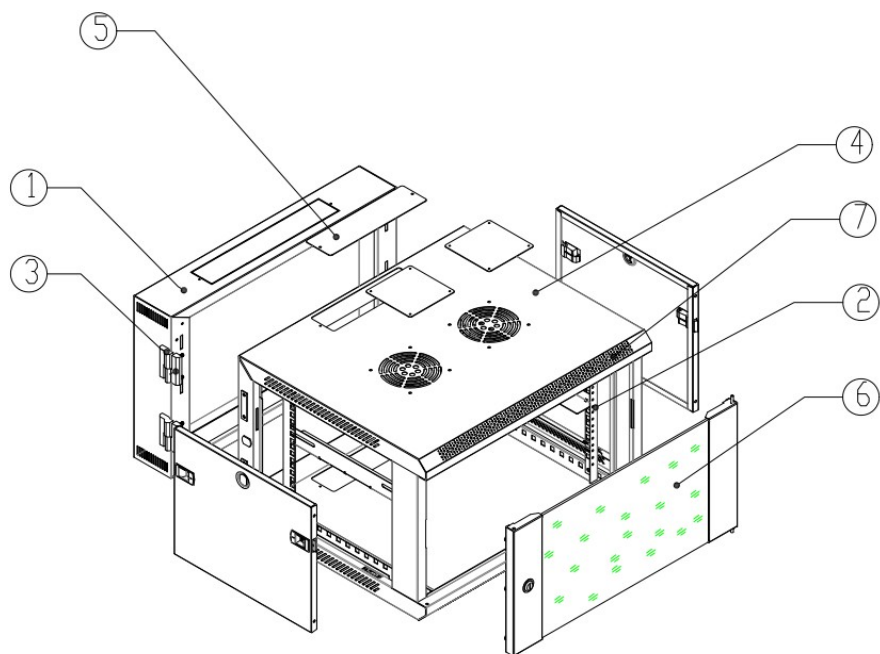
RK-ERW12U (12 Unit Space)

- Max Weight Capacity: 132lbs
- Dimensions of rack: 23.63" x 23.63" x 25.16"
- Box Dimensions: 26.38" x 26.38" x 32.68"
- UPC: 840049305670

For more information please call 1-833-574-9124
or email AVARRO@adiglobal.com

To learn more about AVARRO products visit
avarro.adiglobaldistribution.us

Expanded View and Parts

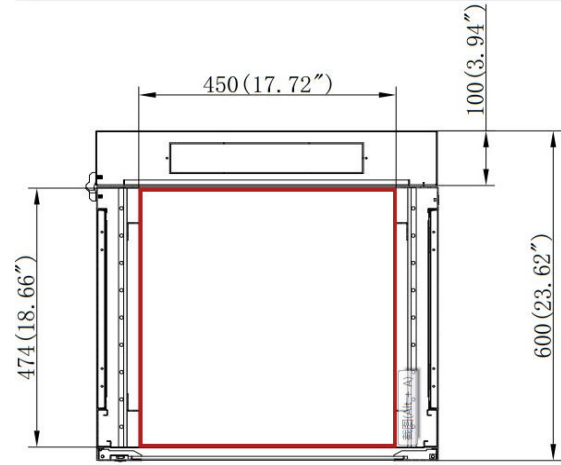
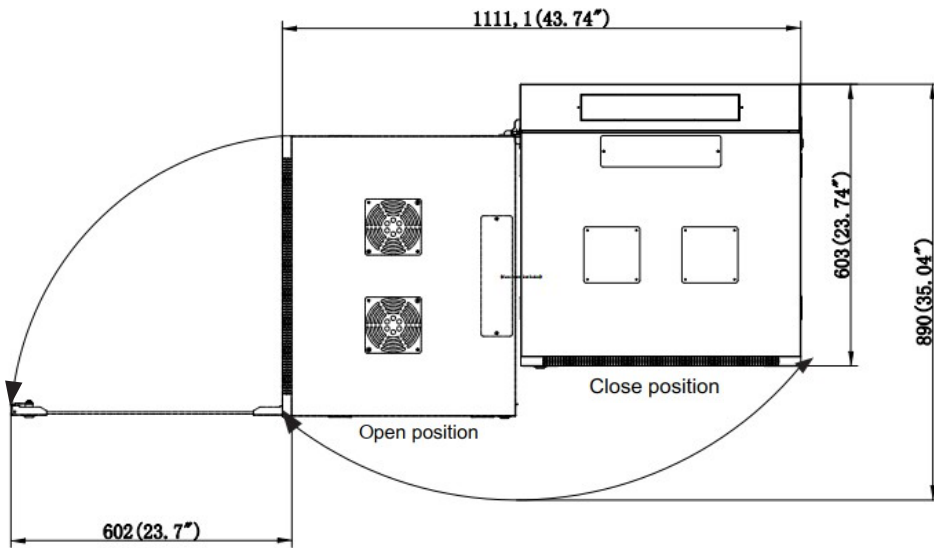


- 1 Frame (side that mounts to wall)
- 2 Mounting Rail
- 3 Hinges
- 4 Swing-out rack opens to the left
- 5 Cable Management Cover
- 6 Front Glass Door (option to reverse door)
- 7 Vented Top and Bottom (fans not included)

For more information please call 1-833-574-9124
or email AVARRO@adiglobal.com

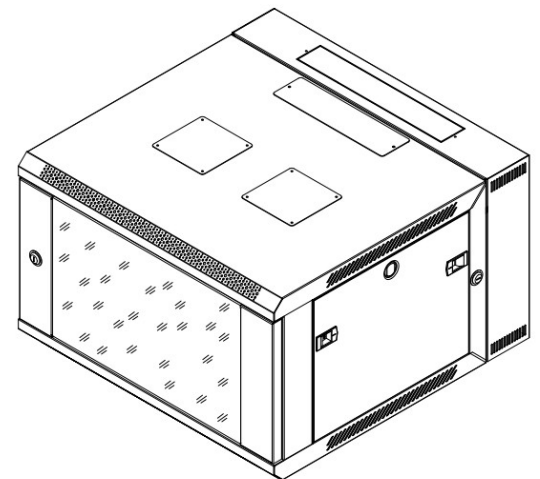
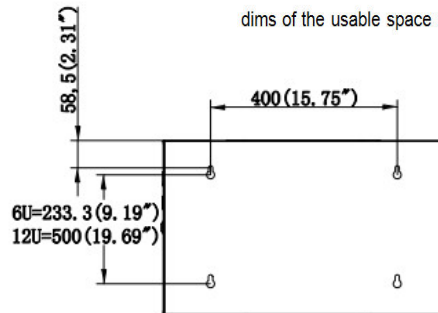
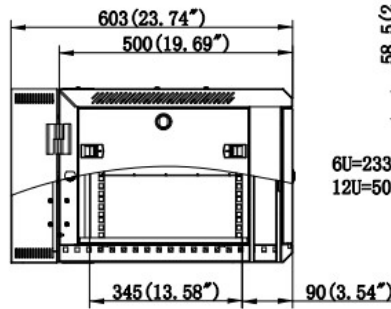
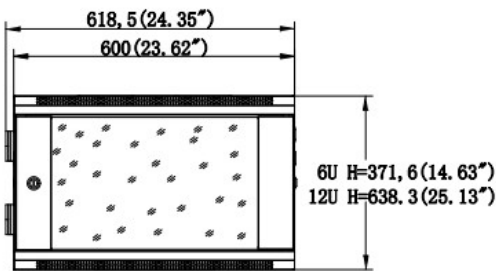
To learn more about AVARRO products visit
avarro.adiglobaldistribution.us

Dimensions



Usable Space Inside Rack in Red

dims of the usable space :450(17.72")width,474(18.66")depth



For more information please call 1-833-574-9124
or email AVARRO@adiglobal.com

To learn more about AVARRO products visit
avarro.adiglobaldistribution.us