

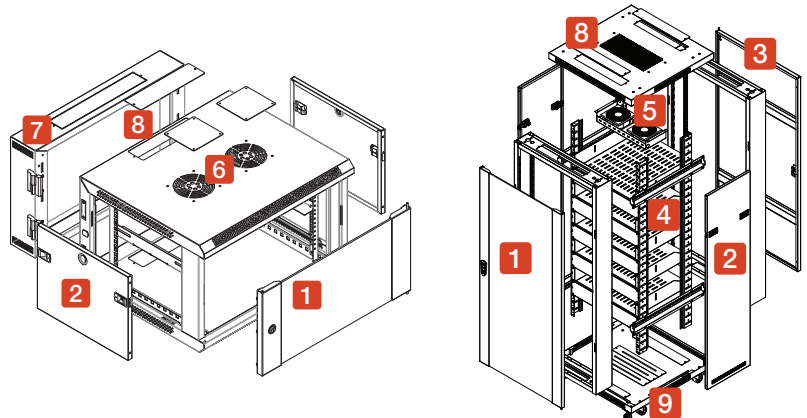
ENCLOSED RACKS & ACCESSORIES



Keep AV and IT equipment organized with additional accessories to improve your setup. Our accessories are designed to fit standard 19" racks, including our AVARRO floor-standing and wall racks.

RACK FEATURES

- 1** Reversible, Locking Glass Door
- 2** Removable Side Panels
- 3** Back Access Panel
- 4** Preinstalled Shelves and Blanks
- 5** Two DC UL Listed Fans
- 6** Vented Top and Bottom (fans not included)
- 7** Hinged Back Panel
- 8** Cable Routing Knockouts
- 9** Casters and Leveling Feet



Part #	Description	W x D x H (w/o casters)	Max. Load	Fans	Shelves & Blanks
RK-ERW6U	6U Wall Rack	23.6" x 23.6" x 14.7"	132 lbs.	--	--
RK-ERW12U	12U Wall Rack	23.6" x 23.6" x 25.2"	132 lbs.	--	--
RK-ER18U	18U Floor Rack	23.6" x 23.6" x 35.5"	600 lbs.	2	3
RK-ER27U	27U Floor Rack	23.6" x 23.6" x 51.3"	900 lbs.	2	5
RK-ER42U	42U Floor Rack	23.6" x 23.6" x 77.5"	1,322 lbs.	2	9

ACCESSORIES

RK-1USHELF
1U Rack Shelf



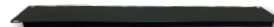
RK-2UVSHLF
2U Vented Rack Shelf

RK-2USHELF
2U Rack Shelf

RK-FBP1U
1U Flanged Blank Panel



RK-FBP2U
2U Flanged Blank Panel



RK-BLPANEL
1U Blank Rack Panel



RK-BGP1U
1U Brush Panel
Grommet Strip



RK-LSBAR10
Horizontal Lacing Bars

