

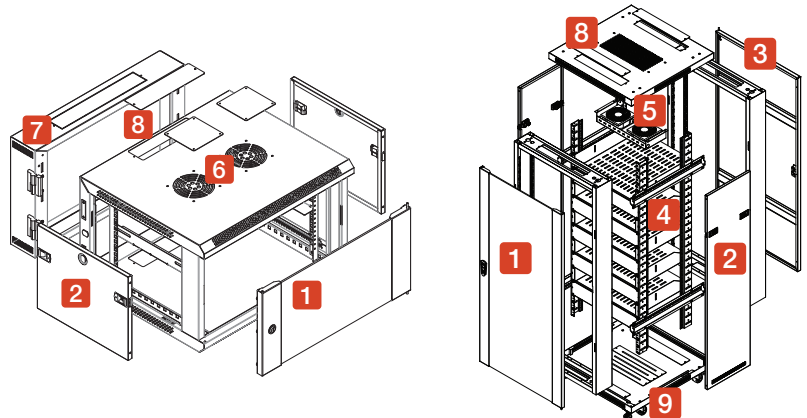
ENCLOSED RACKS & ACCESSORIES



Keep AV and IT equipment organized with additional accessories to improve your setup. Our accessories are designed to fit standard 19" racks, including our AVARRO floor-standing and wall racks.

RACK FEATURES

- 1** Reversible, Locking Glass Door
- 2** Removable Side Panels
- 3** Back Access Panel
- 4** Preinstalled Shelves and Blanks
- 5** Two DC UL Listed Fans
- 6** Vented Top and Bottom (fans not included)
- 7** Hinged Back Panel
- 8** Cable Routing Knockouts
- 9** Casters and Leveling Feet



| Part # | Description | W x D x H (w/o casters) | Max. Load | Fans | Shelves & Blanks |
|------------------|----------------|-------------------------|------------|------|------------------|
| RK-ERW6U | 6U Wall Rack | 23.6" x 23.6" x 14.7" | 132 lbs. | -- | -- |
| RK-ERW12U | 12U Wall Rack | 23.6" x 23.6" x 25.2" | 132 lbs. | -- | -- |
| RK-ER18U | 18U Floor Rack | 23.6" x 23.6" x 35.5" | 600 lbs. | 2 | 3 |
| RK-ER27U | 27U Floor Rack | 23.6" x 23.6" x 51.3" | 900 lbs. | 2 | 5 |
| RK-ER42U | 42U Floor Rack | 23.6" x 23.6" x 77.5" | 1,322 lbs. | 2 | 9 |

ACCESSORIES

RK-1USHELF
1U Rack Shelf



RK-2UVSHLF
2U Vented Rack Shelf

RK-2USHELF
2U Rack Shelf

RK-FBP1U
1U Flanged Blank Panel



RK-FBP2U
2U Flanged Blank Panel



RK-BLPANEL
1U Blank Rack Panel



RK-BGP1U
1U Brush Panel
Grommet Strip



RK-LSBAR10
Horizontal Lacing Bars

