



2U RACK SHELF

RK-2USHELF



THESE 2U UNIVERSAL SHELVES ARE SOLID, DURABLE AND A GREAT WAY TO KEEP YOUR RACK AND EQUIPMENT ORGANIZED

SPECIFICATIONS:

- Heavy-duty powder coated steel
- Provides additional storage for critical hardware accessories
- Up to 55 lb weight capacity
- 4pcs of 10-32 screws are included
- Designed for 19" racks
- 5-year warranty

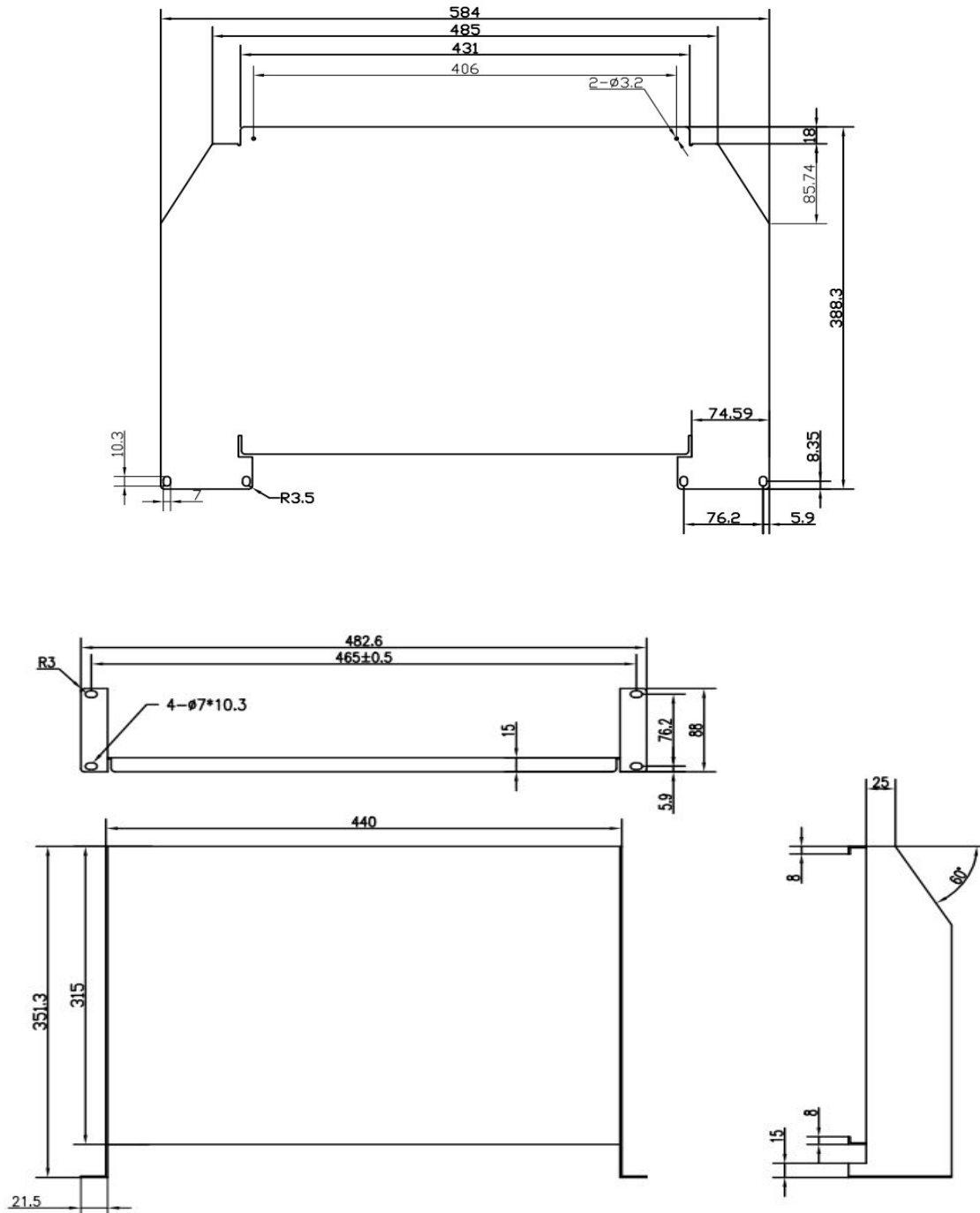
BOX DIMENSIONS:

PART#: RK-2USHELF
UPC: 8400493039296
LENGTH: 20.08"
WIDTH: 15.75"
HEIGHT: 3.94"
WEIGHT: 6.64 LBS

For more information please call 1-833-574-9124
or email AVARRO@adiglobal.com

To learn more about AVARRO products visit
avarro.adiglobaldistribution.us





For more information please call 1-833-574-9124
or email AVARRO@adiglobal.com

To learn more about AVARRO products visit
avarro.adiglobaldistribution.us