

SA752PU SA752P

SMARTMOUNT. Articulating Wall Arm For 37" to 55" Displays

From any angle, this wall arm mount reflects remarkable form and function. Extending the display up to 27.43" (697mm) from the wall and allowing for a full 180° of side-to-side motion for perfect view positioning of displays up to 55". Fine-tuning of the installation is simple with its side-to-side display leveling and 1" (25.4mm) of vertical adjustment features that help achieve perfection. This articulating arm also provides display centering on the wall plate and integrates a desirable cable management system, centering the display on the wall when retracted and organizing and protecting the cables. Designed and built in the USA, this mount maintains the same brilliant look as the entire SmartMount® 700 Series line of Articulating and Pivot Wall Arm Mounts.



Display size: 37"-55"



Max load: 90lb (41kg)

FEATURES

- Universal model SA752PU provides compatibility for 37" to 55" displays with mounting patterns up to 689 x 439mm (27.12" x 17.29")
- Dedicated model SA752P requires display adaptor to be purchased separately
- Display can be held as close to the wall as 4.43" (112mm) or be extended as far as 27.43" (697mm)
- Integrated cable management contains, protects and conceals cables for a clean clutter-free look
- One-Touch™ tilt allows for +15°/-5° without the use of tools for easy viewing angle adjustment
- Multi-link construction allows for a full 180° range of motion
- Display can be pivoted a full 90°
- ±5° of roll allows for post installation leveling
- Display can be rotated from landscape to portrait without removing the display for easy orientation changes
- 1" (25.4mm) vertical adjustment for display position fine tuning

CLEAN APPLICATION

Built in cable management system keeps cables organized and protected

VIEWING FLEXIBILITY

Arm extends up to 27.43" (697mm) from wall



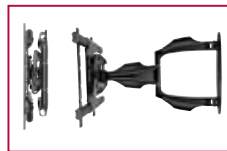
SA752PU Shown

REMARKABLE FORM

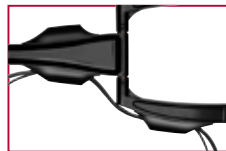
New design, cable covers and fastener covers complete a professional installation

POST INSTALLATION LEVELING

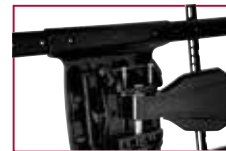
±5° of roll for post-installation leveling



Arm retracts to just 4.43" (112mm) and extends up to 27.43" (697mm) from wall



1" (25.4mm) clearance per channel for clean and simple cable management



1" (25.4mm) of vertical adjustment for post-installation fine tuning



SA752P dedicated model requires additional adaptor plate for mounting display



Patented. Design Patent No. D635,966; D623,177; D627,767; D623,635; D623,634. Utility Patent No. 8,028,964.

CLICK: peerless-av.com

CALL: 800.865.2112

FAX: 800.359.6500

peerless-AV

SA752PU	SmartMount® Universal Articulating Wall Arm for 37" to 55" Displays
SA752P	SmartMount® Dedicated Articulating Wall Arm for 37" to 55" Displays

Product Specifications

	DIMENSIONS (W x H x D)	PRODUCT WEIGHT	LOAD CAPACITY	FINISH	AVAILABLE COLORS
SA752PU	28.68" x 18.00" x 4.43"-27.43" (728 x 457 x 112-697mm)	33lb (15kg)	90lb (41kg)	Scratch resistant fused epoxy	Gloss black
SA752P	15.20" x 17.00" x 2.73"-25.73" (386 x 431 x 69-654mm)	18lb (8kg)			

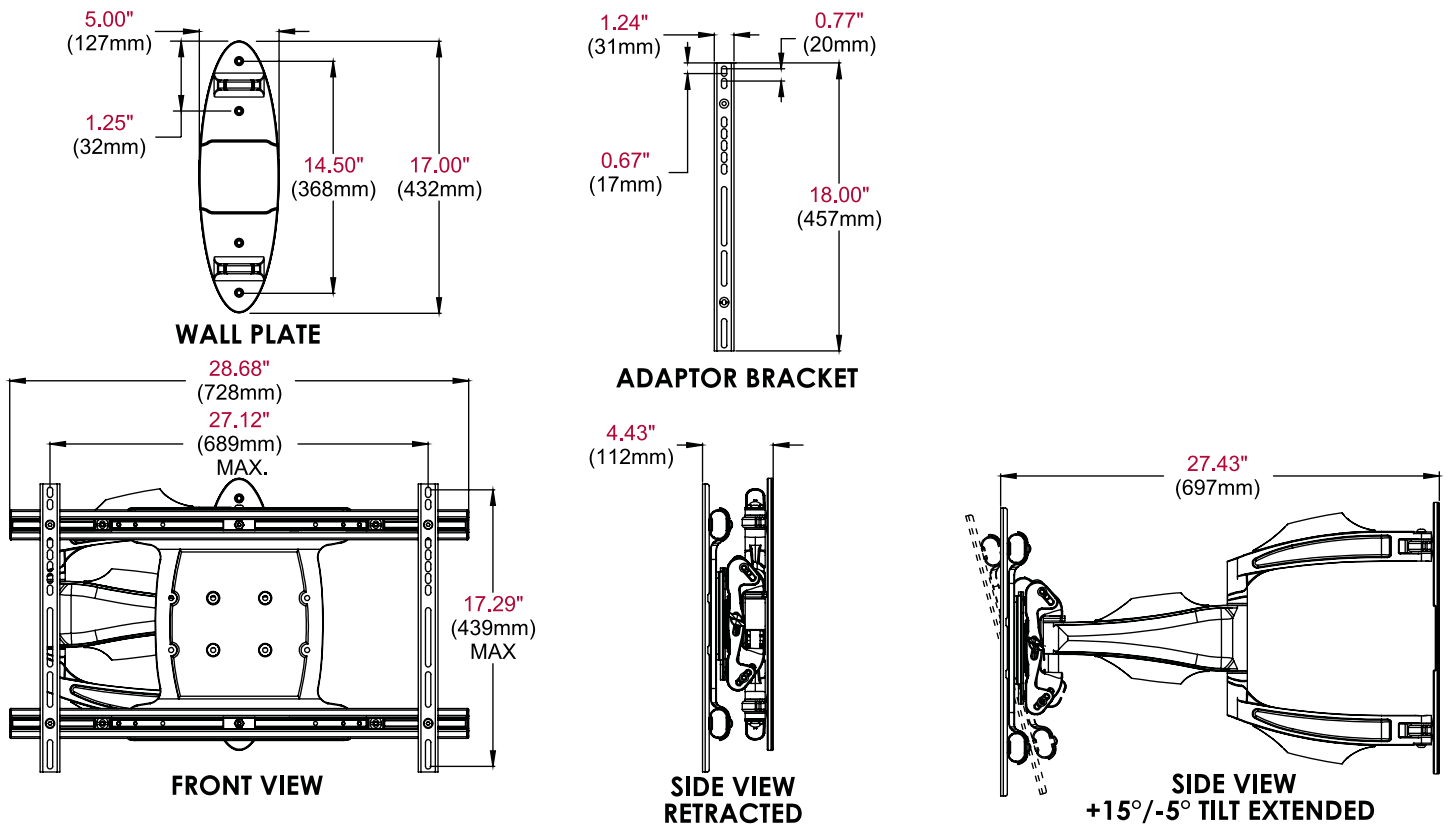
Package Specifications

	PACKAGE SIZE (W x H x D)	PACKAGE SHIP WEIGHT	PACKAGE UPC CODE	PACKAGE CONTENTS	UNITS IN PACKAGE
SA752PU	35.75" x 21.25" x 5.625" (908 x 540 x 143mm)	38lb (17.3kg)	SA752PU: 735029266563	Mount, wall and display attachment hardware, installation instructions	1
SA752P		22lb (10kg)	SA752P: 735029270232		

Accessories

- ACC925:** Security Fastener Pack
- WSP756:** Metal Stud Wall Plate Accessory

All dimensions = inch (mm)



ARCHITECTS SPECIFICATIONS

The SmartMount® Articulating Wall Arm shall be a Peerless-AV model SA752P(U) and shall be located where indicated on the plans. It shall feature scratch resistant black or silver fused epoxy finish. Assembly and installation shall be done according to instructions provided by the manufacturer.