



► Model 300GCX

# SelecTone® Hazardous Location 15W Amplified Speaker

Model 300GCX SelecTone® Amplified Speaker is designed to produce tones, digital voice messages and live public address in harsh environments with high ambient noise levels.

The rugged speaker cone and projector are constructed of spun aluminum. The amplification circuitry, tone module, and gain control are contained in a housing constructed of die-cast aluminum. All surfaces are sealed with powder-coat paint. Dust- and moisture-proof gaskets provide protection from the elements.

SelecTone Amplified Speakers are used individually or as part of a plant-wide emergency notification system. Model UTM Universal Tone Module with 32 tones, or model TM33-SD Custom Tone Module is plugged into a single SelecTone Amplified Speaker for stand-alone use or into a SelecTone Command Unit for plant-wide signaling.

For plant-wide signaling, a Connector Kit is installed into each SelecTone Amplified Speaker and wired to a central controller, SelecTone Command Unit or CommCenter® Digital Message Center. Command Units and CommCenters broadcast tones, voice messages, melodies and live public address to an unlimited number of SelecTone Amplified Speakers.

Applications for SelecTone include emergency warning, evacuation, start/dismissal, public address, and process control signaling.

## FEATURES

- Available in 24VAC/DC, 120VAC and 240VAC
- Reliable, solid-state circuitry
- Digital signal amplification
- Fused input and output
- Built-in gain control, adjustable between 0 dBa to 110 dBa @ 10' (0 dBa to 120 dBa @ 1m)
- Cast copper free aluminum housing, spun aluminum projector
- Type 4X, IP66 enclosure
- IP69K compliant
- Indoor/outdoor use
- CSFM Approved
- UL and cUL Listed for Class I, Division 2, Groups A, B, C, and D; Class II, Division 2, Groups F and G; Class III

| MODEL               | VOLTAGE        | OPERATING CURRENT | STANDBY CURRENT ** | DECIBELS |     |
|---------------------|----------------|-------------------|--------------------|----------|-----|
|                     |                |                   |                    | 10'      | 1M  |
| <b>300GCX-024-*</b> | 24VDC          | 0.67 amps         | 50 mA              | 110      | 120 |
|                     | 24VAC 50/60Hz  | 0.90 amps         | 100 mA             | 110      | 120 |
| <b>300GCX-120-*</b> | 120VAC 50/60Hz | 0.20 amps         | 30 mA              | 110      | 120 |
| <b>300GCX-240-*</b> | 240VAC 50/60Hz | 0.10 amps         | 15 mA              | 110      | 120 |

\* Indicates housing color: (-B) for Black housing, leave blank for Gray

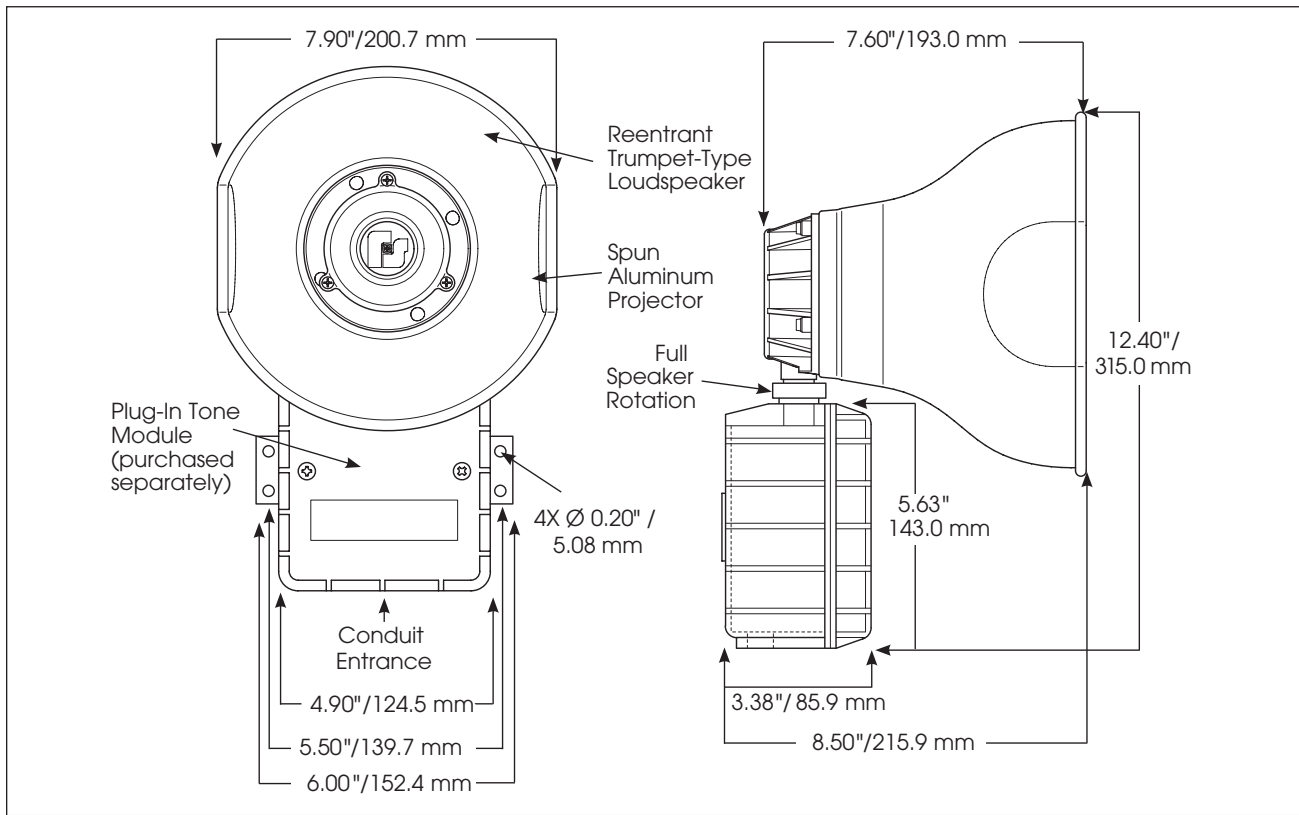
\*\*When used as a powered loud speaker

### HAZARDOUS LOCATION RATING: 300GCX

T-CODE AT MAXIMUM AMBIENT TEMPERATURE, °C

| Hazardous Location                     | 40°C | 66°C |
|--|------|------|
| Class I, Division 2, Groups A, B, C, D | T3   | T2C  |
| Class II, Division 2, Groups F, G      | T6   | T6   |
| Class III                              | T6   | T6   |

## SelecTone® Hazardous Location 15W Amplified Speaker (300GCX)



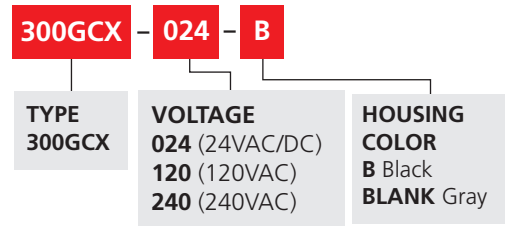
### SPECIFICATIONS

|                        |                |               |
|------------------------|----------------|---------------|
| Operating Temperature: | -67°F to 150°F | -55°C to 66°C |
| Rated Power            |                | 15 watt       |
| Net Weight:            |                |               |
| 24VAC/DC               | 5.5 lbs        | 2.5 kg        |
| 120/240VAC             | 5.5 lbs        | 2.5 kg        |
| Shipping Weight:       |                |               |
| 24VAC/DC               | 6.7 lbs        | 3.0 kg        |
| 120/240VAC             | 6.7 lbs        | 3.0 kg        |
| Height:                | 12.40"         | 315.0 mm      |
| Width:                 | 7.90"          | 200.7 mm      |
| Depth:                 | 8.50"          | 215.9 mm      |

### REPLACEMENT PARTS

| Description                            | Part Number  |
|--|--------------|
| PCBA, Amp Motherboard, 15W, 24VAC/DC   | K2001961B-05 |
| PCBA, Amp Motherboard, 15W, 120/240VAC | K2001961B-04 |
| Amplifier PCBA, 15W                    | K2005502A-04 |
| XFMR, 15W, 120VAC, 1.3 AMP             | K120857A     |
| XFMR, 15W, 240VAC, 1.3 AMP             | K120858A     |
| Speaker Assembly, 15W                  | K8593082A    |
| Voice Coil, 15W                        | K8593035A    |
| Gasket                                 | K288A043     |

### HOW TO ORDER



- Select Model**
- Select Required Accessory (sold separately)**
  - For stand alone operation, select Tone Module:
    - UTM** – Universal Tone Module (Reference page 215 for list of tones)
    - TM33-SD** – Custom Tone Module (Reference page 217 for list of tones)
  - For use in systems\*, select Connector Kit. (Reference page 218 for Connector Kits)
    - AM25CK** – 25 Vrms, 1 Vrms
    - AM70CK** – 70 Vrms, 1 Vrms
    - 300CK** – 10 Vrms, 1 Vrms
    - T-300CK** – 2.7 Vrms, 1 Vrms
    - E-300CK** – 1 Vrms, 1 Vrms

\*Call factory for design assistance