



► Models 225XST and 225XST-I

# Electraray® Hazardous Location Strobe Lights



Model 225XST is a hazardous location light with a black e-coated coated base and the inner fresnel lens is available in six colors. The clear polycarbonate outer dome can be quickly removed for easy access to inspect the unit or change the lamp.

The 24VDC 225XST-I features a voltage in-rush limiting PCB design that provides greater compatibility with factory automation control systems and less electrical interference with in-rush sensitive devices.

Model 225XST is ideal for wet, corrosive atmospheres like those found in food processing industries, or anywhere a visual signal is needed.

## FEATURES

- 12-24VDC, 24VDC, 120VAC and 230-240VAC
- Six lens colors: Amber, Blue, Clear, Green, Magenta and Red
- 10,000 hour, high-intensity strobe tube
- 1/2-inch NPT pipe mount
- Indoor/outdoor use
- Type 4X, IP66 enclosure (Dome up orientation)
- IP69K compliant
- CSA Certified
- UL and cUL Listed for Class I, Division 2, Groups A, B, C and D; Class II, Division 2, Groups F and G; Class III

MODEL	VOLTAGE	OPERATING CURRENT	FLASH RATE/ MINUTE	LIGHT OUTPUT PEAK <sup>1</sup>	ECP <sup>2</sup>	MOUNT
<b>225XST-012-024 *</b>	12-24VDC	1.70-0.70 amps	80	580,000 cd	240 cd	1/2" NPT Pipe
<b>225XST-I-024 *</b>	24VDC	0.70 amps (2.0 amp In-rush)	80	580,000 cd	240 cd	1/2" NPT Pipe
<b>225XST-120 *</b>	120VAC	0.25 amps	80	580,000 cd	240 cd	1/2" NPT Pipe
<b>225XST-240 *</b>	230-240VAC	0.20 amps	80	580,000 cd	240 cd	1/2" NPT Pipe

\* Indicates color: (A) Amber, (B) Blue, (C) Clear, (G) Green, (M) Magenta or (R) Red

<sup>1</sup> Peak candela is the maximum light intensity generated by a flashing light during its light pulse

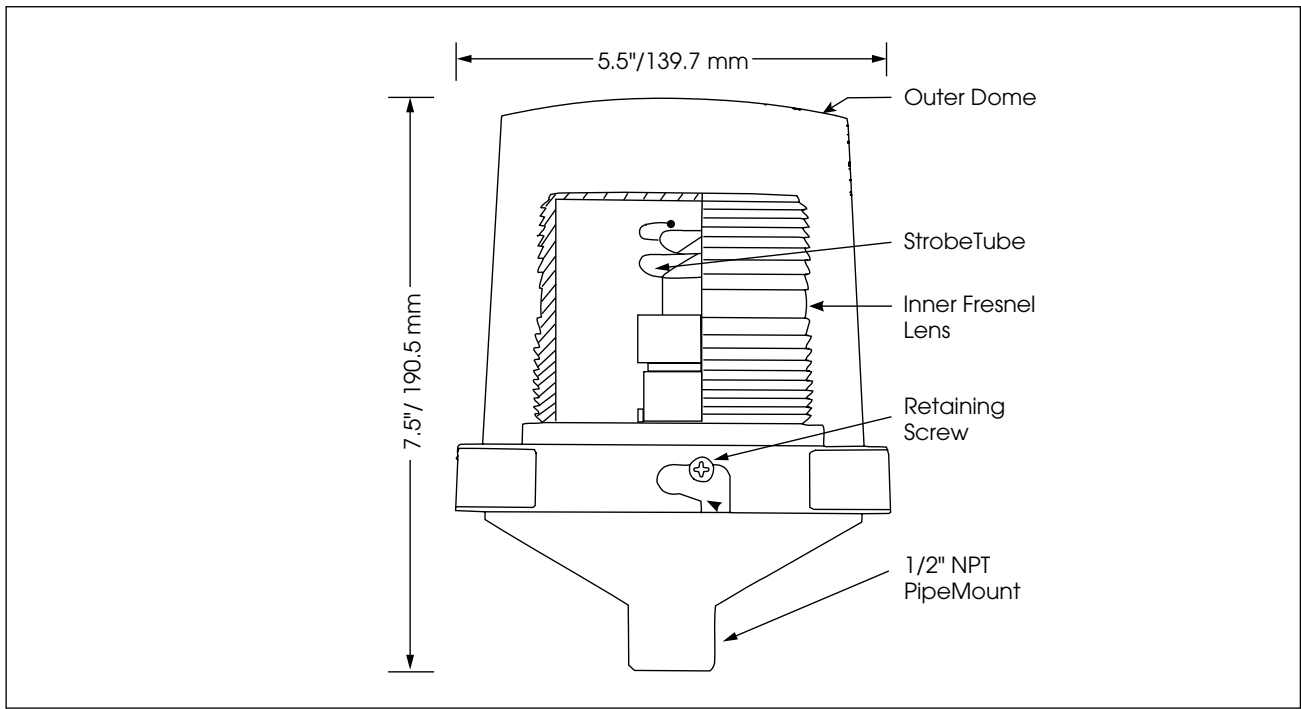
<sup>2</sup> ECP (Effective Candela) is the intensity that would appear to an observer if the light were burning steadily

### HAZARDOUS LOCATION RATING: 225XST and 225XST-I

T-CODE AT MAXIMUM AMBIENT TEMPERATURE, 40°C

Hazardous Location	UL	CSA
Class I, Division 2, Groups A, B, C, D	T2A	T3A
Class II, Division 2, Groups F, G	T5	T6
Class III	T5	T6

# Electrarray® Hazardous Location Strobe Lights (225XST and 225XST-I)



## SPECIFICATIONS

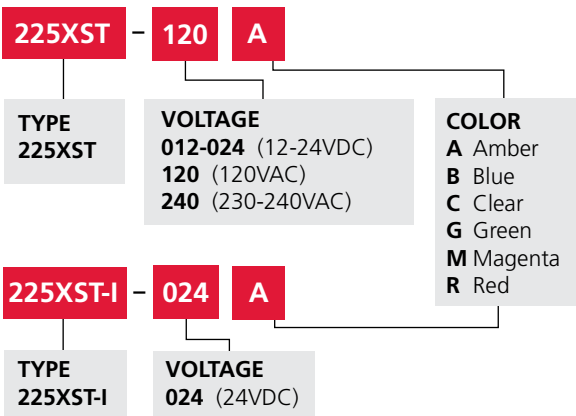
Lamp Life:	10,000 Hours	
Light Source:	Strobe tube	
Operating Temperature:	-40°F to 104°F	-40°C to 40°C
Net Weight:	1.5 lbs	0.68 kg
Shipping Weight:	2.0 lbs	0.91 kg
Height:	7.5"	190.5 mm
Diameter:	5.5"	139.7 mm

## REPLACEMENT PARTS

Description	Part Number
Interior Lens, Amber	K8550C095A-02
Interior Lens, Blue	K8550C095A-01
Interior Lens, Clear	K8550C095A
Interior Lens, Green	K8550C095A-04
Interior Lens, Magenta	K8550C095A-07
Interior Lens, Red	K8550C095A-03
Exterior Dome, Clear*	K8444D219C-04
PCB Assembly, 12-24VDC or 24VDC	K2001202C-01
PCB Assembly, 120VAC	K2001905A
PCB Assembly, 240VAC	K2001905A-01
Strobe Tube	K8107177A

\*Includes 1 dome gasket

## HOW TO ORDER



## OPTIONAL ACCESSORIES

Description	Part Number
Hazardous Location Mounting Bracket	LHWB