



FEDERAL SIGNAL

Safety and Security Systems / **Industrial**

Model 191XL Series Beacon for Use in Hazardous Conditions



Installation and Maintenance Manual

2561421

REV. H0 0718

Printed in U.S.A.

© 2013-2018 Federal Signal Corporation

français.....page 21

español.....página 41

Limited Warranty

This product is subject to and covered by a limited warranty, a copy of which can be found at www.fedsig.com/SSG-Warranty. A copy of this limited warranty can also be obtained by written request to Federal Signal Corporation, 2645 Federal Signal Drive, University Park, IL 60484, email to info@fedsig.com or call +1 708-534-3400.

This limited warranty is in lieu of all other warranties, express or implied, contractual or statutory, including, but not limited to the warranty of merchantability, warranty of fitness for a particular purpose and any warranty against failure of its essential purpose.



FEDERAL SIGNAL
Safety and Security Systems

2645 Federal Signal Drive
University Park, Illinois 60484-3167

www.fedsig.com

Customer Support 800-344-4634 • +1 708 534-3400

Technical Support 800-524-3021 • +1 708 534-3400

Contents

Safety Messages to Installers	5
An Overview of the 191XL Series.....	6
Unpacking the Beacon.....	7
Pipe-Mounting the Beacon (191XL Series)	9
Surface-Mounting the Beacon (191XL Series).....	11
Wiring the Beacon.....	12
Wiring 120-240 Vac, 277 Vac Models.....	13
Wiring 24 Vac/dc Models.....	13
Safety Message to Maintenance Personnel	13
Changing from Flash Mode to Steady Mode.....	14
Cleaning the Fixture	17
Lubricating the Threaded Joint.....	18
Ordering Replacement Parts	18
Getting Repair Service and Technical Assistance	19
Returning the Product for Credit	19

Tables

Table 1 Electrical ratings	7
Table 2 Installation environment ratings.....	8
Table 3 Ambient and operating temperature range for the 191XL	8
Table 4 Ambient and operating temperature range for the 191XL-CN.....	8
Table 5 Replacement parts	18

Figures

Figure 1 Pipe-mounted beacon 10

Figure 2 Surface-mounted beacon11

Figure 3 PCB removed from housing 16

Figure 4 Location of jumper J3 on PCB..... 17

Safety Messages to Installers

WARNING

It is important to follow all instructions shipped with this product. This device is to be installed by a trained electrician who is thoroughly familiar with the National Electrical Code and/or Canadian Electrical Code and will follow the NEC and/or CEC Guidelines as well as all local codes. This beacon should be considered a part of the warning system and not the entire warning system.

The selection of the mounting location for the beacon, its controls and the routing of the wiring are to be accomplished under the direction of the facilities engineer and the safety engineer. In addition, listed below are some other important safety instructions and precautions you should follow:

- Read and understand all instructions before installing or operating this beacon.
- Do not connect this beacon to the system when power is on.
- Do not disconnect the beacon while circuit is live or unless the area is known to be free of ignitable concentrations. Keep the beacon tightly closed when in operation.
- After installation, make sure that all set screws and threaded joints are properly tightened.
- Never alter the unit in any manner. Safety in hazardous locations may be endangered if additional openings or other alterations are made in units specifically designed for use in these locations.
- To be an effective warning device, this product produces bright beacon that can be hazardous to your eyesight when viewed at a close range. Do not stare directly into this lighting product at a close range or permanent damage to your eyesight may occur.

Installation and Service Instructions

- After installation, test the beacon to make sure that it is operating properly.
- Keep the unit tightly closed when in operation.
- After testing is complete; provide a copy of this instruction booklet to all personnel.
- Establish a procedure to routinely check the beacon for proper activation and operation.

Failure to follow all safety precautions and instructions may result in property damage, serious injury, or death.

An Overview of the 191XL Series

The 191XL is suitable for use in Class I, Division 2, Groups A, B, C and D; Class II, Division 1, Groups E, F & G; Class III OR non-hazardous locations only.

The 191XL-CN is suitable for use in Class I, Zone 2, and Zone 22 or non-hazardous locations only.

This strobe light can be mounted to a Federal Signal Model LHWB bracket. If installed in this way, the entire assembled device is suitable only for Class I, Div. 2, Groups A, B, C, and D; Class II, Div. 2, Groups F and G; Class III locations.

The Model 191XL Series LED Beacon is a UL listed visual signal for operation in harsh environments and hazardous locations and has been investigated by UL as meeting Type 4X and IP66 enclosure requirements. The unit is rated for operation on 100 Vac to 265 Vac, 50/60 Hz, 0.21 A; 277 Vac, 50/60 Hz, 0.13A; or 24 Vdc/ac 50/60 Hz, 0.40 A. The 191XL Series can be supplied with colors of red, amber, green, blue, and clear. The 191XL Series is factory-set to operate 60 flashes/minute. There is an option to operate the LED Beacon in Steady Mode. (See “Changing from Flash Mode to Steady Mode” on page 14). Models are available for pipe mounting (191XL Series) or surface mounting (191XL-S Series).

These devices are intended for permanent installation and operation in accordance with Title 46, Code of Federal Regulations, Parts 110–113, or Title 33, Code of Federal Regulations, Part 183, Sub-part I, Section 183.410, and the applicable requirements of the American Boat and Yacht Council, Inc., and/or ANSI/NFPA 302, “Fire Protection Standard for Pleasure and Commercial Motor Craft.”

Unpacking the Beacon

⚠ WARNING

EXPLOSION HAZARD: Damaged domes can lead to explosions that could result in serious injury or death.

After unpacking the beacon, examine it for damage that may have occurred in transit. If the beacon has been damaged, do not attempt to install or operate it. File a claim immediately with the carrier, stating the extent of the damage. Carefully check all envelopes, shipping labels, and tags before removing or discarding them. Disposal of all shipping materials must be carried out in accordance with national and local codes and standards. If any parts are missing, please call Federal Signal Customer Support at 800-524-3021 or 708-534-4790.

Table 1 Electrical ratings

Operating Voltage:	24 Vdc/ac	100–265, 277 Vac	277 Vac
Flashes/Minute:	60 FPM	60 FPM	60 FPM
Maximum Operating Current:	380 mA	210 mA	130 mA
Frequency:	DC/50/60	50/60	50/60
DC In-Rush Current:	1.75 A at 24 Vdc for 5 ms		
AC In-Rush Current:	2.0 A at 85 Vac and 1.5 A at 265 and 277 Vac for 0.25 ms		

Installation and Service Instructions

Table 2 Installation environment ratings

Ambient Storage Rating: -55°C to +70°C
Ambient Operating Rating: -50°C to +66°C (191XL), -35°C to +66°C (191XL-CN)
Type 4X (water-tight and corrosion resistant) and indoor/outdoor use
IP66 (dust-tight and protection against heavy seas) and outside type (saltwater)

Table 3 Ambient and operating temperature range for the 191XL

Hazardous Locations	Temperature Code or Maximum Temperature, °C								
	40°C Ambient			55°C Ambient			66°C Ambient		
	24 V	100–265 Vac	277 Vac	24 V	100–265 Vac	277 Vac	24 V	100–265 Vac	277 Vac
Class I, Div 2, Groups A, B, C, and D	T6	T6	T5	T5	T5	T5	T4A	T4A	T5
Class II, Div 1, Groups E, F, and G	T6	T6	T6	T6	T6	T6	T6	T6	T6
Class III	T6	T6	T6	T6	T6	T6	T6	T6	T6

Table 4 Ambient and operating temperature range for the 191XL-CN

Temperature Code at 66°C Ambient	
Hazardous Locations	T-code
Class I, Zone 2	T4
Zone 22	T85°C

Pipe-Mounting the Beacon (191XL Series)

WARNING

EXPLOSION HAZARD: To reduce the risk of fire or explosion, do not install the beacon in a hazardous location if the operating temperature exceeds the hazardous atmosphere's ignition temperature. Before proceeding, consult the product nameplate and determine the operating temperature of the beacon.

NOTE: To comply with NEC Section 300-14, which requires a minimum of 6 inches (15.25 cm) of free conductor at a junction, when mounting the Model 191XL Series, the mounting pipe used to join the unit to a splice box should be no longer than 10 inches (25.4 cm).

The Model 191XL Series has provisions for mounting a 3/4" pipe and can be mounted in any position.

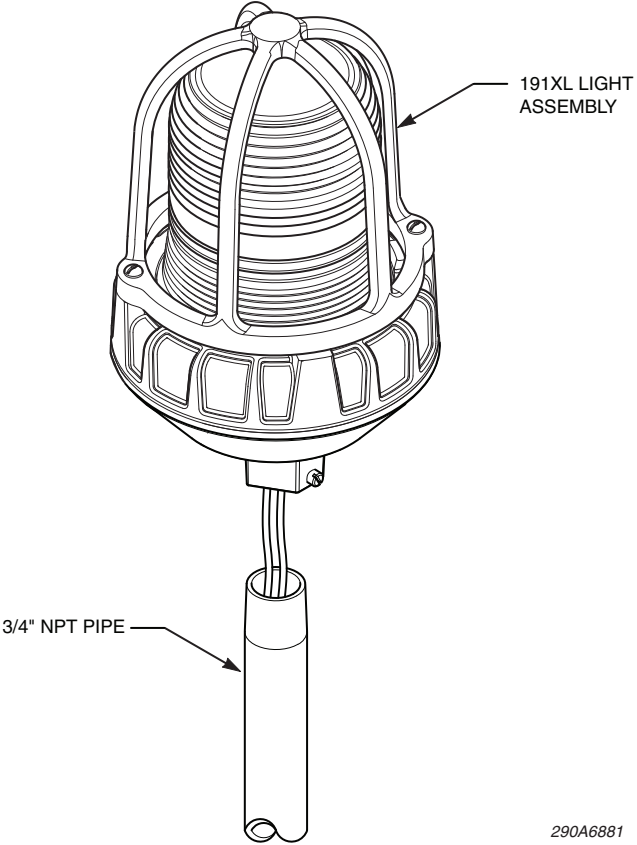
1. Before mounting the beacon, ensure that the mating threads are clean.
2. To prevent the ingress of water and dust, apply conductive sealant to the conduit threads prior to mounting. If non-conductive sealant is used, the enclosure must be earthed via the provided internal grounding wire/grounding screw to ensure proper grounding continuity.
3. In high-humidity environments when units are mounted dome down, condensation may occur in the conduit system. Use properly rated conduit seals/drains to prevent moisture from entering the fixture.

IMPORTANT: To prevent the connection from loosening, tighten the fixture to a MINIMUM torque of 5 ft-lb (6.8 N·m) after threading it onto the pipe.

Installation and Service Instructions

- 4. Thread the fixture onto the 3/4" pipe and secure it with the set screw.

Figure 1 Pipe-mounted beacon



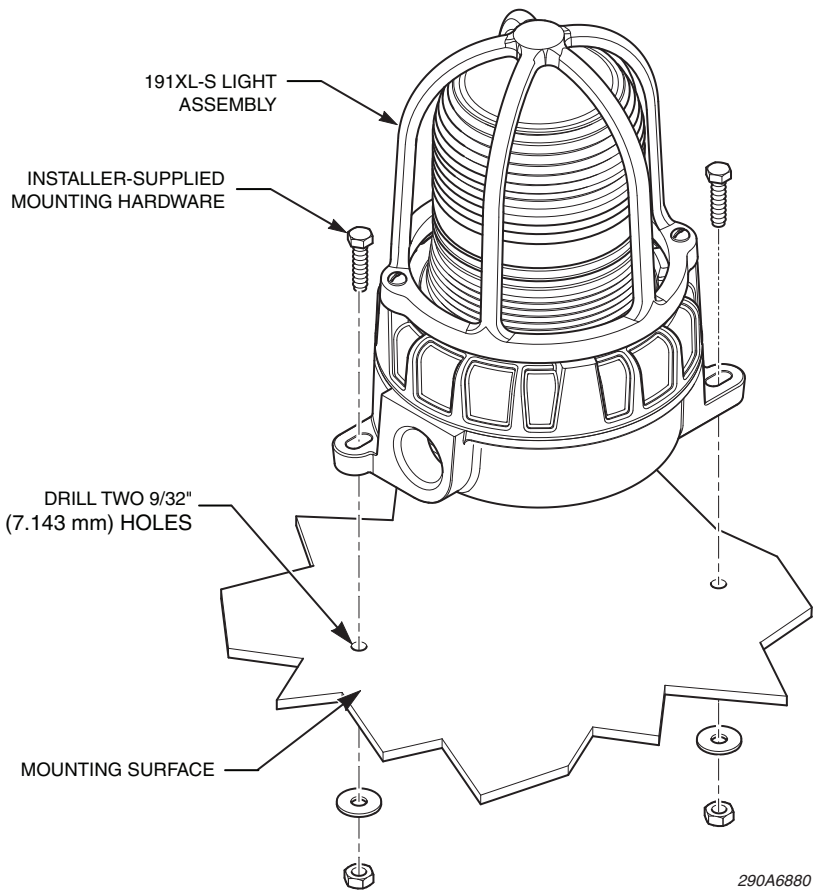
290A6881

Surface-Mounting the Beacon (191XL Series)

To surface mount the beacon:

1. Use the mounting base as a template to mark the location of the two mounting holes.
2. Drill a 9/32 inch (7.143 mm) hole at each mark.
3. Secure the beacon to the mounting surface with installer supplied hardware.

Figure 2 Surface-mounted beacon



Wiring the Beacon

⚠ WARNING

SHOCK HAZARD: *To avoid electrical shock hazards, do not connect wires while power is applied.*

⚠ WARNING

EXPLOSION HAZARD: *Do not disconnect the beacon while the circuit is live or unless the area is known to be free of ignitable concentrations. Keep the beacon tightly closed when in operation.*

Wiring must comply with the National Electrical Code or Canadian Electrical Code and the local authority having jurisdiction.

The Model 191XL Series LED Beacon should be installed per the NEC or CEC, STATE and LOCAL CODES. Alternate installation locations and/or orientations should only be performed with the approval of the authority having jurisdiction. In addition, the unit can be mounted using an optional ceiling mount or optional wall mount.

⚠ WARNING

SHOCK HAZARD: *To avoid electrical shock hazards, do not connect wires while power is applied.*

NOTE: 191XL Series beacons that are 24 V models are designed to operate on AC and DC supply voltages. The 120-240 Vac model is designed to operate 100 Vac to 265 Vac at 50/60 Hz. See Table 1 on page 7 for electrical ratings.

NOTICE

REVERSE POLARITY/MISWIRING: *The 191XL Series is not polarity sensitive, but MAY BE DAMAGED by incorrect electrical hookup. Damage will result if the voltage rating of the particular model is exceeded.*

NOTE: Field terminations made inside of the surface mount enclosure will require the printed circuit board (PCB) assembly to be removed from the housing. See Figure 3 on page 16 and follow steps 1–4 and 6–8 of “Changing from Flash Mode to Steady Mode” on page 14 for the PCB removal and installation process.

The surface mount enclosure is not suitable for feed-through branch-circuit conductors.

Wiring 120-240 Vac, 277 Vac Models

The 120-240 Vac and 277 Vac models are supplied with three 24-inch leads: white, black, and green/yellow. Connect the black lead to the phase (hot) side of the power source and the white lead to the common (neutral) side of the power source. If required, the green/yellow lead in the housing is provided for connection to an earth ground.

Wiring 24 Vac/dc Models

The 24 Vac/dc models are supplied with two 24" leads, one red and one black. Connect the red (+) lead to the positive or phase (hot) side of the power source and the black (–) lead to the negative or common (neutral) side of power source.

Safety Message to Maintenance Personnel

⚠ WARNING

Listed below are some important safety instructions and precautions you should follow:

- Read and understand all instructions before operating this system.
- Any maintenance to the light system must be done with power turned off.
- Any maintenance to the light system must be performed by a trained electrician who is thoroughly familiar with all applicable national and local codes in the country of use.
- Do not connect this beacon to the system when power is on.

Installation and Service Instructions

- Do not disconnect the beacon while circuit is live or unless the area is known to be free of ignitable concentrations. Keep the beacon tightly closed when in operation.
- Never alter the unit in any manner. Safety of the unit may be affected if additional openings or other alterations are made to the internal components or housing.
- The nameplate should NOT be obscured, as it contains cautionary and/or other information of importance to maintenance personnel. Ensure the nameplate remains readable if the housing exterior is painted.
- If the dome is damaged in any way, it MUST be replaced.
- After performing any maintenance, test the light system to ensure that it is operating properly.

Failure to follow all safety precautions and instructions may result in property damage, serious injury, or death to you or others.

Changing from Flash Mode to Steady Mode

⚠ WARNING

EXPLOSION HAZARD: To prevent ignition of hazardous atmospheres, disconnect the fixture from the supply circuit before opening it.

⚠ WARNING

EXPLOSION HAZARD: Do not disconnect the beacon while circuit is live or unless the area is known to be free of ignitable concentrations. Keep the beacon tightly closed when in operation.

⚠ WARNING

EXPLOSION HAZARD: To maintain the vapor-tight enclosure, do not damage the dome or threads while disassembling or reassembling the unit. Lubricated threaded joints exposed for long periods of time may attract small particles of dirt or other foreign materials. Housing and cover joints should be reassembled immediately, with all the threads fully engaged.

To change from the default Steady Mode to Flashing Mode.

1. Disconnect power to the beacon.
2. See Figure 3 on page 16. Remove the threaded dome assembly by twisting it counterclockwise.
3. Using a No. 2 Phillips screwdriver, remove two #8-32 pan-head screws holding the printed circuit board assembly to the die-cast housing. Be sure to retain the two nylon screw bushings isolating the bracket from the screws.
4. Gently lift the printed circuit board (PCB) assembly from the housing and turn the assembly over to access the component side of the printed circuit board.
5. See Figure 4 on page 17. Locate jumper J3 and lift the jumper to remove it from “Flash” setting. Re-seat the jumper over the pins labeled “Steady.”
6. Place the printed circuit board assembly back into housing, making sure that four insulating pads are seated between the metal bracket and die-cast housing. The bracket must be oriented so that the notch in the bracket is aligned with the ground screw in the die-cast housing. This step must be carefully followed to prevent arcing and dielectric failure.
7. Slide two #8-32 pan-head screws into the screw bushings and tighten screws to secure the printed circuit board assembly to the die-cast housing.
8. Thread the dome assembly back onto the housing by turning it clockwise to tighten.

⚠ WARNING

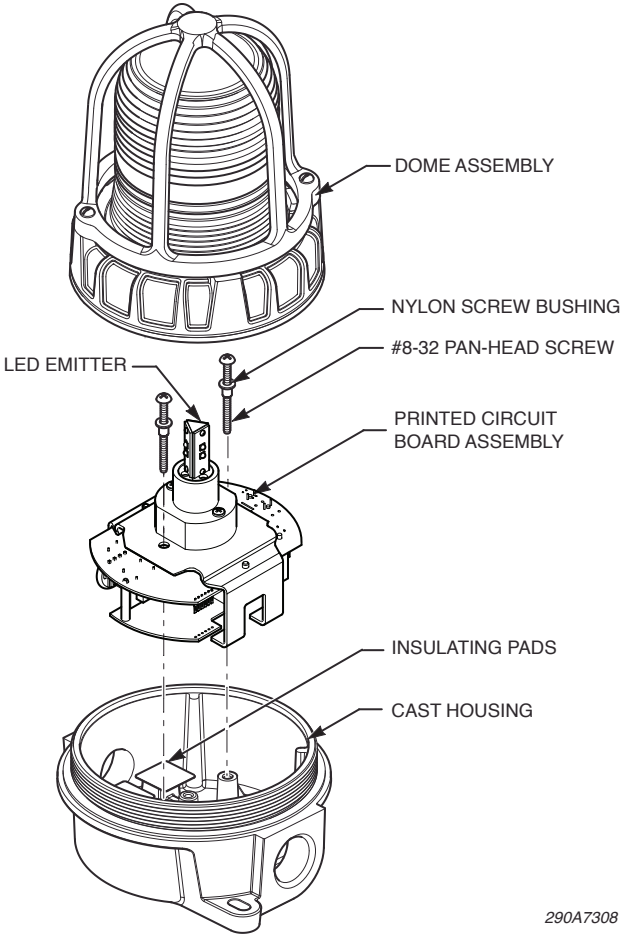
SHOCK HAZARD: To avoid electrical shock hazards, do not connect wires while power is applied.

9. Reconnect the beacon to power.

Installation and Service Instructions

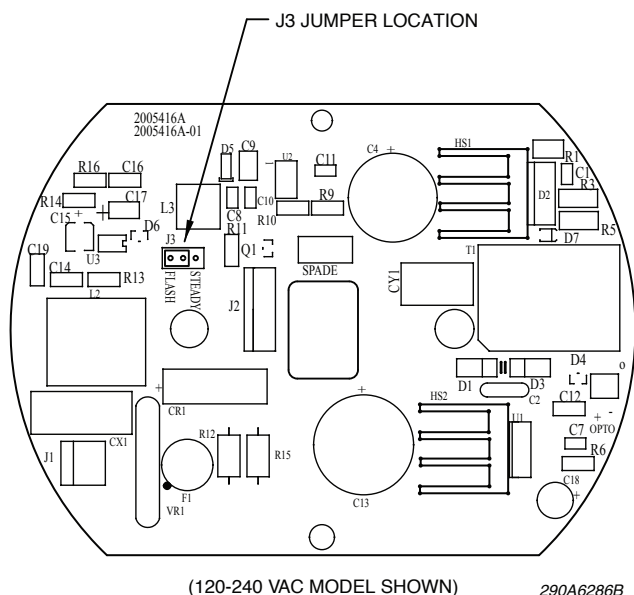
- 10. Test the device by applying power and verifying the steady operation of the LED lamp.

Figure 3 PCB removed from housing



290A7308

Figure 4 Location of jumper J3 on PCB



Cleaning the Fixture

⚠ WARNING

EXPLOSION HAZARD: *Never use an abrasive material or file to remove corrosive materials from threaded surfaces. In extremely corrosive locations, equipment should be periodically inspected to guard against unusual deterioration and possible porosity, since this may weaken the enclosure structurally.*

Maintenance procedures sometimes require fixtures to be hosed down for good housekeeping. The circuit should be turned off prior to hosing down the fixture.

The fixture should be cleaned periodically to maintain maximum light output. Only mild, non-abrasive cleaning agents should be used. The glass dome should be regularly inspected for scratches and chips, and if damaged, **MUST** be replaced.

Lubricating the Threaded Joint

The threaded joint on the cover should be kept well lubricated with a corrosion inhibiting grease such a petrolatum or soap-thickened mineral oil. If corrosive materials have accumulated on the threaded joints and cannot be removed with solvents, the parts should be discarded and replaced.

Ordering Replacement Parts



EXPLOSION HAZARD: Substitution of components may impair suitability for Class I, Division 2.

Typical spare parts are listed Table 5. Due to certification, certain component parts are not available for field replacement. Units with this type of damage must be either replaced entirely or returned to Federal Signal for service. To order replacement parts, please call Federal Signal Customer Support at 708-534-4790 or 800-524-3021.

Table 5 Replacement parts

Description	Part Number
Dome Assy., Amber	K8449078-01
Dome Assy., Blue	K8449078-06
Dome Assy., Clear	K8449078-04
Dome Assy., Green	K8449078-07
Dome Assy., Red	K8449078
Gasket	K8449080
Grease, 8 oz Tube	KR81-05-01
Dome Guard	K8449090
LED Emitter, Amber	K14700030-A
LED Emitter, Blue	K14700030-B
LED Emitter, Green	K14700030-G
LED Emitter, Red	K14700030-R
LED Emitter, White	K14700030-W

Getting Repair Service and Technical Assistance

Products returned for repair require a Return Authorization form. To obtain repair service or technical assistance for the product, call Federal Signal at 708-534-4790 or 800-524-3021. For instruction manuals and information on related products, visit: <http://www.fedsig.com>

Returning the Product for Credit

Product returns for credit require a return authorization from your local distributor prior to returning the product to Federal Signal. Please contact your distributor for assistance.

A product is qualified to be returned for credit when the following conditions are met:

- Product is resalable and in the original cartons
- Product has not been previously installed
- Product is the current revision
- Product has not been previously repaired
- Product is a standard product
- Product is not a service part

All returns are subject to a re-stock fee.

Defective products that are returned within the warranty period will be repaired or replaced at Federal Signal's sole discretion. Defective products do not include those products with lamp failure.

Circumstances other than those listed above will be addressed on a case-by-case basis.



FEDERAL SIGNAL
Safety and Security Systems

2645 Federal Signal Drive
University Park, Illinois 60484-3167

www.fedsig.com

Customer Support 800-344-4634 • +1 708 534-3400

Technical Support 800-524-3021 • +1 708 534-3400



FEDERAL SIGNAL

Safety and Security Systems / **Industrial**

La lumière DEL 191XL pour les endroits dangereux



Instructions d'installation et d'entretien

2561421

REV. H0 0718

Imprimé aux États-Unis

© 2013-2018 Federal Signal Corporation. Tous droits réservés.

Garantie limitée

Le présent produit est sujet à une garantie limitée et est couvert par celle-ci. Vous pouvez obtenir une copie de cette dernière sur le site www.fedsig.com/SSG-Warranty. Vous pouvez également obtenir une copie de la présente garantie limitée en envoyant une demande écrite à Federal Signal Corporation, 2645 Federal Signal Drive, University Park, IL 60484, en envoyant un e-mail à info@fedsig.com ou en appelant le +1 708-534-3400.

La présente garantie limitée remplace toutes les autres garanties, explicites ou implicites, contractuelles ou légales, y compris, mais sans se limiter à la garantie de qualité marchande, la garantie d'habitabilité à une fin particulière et toute garantie contre une défaillance de sa finalité essentielle.



FEDERAL SIGNAL
Systèmes de sécurité et de sûreté

2645 Federal Signal Drive
University Park, Illinois 60484-3167

www.fedsig.com

Service client 800-344-4634 • +1 708 534-3400

Support technique 800-524-3021 • +1 708 534-3400

Contenu

Messages de sécurité destinés aux installateurs	25
Tour d'horizon de la gamme 191XL	26
Déballage de la lumière.....	27
Installation de la lumière sur un tuyau (Série 191XL)	29
Installation de la lumière sur une surface (Série 191XL).....	30
Câblage de la lumière.....	31
Schémas de câblage de 120-240 V à 277 V c.a.....	33
Schémas de câblage de 24 V c.a./c.c.	33
Messages de sécurité destinés au personnel d'entretien	33
Passer du mode clignotant au mode continu.....	34
Nettoyage de l'appareil	37
Lubrification du joint fileté	38
Commander des pièces de rechange.....	38
Faire appel au service de réparations et à l'assistance technique	39
Renvoi du produit pour obtention d'un crédit.....	39

Tableaux

Tableau 1 Valeurs électriques.....	27
Tableau 2 Données liées à l'environnement lors de l'installation.....	28
Tableau 3 Plage de température ambiante et de fonctionnement pour le 191XL.....	28
Tableau 4 Plage de température ambiante et de fonctionnement pour le 191XL-CN.....	28
Tableau 5 Pièces de rechange	38

Figures

Figure 1 Lumière fixée sur un tuyau 30

Figure 2 Lumière fixée sur une surface 31

Figure 3 PCB retiré du boîtier 36

Figure 4 Emplacement du cavalier J3 sur la carte de circuit imprimé 37

Messages de sécurité destinés aux installateurs

▲AVERTISSEMENT

Bien suivre toutes les instructions fournies avec ce produit. Cet appareil doit être installé par un électricien qualifié qui connaît parfaitement le Code national de l'électricité et/ou le Code canadien de l'électricité, et suivra les directives du CNE et/ou du CCE, ainsi que des codes locaux. Cette lumière doit être considérée comme faisant partie du système d'avertissement et non comme le système lui-même.

Le choix du lieu d'installation de la lumière, de ses commandes et le passage des câbles doivent s'effectuer sous la direction de l'ingénieur des installations et de l'ingénieur de la sécurité. De plus, d'autres précautions et instructions importantes relatives à la sécurité et à observer figurent dans la liste ci-dessous :

- Bien lire et comprendre toutes les instructions avant d'installer ou d'utiliser cette lumière.
- Ne pas connecter cette lumière au système lorsque ce dernier est sous tension.
- Ne débrancher la lumière que si le circuit est sous tension ou si vous avez vérifié qu'il n'y a pas de concentrations de produits inflammables dans la zone. Lors du fonctionnement, la lumière doit être hermétiquement fermée.
- Après l'installation, s'assurer que toutes les vis de fixation et tous les joints filetés sont correctement serrés.
- Ne jamais modifier cet appareil de quelque façon que ce soit. Le fait de ménager d'autres ouvertures ou d'apporter d'autres modifications à des appareils spécialement conçus pour des emplacements dangereux peut compromettre la sécurité.
- Pour être un avertisseur efficace, ce produit émet une lumière vive pouvant être dangereuse pour la vue si elle est regardée de près. Ne pas regarder fixement et de près cet appareil lumineux car cela pourrait endommager de façon permanente la vision.

Instructions d'installation et d'entretien

- Après l'installation, tester la lumière pour vérifier son bon fonctionnement.
- Maintenir l'appareil hermétiquement fermé pendant son fonctionnement.
- Une fois le test complété, distribuer une copie de ce livret d'instructions à tous les membres du personnel.
- Établir une procédure de vérification régulière de l'activation correcte et du bon fonctionnement de la lumière.

Le non-respect de toutes les précautions et instructions de sécurité peut provoquer des dommages à la propriété, des blessures graves voire la mort.

Tour d'horizon de la gamme 191XL

Le 191XL ne convient qu'aux emplacements de la classe I, division 2, groupes A, B, C et D; de la classe II, division 1, groupes E, F et G; de la classe III OU aux emplacements non dangereux.

Le 191XL-CN peut être utilisé uniquement dans les zones de Classe I, Zone 2 et Zone 22 ou dans des zones non dangereuses.

Cette lumière stroboscopique peut être montée sur un support LHWB de Federal Signal. Dans ce cas, l'installation finale n'est destinée qu'à des emplacements de la classe I, division 2, groupes A, B, C et D; de la classe II, division 2, groupes F et G; de la classe III.

La lumière DEL Série 191XL est un signal visuel homologué UL, conçu pour les conditions difficiles et les endroits dangereux. UL a effectué des tests concluants sur la protection 4X et IP66 de son boîtier. L'appareil est conçu pour être alimenté par un circuit de 100 V c.a. à 265 V c.a. à 50/60 Hz et 0,21 A, de 277 V c.a. à 50/60 Hz et 0,13 A, ou de 24 V c.c./V c.a. à 50/60 Hz et 0,40 A. Le modèle Série 191XL est proposé en rouge, ambre, vert, bleu et transparent. Par ailleurs, le Série 191XL est réglé en usine sur un rythme de 60 flashes par minute. Une option permet de placer la lumière DEL en mode

continu. (Voir « Passer du mode clignotant au mode continu », page 34). Certains modèles se fixent sur un tuyau (Série 191XL-S).

Ces appareils sont conçus pour être installés de manière permanente et être utilisés conformément aux dispositions du titre 46 du Code of Federal Regulations, parties 110 à 113, ou du titre 33 du même document, partie 183, sous-partie I, section 183.410, ainsi que des dispositions applicables de l'American Boat and Yacht Council, Inc. et/ou de la norme ANSI/NFPA 302 intitulée « Fire Protection Standard for Pleasure and Commercial Motor Craft ».

Déballage de la lumière

⚠ AVERTISSEMENT

RISQUE D'EXPLOSION: S'ils sont abîmés, les dômes peuvent provoquer des explosions susceptibles d'entraîner des blessures graves, voire la mort.

Après avoir déballé la lumière, l'inspecter pour vérifier qu'aucun dommage n'est survenu lors du transport. Si la lumière a été endommagée, ne pas essayer de l'installer ou de l'utiliser. Déposer immédiatement une réclamation auprès du transporteur en précisant l'étendue des dégâts. Vérifier avec soin toutes les enveloppes, étiquettes d'expédition et autres étiquettes avant de les retirer ou de les détruire. La mise au rébus de tout matériel de transport doit être effectuée conformément aux normes et codes locaux et nationaux. En cas de pièces manquantes, communiquer avec le Service à la clientèle de Federal Signal au 800-524-3021 ou 708-534-4790.

Tableau 1 Valeurs électriques

Tension de fonctionnement :	24 V c.c./c.a.	100-265, 277 V c.a.	277 V c.a.
Flash/minute :	60 FPM	60 FPM	60 FPM
Courant de fonctionnement maximum :	380 mA	210 mA	130 mA
Fréquence :	DC/50/60	50/60	50/60
Courant d'appel DC :	1,75 A à 24 V c.c. pour 5 ms		

Instructions d'installation et d'entretien

Courant d'appel AC :	2,0 A à 85 V c.a. et 1,5 A à 265 et 277 V c.a. pour 0,25 ms
----------------------	--

Tableau 2 Données liées à l'environnement lors de l'installation

Températures ambiantes de stockage : - 55 °C à + 70 °C
Type 4X (étanche à l'eau et résistant à la corrosion) et utilisation à l'intérieur/à l'extérieur -50 °C à + 66° C (191XL), -35 °C à + 66° C (191XL-C)
IP66 (protection anti-poussière et protection contre les fortes mers) et utilisation extérieure (eau de mer)
IP66 (protection anti-poussière et protection contre les fortes mers) et utilisation extérieure (eau de mer)

Tableau 3 Plage de température ambiante et de fonctionnement pour le 191XL

	Code de température ou température maximale, °C								
	40 °C ambiants			55 °C ambiants			66 °C ambiants		
Endroits dangereux	24 V	100–265 V c.a.	277 V c.a.	24 V	100–265 V c.a.	277 V c.a.	24 V	100–265 V c.a.	277 V c.a.
Classe I, division 2, groupes A, B, C et D	T6	T6	T5	T5	T5	T5	T4A	T4A	T5
Classe II, division 1, groupes E, F, et G	T6	T6	T6	T6	T6	T6	T6	T6	T6
Classe III	T6	T6	T6	T6	T6	T6	T6	T6	T6

Tableau 4 Plage de température ambiante et de fonctionnement pour le 191XL-CN

Code de température à 66°C Ambient	
Emplacements Dangereux	Code T
Classe I, Zone 2	T4
Zone 22	T85°C

Installation de la lumière sur un tuyau (Série 191XL)

▲AVERTISSEMENT

RISQUES D'EXPLOSION: Pour réduire les risques d'incendie ou d'explosion, ne pas installer la lumière dans un endroit dangereux si la température de fonctionnement dépasse le point d'inflammation de l'atmosphère dangereuse. Avant toute chose, consulter la plaque signalétique du produit pour connaître la température de fonctionnement de la lumière.

REMARQUE : Conformément à la section 300-14 du NEC, qui exige une longueur minimale de 15,25 cm (6 po) de conducteur libre au raccordement, le tuyau utilisé pour raccorder l'appareil au boîtier de branchement lors de l'installation du Modèle Série 191XL ne doit pas dépasser 25,4 cm (10 po).

Le Modèle Série 191XL est conçu pour être fixé sur un tuyau de 19 mm (0,75 po), dans n'importe quelle position.

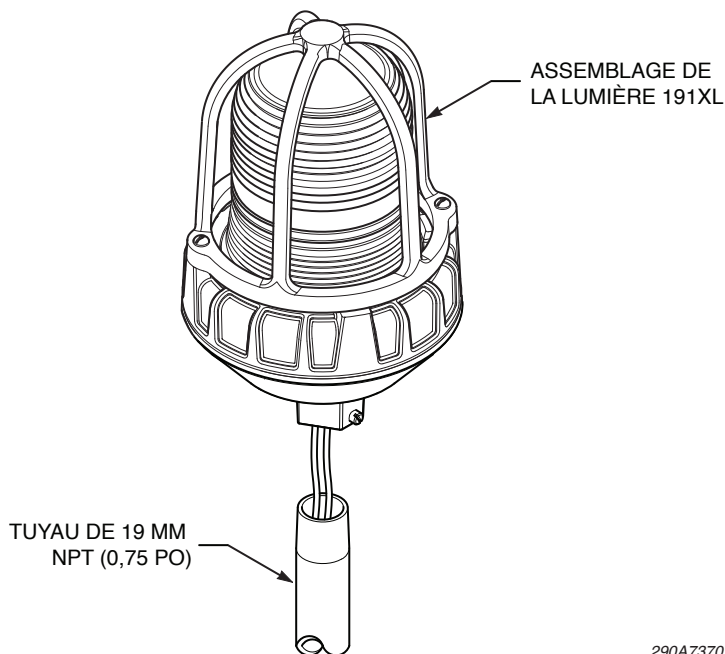
1. Avant l'installation de la lumière, vérifier que les filets correspondants sont propres.
2. Pour empêcher l'eau et la poussière d'entrer dans l'appareil, appliquer du produit d'étanchéité aux filets du conduit avant l'installation. Si le produit d'étanchéité utilisé n'est pas conducteur, le boîtier doit être mis à la terre grâce au fil ou à la vis de mise à la terre interne prévu à cet effet, afin d'assurer la continuité correcte de la mise à la terre.
3. En cas d'installation du dôme vers le bas dans des milieux très humides, de la condensation peut apparaître dans les conduits. Utiliser des évacuations ou des joints pour conduits correctement adaptés afin que l'humidité ne puisse pas pénétrer dans l'appareil.

IMPORTANT : Pour éviter que le raccord ne se desserre, serrer l'appareil à un couple MINIMUM de 6,8 N·m (5 pi-lb) après le filetage dans le tuyau.

Instructions d'installation et d'entretien

4. Visser l'appareil sur le tuyau de 19 mm (0,75 po) et le fixer à l'aide de la vis de fixation.

Figure 1 Lumière fixée sur un tuyau

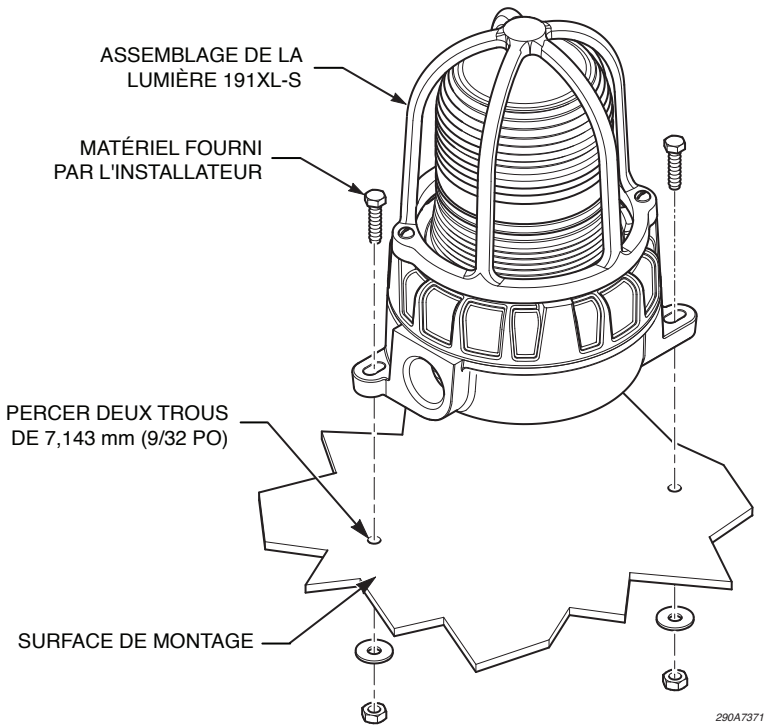


Installation de la lumière sur une surface (Série 191XL)

Pour fixer la lumière sur une surface :

1. Se servir de la base comme d'un modèle pour marquer l'emplacement des deux trous de fixation.
2. Percer un trou de 7,143 mm (9/32 po) à chaque emplacement.
3. Fixer la lumière sur la surface de montage à l'aide du matériel fourni par l'installateur.

Figure 2 Lumière fixée sur une surface



Câblage de la lumière

⚠ AVERTISSEMENT

RISQUE DE CHOC ÉLECTRIQUE: Afin d'éviter les dangers de chocs électriques, ne pas brancher de fil tant que l'alimentation est activée.

⚠ AVERTISSEMENT

RISQUES D'EXPLOSION: Ne débrancher la lumière que si le circuit est sous tension, ou si vous avez vérifié qu'il n'y a pas de concentration de produits inflammables dans la zone. Lors du fonctionnement, la lumière doit être hermétiquement fermée.

Le câblage doit être conforme aux dispositions du Code national de l'électricité ou du Code canadien de l'électricité et des dispositions des autorités locales compétentes.

La lumière à DEL de la gamme 191XL doit être installée conformément au Code national de l'électricité ou au Code canadien de l'électricité, aux CODES PROVINCIAUX et aux CODES LOCAUX. Pour procéder à l'installation à un autre endroit et/ou dans un autre sens, il vous faut l'approbation de l'autorité compétente. En outre, il est possible de fixer l'appareil à l'aide d'un montant pour plafond ou pour mur, offert en option.

▲AVERTISSEMENT

RISQUE DE CHOC ÉLECTRIQUE: Pour éviter les chocs électriques, ne pas brancher les fils lorsque l'appareil est sous tension.

REMARQUE : Le modèle Série 191XL qui est un modèle de 24 V est conçu pour fonctionner sous des tensions d'alimentation CA et CC. Le modèle de 120 à 240 V c.a. est conçu pour fonctionner sous des tensions comprises entre 100 V c.a. et 265 V c.a.

AVIS

POLARITÉ INVERSÉE/MAUVAIS BRANCHEMENT: Bien qu'il ne soit pas polarisé, l'appareil Série 191XL PEUT S'ABÎMER s'il est mal branché. En particulier, il peut subir des dégâts en cas de dépassement de la tension nominale du modèle particulier.

REMARQUE : Pour effectuer des connexions sur le terrain à l'intérieur du boîtier de montage en surface, il faut retirer la carte de circuit imprimé du boîtier. Voir figure 3 page 36 et suivre les étapes 1 à 4 et 6 à 8 du chapitre « Passer du mode clignotant au mode continu » page 34, pour la procédure de retrait et d'installation de la carte de circuit imprimé.

Le boîtier de montage en surface ne convient pas aux conducteurs raccordés à une dérivation en passage continu.

Schémas de câblage de 120-240 V à 277 V c.a.

Les modèles de 120-240 V c.a. et 277 V c.a. sont fournis avec trois fils de 61 cm (24 po) : blanc, noir et vert/jaune. Connecter le fil noir au côté (chaud) de la phase de la source d'alimentation et le fil blanc au côté (neutre) commun de la source d'alimentation. Au besoin, le fil vert/jaune se trouvant à l'intérieur du boîtier est prévu pour la mise à la terre.

Schémas de câblage de 24 V c.a./c.c.

Les modèles de 24 V c.a./c.c. sont fournis avec deux fils de 61 cm (24 po), un rouge et un noir. Connecter le fil rouge (+) au côté positif ou (chaud) de la phase de la source d'alimentation et le fil noir (-) au côté négatif ou (neutre) commun de la source d'alimentation.

Messages de sécurité destinés au personnel d'entretien

AVERTISSEMENT

Les précautions et instructions de sécurité à suivre sont listées ci-dessous :

- Bien lire et comprendre toutes les instructions avant d'utiliser ce système.
- L'entretien du système lumineux doit s'effectuer lorsque l'alimentation est coupée.
- L'entretien de la lumière doit être exécuté par un électricien formé qui connaît bien les codes nationaux et locaux en vigueur du pays d'utilisation.
- Ne pas connecter cette lumière au système lorsque ce dernier est sous tension.
- Ne débrancher la lumière que si le circuit est sous tension ou si vous avez vérifié qu'il n'y a pas de concentrations de produits inflammables dans la zone. Lors du fonctionnement, la lumière doit être hermétiquement fermée.

Instructions d'installation et d'entretien

- Ne jamais modifier cet appareil de quelque façon que ce soit. La sûreté de l'appareil peut être compromise si des composants internes ou le boîtier sont percés ou modifiés.
- La plaque signalétique NE DOIT PAS être masquée, car elle comporte des avertissements et/ou d'autres données importantes pour le personnel d'entretien. Si le boîtier extérieur est peint, veiller à ce que la plaque signalétique reste lisible.
- Si le dôme est abîmé d'une manière ou d'une autre, il FAUT le remplacer.
- Après avoir effectué l'entretien, tester le système lumineux pour s'assurer du bon fonctionnement de la lumière.

Le non-respect de toutes les précautions et instructions de sécurité peut provoquer des dommages à la propriété, des blessures graves voire la mort, à vous ou aux autres personnes.

Passer du mode clignotant au mode continu

⚠AVERTISSEMENT

RISQUES D'EXPLOSION: Pour éviter l'inflammation en cas d'atmosphère dangereuse, débrancher l'appareil du circuit d'alimentation avant de l'ouvrir.

⚠AVERTISSEMENT

RISQUES D'EXPLOSION: Ne débrancher la lumière que si le circuit est sous tension ou si vous avez vérifié qu'il n'y a pas de concentrations de produits inflammables dans la zone. Lors du fonctionnement, la lumière doit être hermétiquement fermée

⚠AVERTISSEMENT

RISQUES D'EXPLOSION: Pour que le boîtier reste étanche à la vapeur, éviter d'abîmer le dôme ou les filets lors du démontage ou de l'assemblage de l'appareil. Lorsque les joints filetés lubrifiés restent longtemps exposés, ils peuvent attirer de petites particules de poussière ou d'autres matières. Les joints du boîtier et du couvercle doivent être remontés immédiatement et les filets vissés jusqu'au bout.

Pour passer du mode continu par défaut au mode clignotant.

1. Débrancher la lumière.
2. Voir la figure 3 page 36. Désassembler le dôme fileté en le tournant dans le sens antihoraire.
3. À l'aide d'un tournevis cruciforme n° 2, retirer les deux vis à tête tronconique 8-32 en insérant la carte de circuit imprimé dans le boîtier moulé. S'assurer de serrer les deux douilles de vissage en nylon en isolant le support des vis.
4. Soulever doucement la carte de circuit imprimé du boîtier et la retourner pour accéder au côté composant de la carte de circuit imprimé.
5. Voir figure 4 page 37. Localiser le cavalier J3 et le soulever pour le retirer du réglage « Clignotant ». Repositionner le cavalier au-dessus des broches marquées « Continu ».
6. Replacer la carte de circuit imprimé dans le boîtier, en s'assurant que les quatre coussinets isolants sont placés entre le support en métal et le boîtier moulé. Le support doit être orienté de manière à ce que l'encoche dans le support soit alignée avec la vis de mise à la terre dans le boîtier moulé. Il faut suivre attentivement cette étape pour empêcher les arcs électriques et les ruptures électriques.
7. Glisser deux vis à tête tronconique 8-32 dans les douilles de vissage et serrer les vis pour bien fixer la carte de circuit imprimé dans le boîtier moulé.
8. Fileter de nouveau le dôme dans le boîtier en le tournant dans le sens horaire afin de le serrer.

⚠ AVERTISSEMENT

RISQUE DE CHOC ÉLECTRIQUE: Afin d'éviter les dangers de chocs électriques, ne pas brancher de fil tant que l'alimentation est activée

9. Rebrancher la lumière.

- 10.** Tester l'appareil en branchant l'alimentation et en vérifiant le fonctionnement continu de la lampe à DEL.

Figure 3 PCB retiré du boîtier

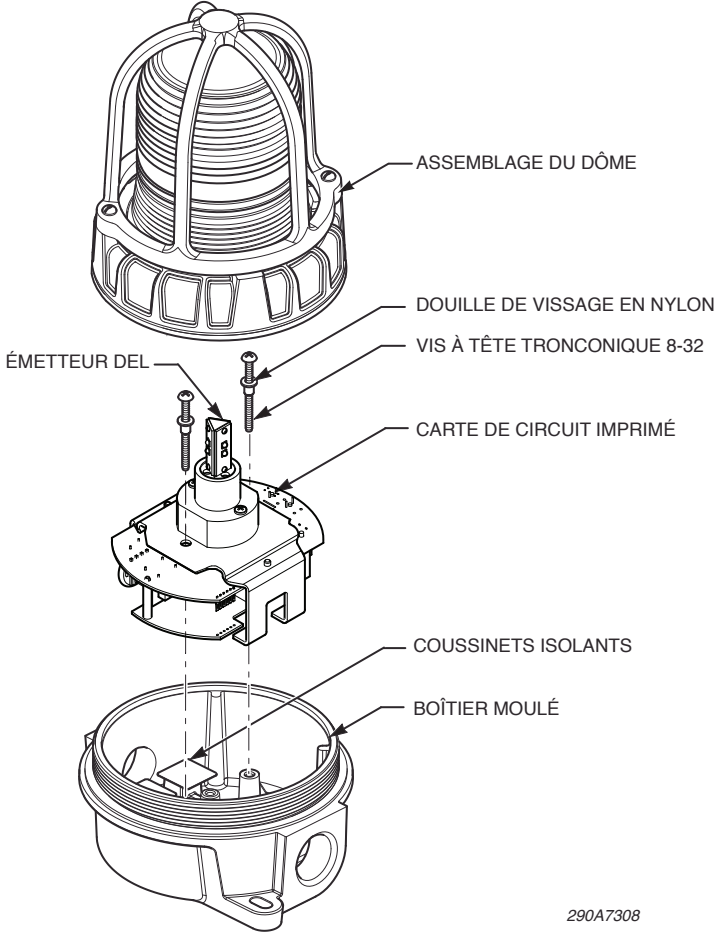
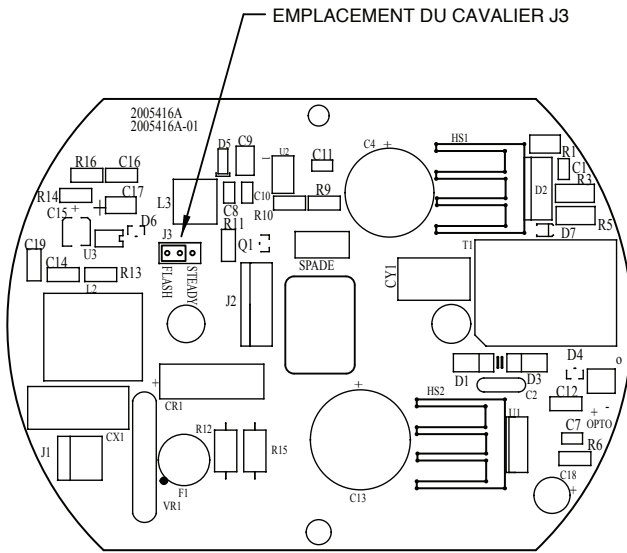


Figure 4 Emplacement du cavalier J3 sur la carte de circuit imprimé



(MODÈLE 120-240 V.c.a. MONTRE)

290A7373

Nettoyage de l'appareil

⚠ AVERTISSEMENT

RISQUES D'EXPLOSION: *Ne jamais utiliser une matière ou une lime abrasive pour éliminer des substances corrosives sur les surfaces filetées. En cas de très forte corrosion, il faut inspecter régulièrement l'équipement pour le protéger d'une détérioration anormale et éviter qu'il devienne poreux, ce qui pourrait affaiblir la structure du boîtier.*

Il est parfois nécessaire de laver les appareils d'éclairage au jet d'eau pour bien les nettoyer. Dans ce cas, il faut couper le circuit d'alimentation électrique avant de procéder au nettoyage.

Pour conserver une émission lumineuse maximale, il faut nettoyer l'appareil périodiquement. Seuls les produits de nettoyage doux et non abrasifs sont autorisés. Il faut inspecter régulièrement le dôme de verre à la recherche d'éraflures et d'éclats. S'il est abîmé, il FAUT le remplacer.

Lubrification du joint fileté

Le joint fileté du couvercle doit toujours rester bien lubrifié à l'aide d'une graisse anticorrosion, comme de la gelée de pétrole ou de l'huile minérale épaissie par un savon. Si le solvant ne suffit pas à retirer la corrosion accumulée sur les joints filetés, il faut jeter les pièces et les remplacer.

Commander des pièces de rechange

⚠ AVERTISSEMENT

RISQUES D'EXPLOSION: Il se peut qu'un appareil dont les composants ont été remplacés ne convienne plus à l'utilisation de classe I, division 2.

Les pièces de rechange courantes sont énumérées au tableau 5. Pour des raisons de certification, les pièces de certains composants ne peuvent pas être remplacées sur place. Dans ce cas, l'appareil au complet doit être remplacé ou renvoyé à Federal Signal pour y être réparé. Pour commander des pièces de rechange, communiquer avec le Service à la clientèle de Federal Signal au 708-534-4790 ou au 800-524-3021.

Tableau 5 Pièces de rechange

Description	Numéro de pièce
Dôme, ambre	K8449078-01
Dôme, bleu	K8449078-06
Dôme, transparent	K8449078-04
Dôme, vert	K8449078-07
Dôme, rouge	K8449078
Joint statique	K8449080
Graisse, tube de 226 g (8 oz)	KR81-05-01
Protecteur de dôme	K8449090
Émetteur DEL, ambre	K14700030-A
Émetteur DEL, bleu	K14700030-B
Émetteur DEL, vert	K14700030-G
Émetteur DEL, rouge	K14700030-R
Émetteur DEL, blanc	K14700030-W

Faire appel au service de réparations et à l'assistance technique

Les produits renvoyés pour réparation doivent être accompagnés d'un formulaire d'autorisation de renvoi. Pour obtenir le service de réparations ou l'assistance technique pour ce produit, communiquer avec Federal Signal au 708-534-4790 ou au 800-524-3021. Pour des manuels d'instruction et des données relatives aux produits connexes, visiter le site : <http://www.fedsig.com>

Renvoi du produit pour obtention d'un crédit

Les produits renvoyés doivent être accompagnés d'une autorisation de renvoi accordée par le distributeur local avant le renvoi du produit chez Federal Signal. Communiquer avec le distributeur pour obtenir de l'aide.

Un produit peut être renvoyé avec obtention d'un crédit si les conditions suivantes sont remplies :

- Le produit est revendable et est renvoyé dans son emballage d'origine
- Le produit n'a pas encore été installé
- Le produit est le modèle le plus récent
- Le produit n'a jamais été réparé
- Le produit est un produit standard
- Le produit n'est pas une pièce détachée

Tous les renvois de produits font l'objet de frais de restockage.

Les produits défectueux renvoyés au cours de la période de garantie seront réparés ou remplacés à la seule discrétion de Federal Signal. Les produits dont la lampe est défectueuse ne sont pas considérés comme des produits défectueux.

Toute demande autre que celle citée ci-dessus sera examinée au cas par cas.



2645 Federal Signal Drive
University Park, Illinois 60484-3167

www.fedsig.com

Service client 800-344-4634 • +1 708 534-3400

Support technique 800-524-3021 • +1 708 534-3400



FEDERAL SIGNAL

Safety and Security Systems / **Industrial**

Baliza LED Modelo 191XL para operación en ubicaciones peligrosas



Manual de instalación y mantenimiento

2561421

REV. H0 0718

Impreso en los EE. UU.

© 2013-2018 Federal Signal Corporation. Reservados todos los derechos.

Garantía limitada

Este producto está sujeto a y cubierto por una garantía limitada, cuya copia se puede encontrar en www.fedsig.com/SSG-Warranty. Una copia de esta garantía limitada también se puede obtener mediante solicitud por escrito a Federal Signal Corporation, 2645 Federal Signal Drive, University Park, IL 60484, a través del envío de un correo electrónico a info@fedsig.com o si llama al +1 708-534-3400.

Esta garantía limitada reemplaza a todas las demás garantías, expresas o implícitas, contractuales o legales, incluida, entre otras, la garantía de comerciabilidad, la garantía de idoneidad para un propósito en articular y cualquier garantía contra la imposibilidad de cumplir con su finalidad fundamental.



FEDERAL SIGNAL
Sistemas de seguridad

2645 Federal Signal Drive
University Park, Illinois 60484-3167

www.fedsig.com

Atención al cliente 800-344-4634 • +1 708 534-3400

Soporte técnico 800-524-3021 • +1 708 534-3400

Contents

Mensajes de seguridad para los instaladores	45
Descripción de la Serie 191XL	46
Desembalaje de la baliza	47
Montaje de la baliza en tubo (Serie 191XL)	49
Montaje de la baliza en superficie (Serie 191XL)	50
Cableado de la baliza	51
Cableado Modelos de 120-240 Vca et 277 Vca	52
Cableado Modelos de 24 Vca/cc	53
Mensaje de seguridad para el personal de mantenimiento	53
Cambio de modo de parpadeo al modo de encendido permanente	54
Limpieza del artefacto	57
Lubricación de la unión roscada	58
Pedido de piezas de repuesto	58
Obtención de servicio de reparación y asistencia técnica	58
Devolución del producto para obtener crédito	59

Tablas

Tabla 1 Clasificación eléctrica	47
Tabla 2 Clasificación ambiental de la instalación	48
Tabla 3 Rango de temperatura ambiental y de funcionamiento para el 191XL	48
Tabla 4 Rango de temperatura ambiental y de funcionamiento para el 191XL-CN	48
Tabla 5 Piezas de repuesto	59

Figuras

Figura 1 Baliza montada en tubo.....49

Figura 2 Baliza montada en superficie50

Figura 3 PCB extraído de la carcasa.....55

Figure 4 Ubicación del puente J3 en el PCB.....56

Mensajes de seguridad para los instaladores

ADVERTENCIA

Es importante seguir todas las instrucciones enviadas con este producto. Este dispositivo debe ser instalado por un electricista capacitado completamente familiarizado con el Código Eléctrico Nacional y/o el Código Eléctrico de Canadá y que siga los lineamientos NEC y/o CEC y todos los códigos locales. Esta baliza debe considerarse parte del sistema de advertencia y no el sistema de advertencia completo.

La selección de la ubicación de montaje de la baliza, sus controles y la colocación del cableado deben realizarse bajo la dirección del ingeniero de la planta y del ingeniero de seguridad. Asimismo, a continuación se incluyen algunas instrucciones y precauciones importantes de seguridad que debe seguir:

- Lea y comprenda todas las instrucciones antes de instalar y poner en funcionamiento esta baliza.
- No conecte esta baliza al sistema cuando esté encendido.
- No desconectar la baliza mientras el circuito esté vivo o a menos que se conozca que el área está libre de concentraciones inflamables. Mantenga la baliza bien cerrada durante la operación.
- Después de la instalación, asegúrese de que todos los tornillos de fijación y las uniones roscadas estén debidamente ajustadas.
- No altere nunca la unidad de ninguna forma. La seguridad en sitios peligrosos puede estar en riesgo si se realizan aberturas adicionales u otras alteraciones en unidades específicamente diseñadas para usarse en estas ubicaciones.
- Para ser un dispositivo de advertencia efectivo, este producto produce una baliza brillante que puede ser peligrosa para la vista si se mira desde una distancia corta. No mire directamente hacia este producto de iluminación desde una distancia corta, ya que pueden producirse daños permanentes a la visión.

Instrucciones de instalación y mantenimiento

- Después de la instalación, pruebe la baliza para asegurarse de que funcione correctamente.
- Mantenga la unidad bien cerrada durante la operación.
- Una vez que haya finalizado la prueba, entregue una copia de este cuadernillo de instrucciones a todo el personal.
- Establezca un procedimiento para verificar periódicamente la baliza a fin de comprobar la activación y el funcionamiento apropiados.

Si todas estas precauciones de seguridad e instrucciones no se observan, pueden ocasionarse daños a los bienes, lesiones graves o incluso la muerte.

Descripción de la Serie 191XL

El 191XL es adecuado para usar solamente en ubicaciones de Clase I, División 2, Grupos A, B, C y D; Clase II, División 1, Grupos E, F y G; Clase III O ubicaciones no peligrosas.

El 191XL-CN es adecuado para su uso en zonas de clase I, zona 2 y zona 22 o solo ubicaciones no peligrosas.

Esta luz estroboscópica puede montarse en un soporte Modelo LHWB de Federal Signal. Si se instala de esta forma, todo el dispositivo ensamblado es adecuado solo para ubicaciones de Clase I, Div. 2, Grupos A, B, C y D; Clase II, Div. 2, Grupos F y G; Clase III.

La baliza LED Modelo Serie 191XL es una señal visual homologada por UL para operación en entornos difíciles y ubicaciones peligrosas; ha sido investigada por UL y cumple con los requisitos de unidad de Tipo 4X e IP66. La unidad cuenta con una clasificación de operación de 100 Vca a 265 Vca, 50/60 Hz; 0,21 A, 277 Vca, 50/60 Hz; 0,13 A o 24 Vcc/ca 50/60 Hz, 0,40 A. El Serie 191XL puede incluir los colores rojo, ámbar, verde, azul y transparente. El Serie 191XL está configurado de fábrica para funcionar a 60 parpadeos/minuto. Existe la opción de operar la baliza LED en el modo de encendido permanente. (Ver “Cambio

del modo de parpadeo al modo de encendido permanente” en la página 54). Los modelos están disponibles para montaje en tubo (Serie 191XL) o montaje en superficie (Serie 191XL-S).

Estos dispositivos están destinados para su instalación permanente y operación de acuerdo con el Título 46, Código de Reglamentaciones Federales, Partes 110–113, o el Título 33, Código de Reglamentaciones Federales, Parte 183, Subparte I, Sección 183.410, y los requisitos correspondientes de American Boat and Yacht Council, Inc., y/o ANSI/NFPA 302, “Norma de Protección contra Incendios para Vehículos de Placer y Comerciales”.

Desembalaje de la baliza

⚠ ADVERTENCIA

RIESGO DE EXPLOSIONES: Las cúpulas dañadas pueden ocasionar explosiones que podrían resultar en lesiones serias o la muerte.

Después de desembalar la baliza, examínela para detectar daños que puedan haber ocurrido durante el tránsito. Si la baliza se ha dañado, no intente instalarla ni ponerla en funcionamiento. Presente un reclamo de inmediato al transportista, indicando la medida de los daños. Con cuidado, inspeccione todos los sobres, las etiquetas de envío y los rótulos antes de retirarlos o descartarlos. El desecho de todos los materiales de envío debe realizarse de acuerdo con los códigos y normas nacionales y locales. Si falta alguna pieza, contacte al Servicio de Asistencia al Cliente de Federal Signal al 708-534-4790 o 800-524-3021.

Tabla 1 Clasificación eléctrica

Voltaje de funcionamiento:	24 Vcc/ca	100–265, 277 Vca	277 Vca
Parpadeos/minuto:	60 FPM	60 FPM	60 FPM
Corriente máxima de funcionamiento:	380 mA	210 mA	130 mA
Frecuencia:	CC/50/60	50/60	50/60

Instrucciones de instalación y mantenimiento

Corriente CC de entrada:	1,75 A a 24 Vcc por 5 ms
Corriente CA de entrada:	2,0 A a 85 Vca y 1,5 A a 265 y 277 Vca por 0,25 ms

Tabla 2 Clasificación ambiental de la instalación

Clasificación de almacenamiento a temperatura ambiente: -55 °C a + 70 °C
Clasificación de funcionamiento a temperatura ambiente: -50 °C a + 66 °C (191XL), -35 °C a + 66 °C (191XL-CN)
Tipo 4X (impermeable y resistente a la corrosión) y uso en interiores/ exteriores
IP66 (a prueba de polvo y con protección contra mares agitadas) y tipo externo (agua salada)

Tabla 3 Rango de temperatura ambiental y de funcionamiento para el 191XL

	Código de temperatura o temperatura máxima, °C								
	40 °C Ambiente			55 °C Ambiente			66 °C Ambiente		
Hazardous Locations	24 V	100–265 Vca	277 Vca	24 V	100–265 Vca	277 Vca	24 V	100–265 Vca	277 Vca
Clase I, Div. 2, Grupos A, B, C y D	T6	T6	T5	T5	T5	T5	T4A	T4A	T5
Clase II, División 1, Grupos E, F y G	T6	T6	T6	T6	T6	T6	T6	T6	T6
Clase III	T6	T6	T6	T6	T6	T6	T6	T6	T6

Tabla 4 Rango de temperatura ambiental y de funcionamiento para el 191XL-CN

Código de temperatura a 66°C ambiente	
Lugares peligrosos	Código T
Clase I, Zona 2	T4
Zona 22	T85°C

Montaje de la baliza en tubo (Serie 191XL)

⚠ ADVERTENCIA

RIESGO DE EXPLOSIONES: *Para reducir el riesgo de incendio o explosión, no instale la baliza en una ubicación peligrosa si la temperatura de funcionamiento excede la temperatura de ignición de atmósferas peligrosas. Antes de continuar, consulte la placa de identificación del producto y determine la temperatura de funcionamiento de la baliza.*

NOTA: Para cumplir con la Sección 300-14 del NEC que requiere un mínimo de 15,25 cm (6 pulgadas) de conductor libre en las conexiones, al montar el Modelo Serie 191XL, el tubo de montaje usado para unir la unidad a una caja de empalme no debe tener más de 25,4 cm (10 pulgadas).

El Modelo Serie 191XL puede montarse en un tubo de 3/4 pulgadas y puede montarse en cualquier posición.

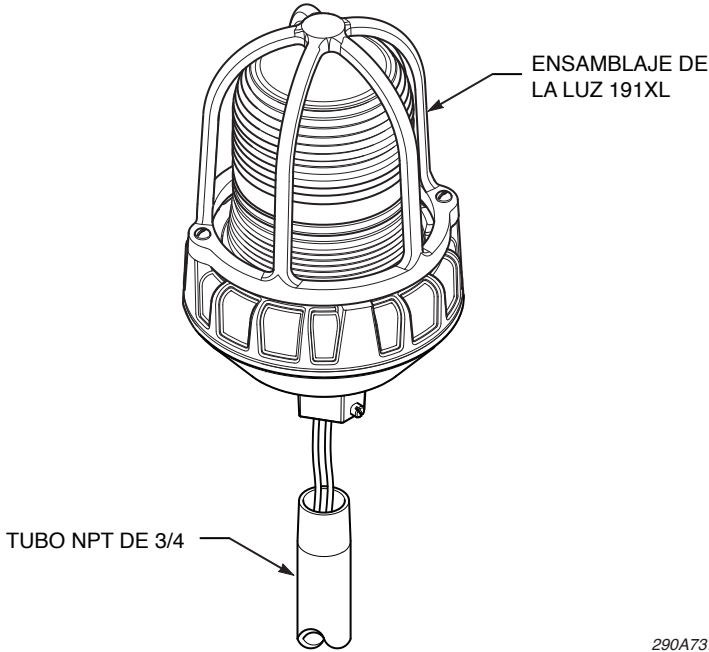
1. Antes de montar la baliza, asegúrese de que las roscas de acople estén limpias.
2. Para prevenir el ingreso de agua y de polvo, aplique sellador conductivo en las roscas de los conductos antes de montar. Si se usa sellador no conductivo, el gabinete debe conectarse a tierra a través del cable interno de tierra/tornillo de puesta a tierra para asegurar una continuidad correcta de la conexión a tierra.
3. En ambientes de alta humedad, cuando las unidades se montan con la cúpula hacia abajo, puede producirse condensación en el sistema de conductos. Use sellos/drenajes de conductos de la clasificación correcta para impedir que la humedad ingrese en el artefacto.

IMPORTANTE: Para impedir que la conexión se afloje, ajuste el artefacto a una torsión MÍNIMA de 5 ft-lb (6,8 N·m) después de enroscarlo en el tubo.

Instrucciones de instalación y mantenimiento

4. Enrosque el artefacto en el tubo de 3/4 pulgadas y sujételo con el tornillo de fijación.

Figura 1 Baliza montada en tubo



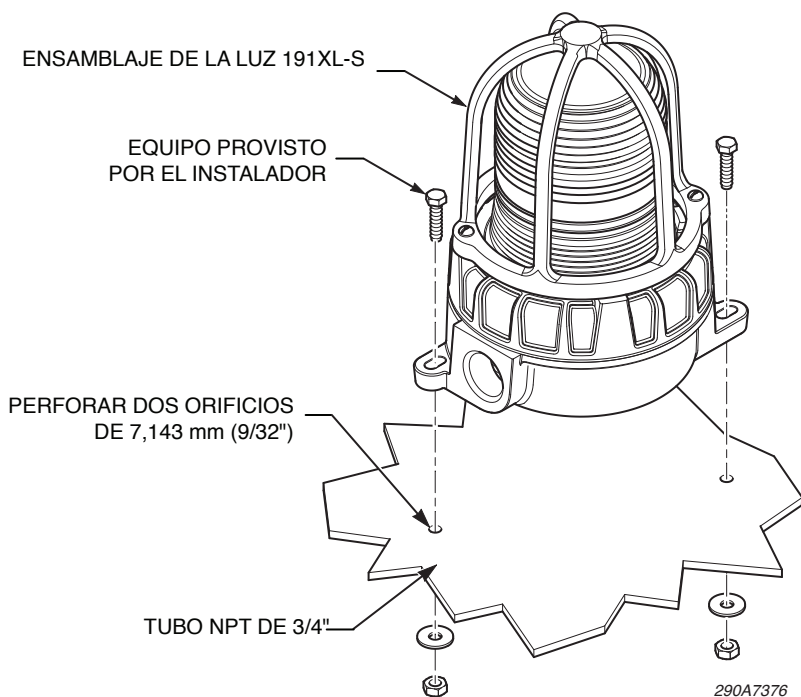
290A7375

Montaje de la baliza en superficie (Serie 191XL)

Para montar la baliza en superficie:

1. Use la base de montaje como plantilla para marcar la ubicación de los dos orificios de montaje.
2. Perfore un orificio de 7,143 mm (9/32 pulgadas) en cada marca.
3. Sujete la baliza a la superficie de montaje con el equipo provisto por el instalador.

Figura 2 Baliza montada en superficie



Cableado de la baliza

⚠ ADVERTENCIA

RIESGO DE DESCARGA ELÉCTRICA: Para evitar riesgos de descarga eléctrica, no conecte los cables mientras se recibe corriente.

⚠ ADVERTENCIA

RIESGO DE EXPLOSIONES: No desconectar la baliza mientras el circuito esté vivo o a menos que se conozca que el área está libre de concentraciones inflamables. Mantenga la baliza bien cerrada durante la operación.

El cableado debe cumplir con el Código Eléctrico Nacional o el Código Eléctrico Canadiense y la autoridad local con jurisdicción.

Instrucciones de instalación y mantenimiento

La baliza LED Modelo 191XL debe instalarse según el código NEC o CEC, y los CÓDIGOS ESTATALES y LOCALES. La elección de sitios y/u orientaciones de instalación alternativa solo debe realizarse con la aprobación de la autoridad con jurisdicción. Asimismo, la unidad puede montarse usando un montaje opcional en cielo raso o un montaje opcional en muro.

⚠ ADVERTENCIA

RIESGO DE DESCARGA ELÉCTRICA: Para evitar riesgos de descarga eléctrica, no conecte los cables mientras se recibe corriente.

NOTA: Los Modelos Serie 191XL de 24 V están diseñados para operar con voltaje de corriente CA y CC. El modelo de 120-240 Vca debe operar de 100 Vca a 265 Vca a 50/60 Hz. Vea la Tabla 1 en la página 47 para conocer la clasificación eléctrica.

AVISO

POLARIDAD INVERSA/CABLEADO INCORRECTO: El Serie 191XL no es sensible a la polaridad, pero PUEDE DAÑARSE por una conexión eléctrica incorrecta. Se producirán daños si se excede la clasificación de voltaje del modelo en particular.

NOTA: Las terminaciones en campo dentro de la unidad de montaje en superficie requerirán retirar la unidad del circuito impreso (PCB, por sus siglas en inglés) de la carcasa. Vea la Figura 3 en la página 56 y siga los pasos 1–4 y 6–8 de “Cambio de modo de parpadeo a modo de encendido permanente” en la página 54 para conocer el proceso de extracción e instalación del PCB.

La unidad de montaje en superficie no es adecuada para usar con conductores de circuito derivado pasante.

Cableado Modelos de 120-240 Vca et 277 Vca

Los modelos de 120-240 Vca y 277 Vca cuentan con tres cables de 24 pulgadas: blanco, negro y verde/amarillo. Conecte el cable negro al lado de la fase (caliente) de la fuente de alimentación y el cable blanco al lado común (neutro) de la fuente de alimentación. De ser necesario, el cable verde/

amarillo en la carcasa se incluye para la conexión a tierra.

Cableado Modelos de 24 Vca/cc

Los modelos de 24 Vca/cc cuentan con dos cables de 24", uno rojo y uno negro. Conecte el cable rojo (+) al lado positivo o de la fase (caliente) de la fuente de alimentación y el cable negro (-) al lado negativo o común (neutro) de la fuente de alimentación.

Mensaje de seguridad para el personal de mantenimiento

⚠ ADVERTENCIA

A continuación se incluyen algunas instrucciones y precauciones importantes de seguridad que debe seguir:

- Lea y comprenda todas las instrucciones antes de poner en funcionamiento este sistema.
- Cualquier mantenimiento del sistema de luces debe realizarse con la unidad apagada.
- Todo mantenimiento del sistema de luces debe ser realizado por un electricista capacitado que conozca en detalle todos los códigos nacionales y locales de aplicación en el país de uso.
- No conecte esta baliza al sistema cuando esté encendido.
- No desconectar la baliza mientras el circuito esté vivo o a menos que se conozca que el área está libre de concentraciones inflamables. Mantenga la baliza bien cerrada durante la operación.
- No altere nunca la unidad de ninguna forma. La seguridad de la unidad puede verse afectada si se realizan aberturas adicionales u otras alteraciones a los componentes internos o a la carcasa.
- La placa de identificación NO debe quedar oculta, ya que contiene información de precaución u otra información de importancia para el personal de mantenimiento. Asegúrese de

que la placa de identificación se pueda leer si se pinta la carcasa exterior.

- Si la cúpula se daña de alguna manera, DEBE reemplazarse.
- Después de realizar trabajos de mantenimiento, pruebe el sistema de la luz para asegurarse de que funcione correctamente.

Si todas estas precauciones de seguridad e instrucciones no se observan, pueden ocasionarse daños a los bienes, lesiones graves o incluso la muerte a usted o a los demás.

Cambio de modo de parpadeo al modo de encendido permanente

⚠ ADVERTENCIA

RIESGO DE EXPLOSIONES: Para prevenir la ignición de atmósferas peligrosas, desconecte el artefacto del circuito de alimentación antes de abrirlo.

⚠ ADVERTENCIA

RIESGO DE EXPLOSIONES: No desconectar la baliza mientras el circuito esté vivo o a menos que se conozca que el área está libre de concentraciones inflamables. Mantenga la baliza bien cerrada durante la operación.

⚠ ADVERTENCIA

RIESGO DE EXPLOSIONES: Para mantener la unidad impermeable al vapor, no dañe la cúpula ni las roscas mientras desensambla o vuelve a ensamblar la unidad. Las uniones roscadas lubricadas expuestas por períodos prolongados de tiempo pueden atraer pequeñas partículas de polvo u otros materiales extraños. La carcasa y las uniones de la cubierta deben volver a ensamblarse de inmediato, con todas las roscas totalmente acopladas.

Para cambiar del modo de encendido permanente predeterminado al modo de parpadeo.

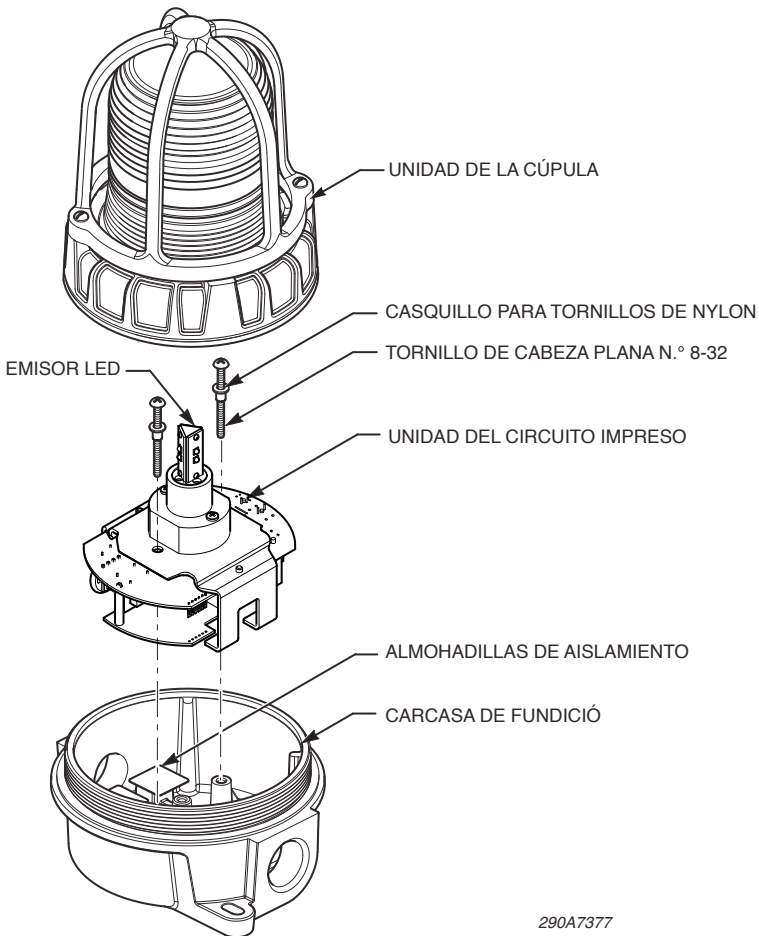
1. Desconecte la corriente eléctrica de la baliza.
2. Vea la Figura 3 en la página 56. Retire la unidad de la cúpula roscada girándola en sentido antihorario.
3. Con un destornillador Phillips N.º 2, retire los dos tornillos de cabeza plana N.º 8-32 que sujetan la unidad del circuito impreso a la carcasa de fundición. Asegúrese de sujetar los dos casquillos para tornillos de nylon que aíslan el soporte de los tornillos.
4. Levante suavemente la unidad del circuito impreso (PCB) de la carcasa y gire la unidad para acceder al lado de los componentes del circuito impreso.
5. Vea la Figura 4 en la página 57. Ubique el puente J3 y levante el puente para quitarlo de la configuración “Flash” [Parpadeo]. Vuelva a colocar el puente sobre las clavijas denominadas “Steady” [Encendido permanente].
6. Coloque la unidad del circuito impreso nuevamente en la carcasa, asegurándose de que las cuatro almohadillas de aislamiento se asienten entre el soporte de metal y la carcasa de fundición. El soporte debe orientarse de tal forma que la muesca en el soporte se alinee con el tornillo de puesta a tierra en la carcasa de fundición. Este paso debe seguirse atentamente para impedir la formación de arco eléctrico y la falla dieléctrica.
7. Deslice dos tornillos de cabeza plana N.º 8-32 en los casquillos para tornillos y ajuste los tornillos para sujetar la unidad del circuito impreso a la carcasa de fundición.
8. Enrosque la unidad de la cúpula nuevamente en la carcasa girándola en el sentido horario, y ajústela.

⚠ ADVERTENCIA

RIESGO DE DESCARGA ELÉCTRICA: Para evitar riesgos de descarga eléctrica, no conecte los cables mientras se recibe corriente.

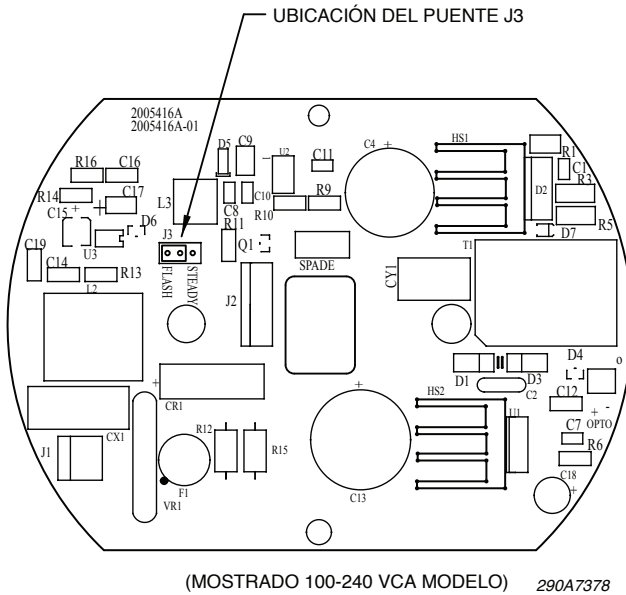
- 9. Vuelva a conectar la corriente eléctrica de la baliza.
- 10. Pruebe el dispositivo aplicando energía y verificando la operación permanente de la lámpara LED.

Figura 3 PCB extraído de la carcasa



290A7377

Figure 4 Ubicación del puente J3 en el PCB



Limpeza del artefacto

⚠ ADVERTENCIA

RIESGO DE EXPLOSIONES: Nunca use un material abrasivo ni una lima para retirar materiales corrosivos de las superficies roscadas. En ubicaciones extremadamente corrosivas, deben inspeccionarse periódicamente los equipos para protegerlos contra el deterioro inusual y la posible porosidad, ya que esto puede debilitar el gabinete estructuralmente.

Los procedimientos de mantenimiento en ocasiones requieren que los artefactos se limpien con una manguera para un buen mantenimiento. El circuito debe apagarse antes de desconectar los cables del artefacto.

El artefacto debe limpiarse periódicamente para mantener una salida máxima de luz. Solo deben usarse agentes de limpieza neutros, no abrasivos. La cúpula de vidrio debe inspeccionarse periódicamente para detectar rayones y muescas y, si está dañada, DEBE reemplazarse

Lubricación de la unión roscada

La unión roscada en la cubierta debe mantenerse bien lubricada con grasa que inhiba la corrosión, tal como aceite mineral de petrolato o espesado con jabón. Si se acumularon materiales corrosivos en las uniones roscadas y no se pueden retirar con solventes, las piezas deben desecharse y reemplazarse.

Pedido de piezas de repuesto

⚠ ADVERTENCIA

RIESGO DE EXPLOSIONES: El reemplazo de componentes puede perjudicar la idoneidad para Clase I, División2.

Las piezas de repuesto típicas se enumeran en la Tabla 5, en la página 59. Debido a la certificación, ciertas piezas de componentes no están disponibles para su reemplazo en el campo. Las unidades con este tipo de daño debe ser reemplazadas totalmente o devueltas a Federal Signal para su servicio. Para pedir piezas de repuesto, contacte al Servicio de Asistencia al Cliente de Federal Signal al 708-534-4790 o al 800-524-3021.

Obtención de servicio de reparación y asistencia técnica

⚠ ADVERTENCIA

RIESGO DE EXPLOSIONES: El reemplazo de componentes puede perjudicar la idoneidad para Clase I, División2.

Los productos devueltos para reparación requieren un formulario de Autorización de devolución. Para obtener un servicio de reparación o asistencia técnica para el producto, llame a Federal Signal al 708-534-4790 o al 800-524-3021.

Para obtener manuales de instrucciones e información sobre productos relacionados, visite: <http://www.fedsig.com>

Tabla 5 Piezas de repuesto

Descripción	Número de pieza
Unidad de la cúpula, ámbar	K8449078-01
Unidad de la cúpula, azul	K8449078-06
Unidad de la cúpula, transparente	K8449078-04
Unidad de la cúpula, verde	K8449078-07
Unidad de la cúpula, rojo	K8449078
Junta	K8449080
Grasa, tubo de 8 oz (227 g)	KR81-05-01
Protección de la cúpula	K8449090
Emisor LED, ámbar	K14700030-A
Emisor LED, azul	K14700030-B
Emisor LED, verde	K14700030-G
Emisor LED, rojo	K14700030-R
Emisor LED, blanco	K14700030-W

Devolución del producto para obtener crédito

Las devoluciones de productos para obtener crédito requieren una autorización de devolución de su distribuidor local antes de devolver el producto a Federal Signal. Contacte a su distribuidor para obtener asistencia.

Un producto está calificado para su devolución a fin de obtener crédito cuando se cumplen las condiciones siguientes:

- El producto puede volver a venderse y se encuentra en su envase original
- El producto no ha sido instalado previamente
- El producto es la revisión actual
- El producto no ha sido reparado previamente
- El producto es un producto estándar
- El producto no es una pieza de servicio

Todas las devoluciones están sujetas a un arancel de reposición de inventario.

Los productos defectuosos devueltos dentro del período de garantía serán reparados o reemplazados a exclusivo criterio de Federal Signal. Los productos defectuosos no incluyen los productos con fallas de la lámpara.

Otras circunstancias no incluidas anteriormente se tratarán según cada caso en particular.



FEDERAL SIGNAL
Sistemas de seguridad

2645 Federal Signal Drive
University Park, Illinois 60484-3167

www.fedsig.com

Atención al cliente 800-344-4634 • +1 708 534-3400

Soporte técnico 800-524-3021 • +1 708 534-3400