



► Models 131ST and 131DST

Starfire® Strobe Lights

Federal Signal's Starfire® strobe warning lights are available in single-flash (131ST) and double-flash (131DST) models.

The base of the light is made of corrosion resistant anodized aluminum. Each Starfire model comes with a standard 1/2-inch NPT pipe mount. An optional surface mount kit can be ordered.

Because of its convenient size and intense light output, the Starfire strobes can be used for multiple applications. Excellent for in-plant use, Models 131ST and 131DST warn of hazardous conditions, mark dangerous areas (either permanently or temporarily) and mount on lift trucks, cranes and other moving devices.

FEATURES

- Available in 12-24VDC, 120VAC and 240VAC
- Five lens colors: Amber, Blue, Clear, Green and Red
- 10,000 hour strobe tube
- Single or double flash strobe options
- 1/2-inch NPT pipe mount
- Indoor/outdoor use
- Conformal coated PCB
- Type 3 enclosure (dome up orientation)
- UL and cUL Listed

MODEL	VOLTAGE	OPERATING CURRENT	FLASH RATE / MINUTE	LIGHT OUTPUT		MOUNT ⁴
				PEAK ¹	ECP ²	
131ST-012-024 *	12-24VDC	2.75-1.25 amps	80	2,000,000 cd	1,000 cd	1/2" NPT Pipe
131ST-120 *	120VAC 50/60Hz	0.60 amps	80	2,000,000 cd	1,000 cd	1/2" NPT Pipe
131ST-240 *	240VAC	0.30 amps	80	2,000,000 cd	1,000 cd	1/2" NPT Pipe
131DST-012-024 *	12-24VDC	3.0-1.9 amps	80 ³	1,000,000 cd	1,200 cd	1/2" NPT Pipe
131DST-120 *	120VAC	0.60 amps	80 ³	1,000,000 cd	1,200 cd	1/2" NPT Pipe
131DST-240 *	240VAC	0.30 amps	80 ³	1,000,000 cd	1,200 cd	1/2" NPT Pipe

*Indicates color: (A) Amber, (B) Blue, (C) Clear, (G) Green or (R) Red

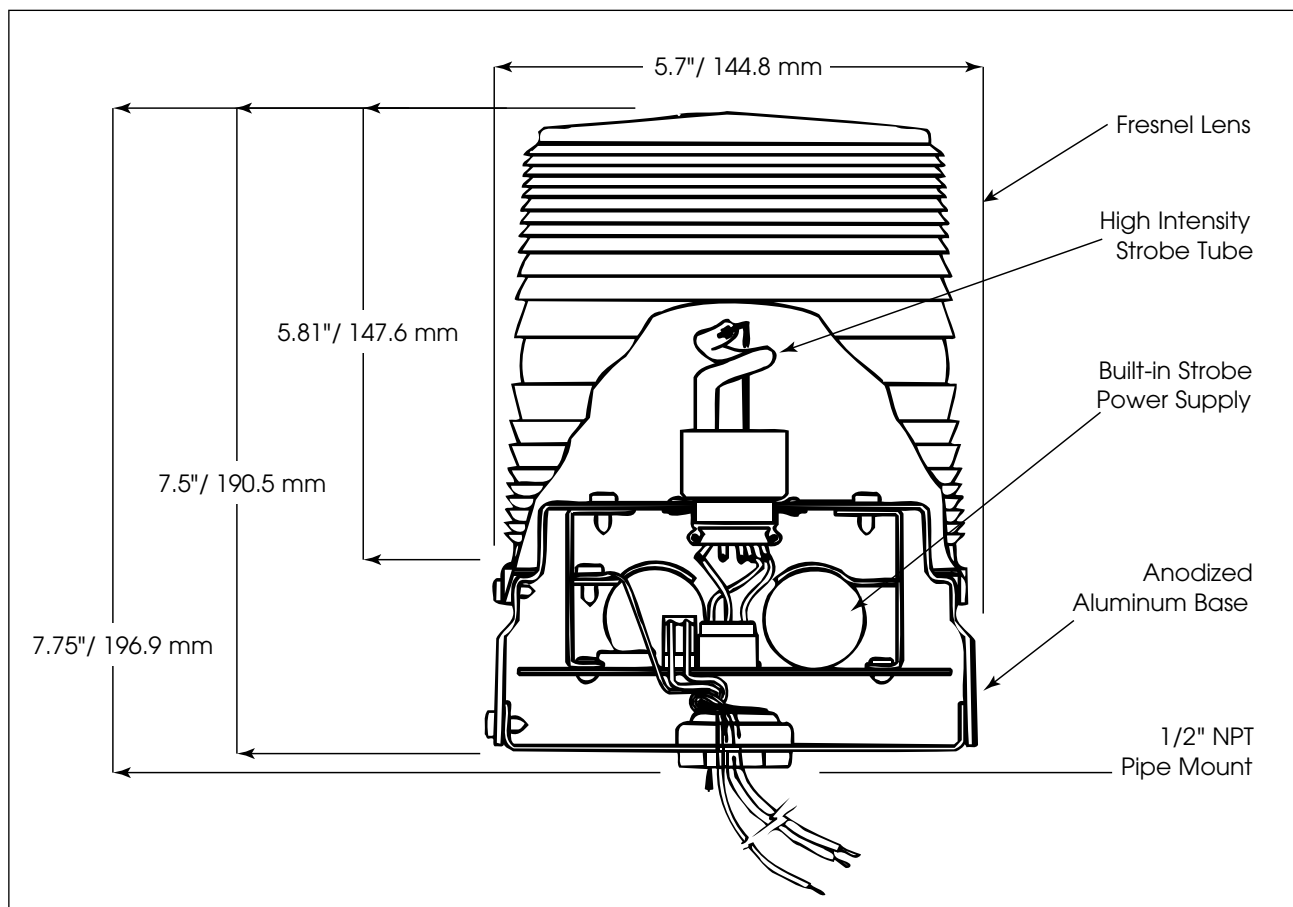
¹ Peak candela is the maximum light intensity generated by a flashing light during its light pulse

² ECP (Effective Candela) is the intensity that would appear to an observer if the light were burning steadily

³ Double Flash

⁴ Surface mount kits available

Starfire® Strobe Lights (131ST and 131DST)



SPECIFICATIONS

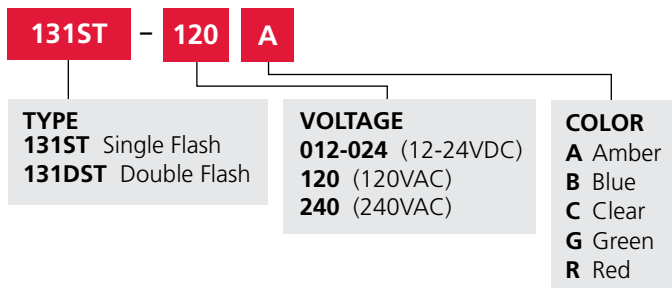
Lamp Life:	10,000 Hours	
Light Source:	Strobe tube	
Operating Temperature:	-31°F to 150°F	-35°C to 66°C
Net Weight:	2.0 lbs	0.91 kg
Shipping Weight:	3.4 lbs	1.54 kg
Height:	7.75"	196.9 mm
Width:	5.7"	144.8 mm

REPLACEMENT PARTS

Description	Part Number
Lens, Amber ¹	K8422B428A-01
Lens, Blue ¹	K8422B428A-02
Lens, Clear ¹	K8422B428A
Lens, Green ¹	K8422B428A-03
Lens, Red ¹	K8422B428A-04
Strobe Tube	K8107178A
Surface Mount Kit	K8444A211B

¹ Includes dome gasket

HOW TO ORDER



OPTIONAL ACCESSORIES

Description	Part Number
Corner Bracket	LCMB2*
Wall Bracket	LWMB2*
Surface Mount	K8444A211B

* Type 3R rated