

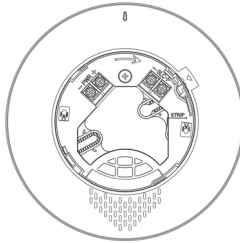
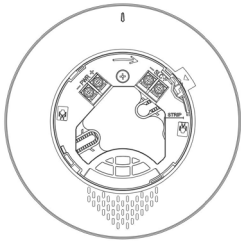


1609 Park 370 Pl, Hazelwood, MO 63042  
www.pottersignal.com



PAD300-SB

PAD300-LFSB



**Contents**

|                   |                    |
|-------------------|--------------------|
| A. Introduction   | E. Locking Feature |
| B. Specifications | F. Testing         |
| C. Mounting       | G. Warranty        |
| D. Wiring         |                    |

**A. Introduction**

The PAD300-SB is an addressable sounder base. The PAD300-LFSB is an addressable low frequency (520Hz) sounder base. The PAD300-SB and PAD300-LFSB do not consume extra addresses on the loop but are assigned a sub-address from the attached detector. They are independent devices that may be programmed as a single station, zone or all call sounders.

The PAD300-SB and PAD300-LFSB can be programmed to produce a variety of sound patterns required by different commercial and residential applications. The available patterns include Constant, ANSI Temp 3, March Code, Double Time, and ANSI Temp 4. Once activated, the sounder will follow the input from the power source to reproduce the programmed pattern and deactivate accordingly.

Each base includes one (1) LED which flashes momentarily in normal and detector alarm conditions. The LED can be turned off using the programming software.

Synchronization requires power connection from a compatible panel. For further information, refer to the control panel installation instructions.

Refer to the company website for the latest revision of this manual.

**B. Specifications**

| PAD300-SB                |                           |
|--------------------------|---------------------------|
| SLC Voltage              | 24 VDC                    |
| SLC Standby Current (*)  | 200 $\mu$ A               |
| PWR Voltage              | 16 – 33 VDC               |
| Standby Current for PWR  | 5.5 mA                    |
| PWR Active Current       | 42 mA                     |
| Sound Pressure Level     | >85 dB/10 ft              |
| Installation Temp Range  | 32°F to 150°F             |
| Operating Humidity Range | 0% - 93% (Non-condensing) |
| Dimension                | $\Phi$ 6.4in              |
| Weight                   | 7.40 oz                   |
| Height                   | 1.57 in                   |

\*Standby current is the current the device consumes when the device is in a non-activated condition and where no communication current is transmitted to the fire alarm control panel.

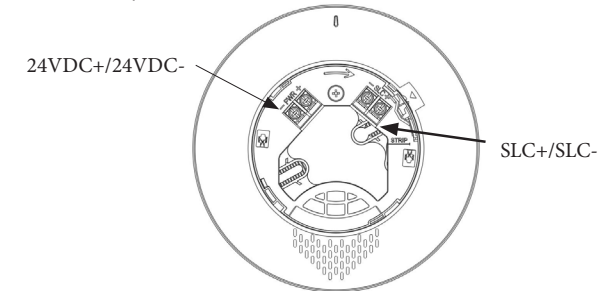
| PAD300-LFSB              |                           |
|--------------------------|---------------------------|
| SLC Voltage              | 24 VDC                    |
| SLC Standby Current (*)  | 200 $\mu$ A               |
| PWR Voltage              | 16 – 33 VDC               |
| Standby Current for PWR  | 6.0 mA                    |
| PWR Active Current       | 155 mA                    |
| Sound Pressure Level     | >85 dB/10 ft              |
| Installation Temp Range  | 32°F to 150°F             |
| Operating Humidity Range | 0% - 93% (Non-condensing) |
| Dimension                | $\Phi$ 6.4 in             |
| Weight                   | 8.47 oz                   |
| Height                   | 1.57 in                   |

**C. Mounting**

**Mounting Options:**

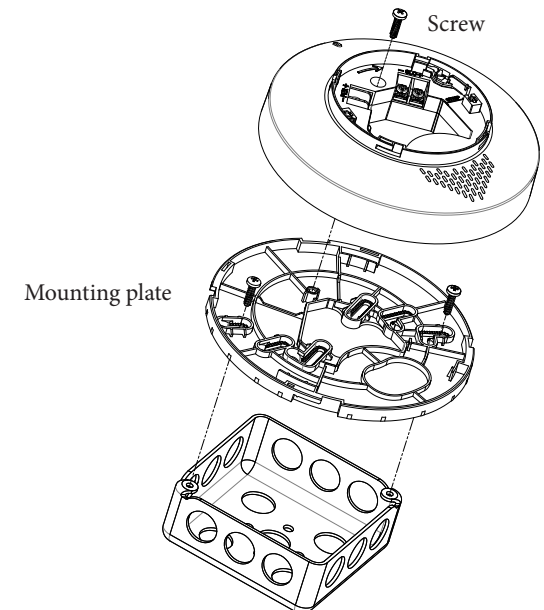
PAD300-SB and PAD300-LFSB can be mounted on a single gang, 3-1/2" octagon, double gang, 4" octagon, 4" square, 50mm c/c, 60mm c/c and 70mm c/c boxes.

**Terminal Layout:**



**Mounting Instructions:**

1. Loosen screws on junction box or leave screws in place.
2. Align keyholes on the mounting plate with screw heads.
3. Slide screws to the slot on the mounting plate.
4. Tighten screws to secure mounting plate.
5. Plug base and turn clockwise to secure in place. Tighten screws to secure base on mounting plate.



**CAUTION** DO NOT PAINT NOR CHANGE FACTORY APPLIED FINISHES ON ANY PART OF THIS PRODUCT.

## D. Wiring

All terminals are power limited and should be wired in accordance with the requirements of NFPA 70 (NEC) and NFPA 72 (National Fire Alarm Code). Failure to follow the wiring diagrams in the following pages will cause the system to not operate as intended.

- Before connecting a device to the SLC loop, take the following precautions to prevent potential damage to the SLC or device.
  - Power to the SLC is removed.
  - Field wiring on device is correctly installed on the base (supplied separately). Beware of the polarity marked next to the terminals. S+ is positive and S- is negative.
  - Use wires between size 22 AWG to 12 AWG.
  - Strip all wires 1/4 inch from their edges shown here:

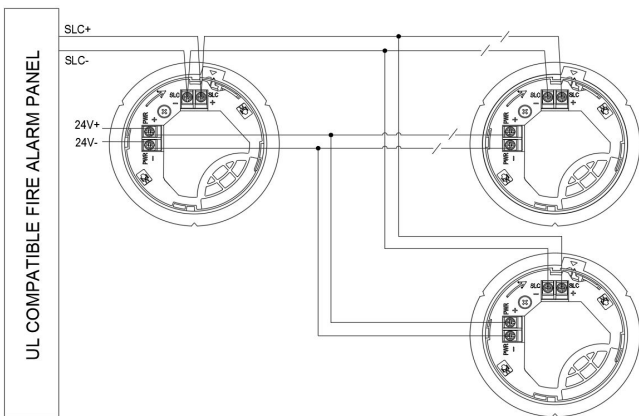


- Field wiring has no open or short circuit.
- Connect PWR to 24VDC+/- . Synchronization requires connection to the NAC or I/O output of a compatible panel.
  - Set the desired address using the DIP switch located on back of the sensor. Refer to addressing instruction in the manual of detector.
  - Plug sensor on base and turn clockwise to secure in place. Refer to section E for detail of the locking feature.

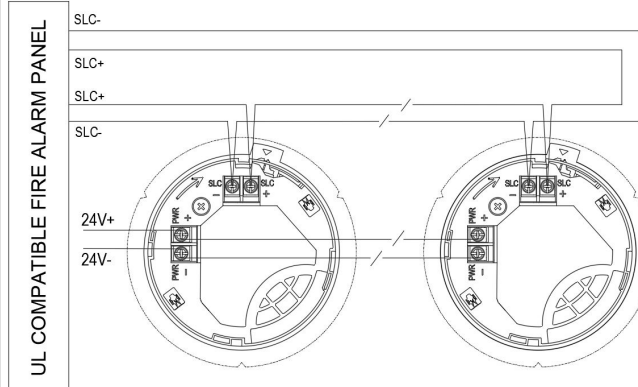
**CAUTION** DO NOT LOOP WIRE AROUND TERMINAL. SEPARATE WIRES TO ALLOW FOR CONNECTION SUPERVISION.

The product may be installed as a Class B, Class A or Class X.

### Class B:



### Class A and X Wiring:

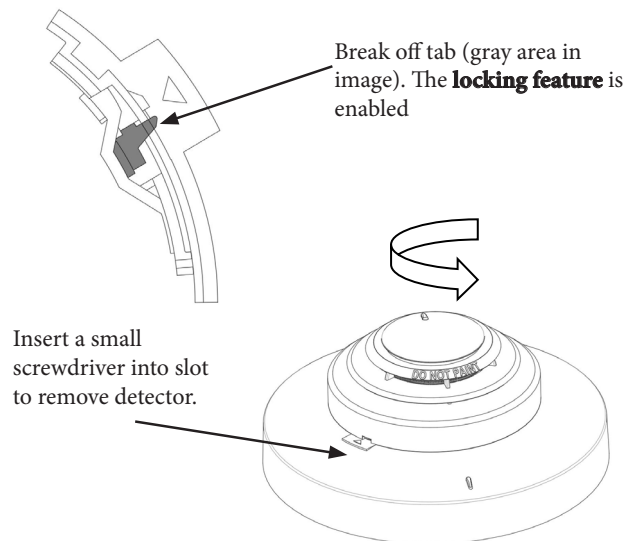


**NOTE:** THE BUILT-IN ISOLATION IN EACH PAD300 SERIES DETECTOR CONFIGURED IN CLASS A WITH THE SOUNDER BASE ALSO MAKES THE INSTALLATION A CLASS X.

**NOTE:** CLASS X REQUIRES A CLOSE NIPPLE OR CONDUIT CONNECTION TO EVERY DEVICE.

## E. Locking Feature

The device includes a tamperproof feature that locks the detector and does not allow removal without the use of a tool.



## F. Testing

It is important to test the sounder after installation and periodically. Please follow the instructions below.

**CAUTION** NOTIFY APPROPRIATE AUTHORITY BEFORE TESTING THE SENSOR. PLACE FIRE PANEL IN WALK TEST MODE BEFORE CONDUCTING THE FOLLOWING TEST. REFER TO THE PANEL INSTALLATION MANUAL FOR DETAIL.

- From keypad menu, access Point Control menu function (Option 5 – System Tools and then Option 2 – Point Control).
- Select Built In SLC (Assuming Sounder Base is connected to Panel's built in SLC Circuit and not SLC expansion card).
- Enter the Device Address of the Detector with Sounder Base.
- Press Enter Button and it should display the device address.
- Press UP Arrow Button to scroll to the Sounder Base. Panel display changes to show the Sounder Base associated with the detector.
- Press Enter Button. Panel Display should read "Enter Key Will Activate Output."
- Press Enter Button again to activate sounder base.

Test synchronization by commanding a group of sounder bases. Units failing the test should be immediately serviced.

## G. Warranty

POTTER warrants that the equipment herein shall conform to said descriptions as to all affirmation of fact and shall be free from defects of manufacture, labeling, and packaging for a period of five (5) years from the invoice date to the original purchaser, provided that representative samples are returned to POTTER for inspection. The product warranty period is stated on the exterior of the product package. Upon a determination by POTTER that a product is not warranted, POTTER shall, at its exclusive option, replace or repair said defective product or parts thereof at its own expense, except that Purchaser shall pay all shipping, insurance, and similar charges incurred in connection with the replacement of the defective product or parts thereof. This Warranty is void in the case of abuse, misuse, abnormal usage, faulty installation, or repair by unauthorized persons, or if for any other reason POTTER determines that said product is not operating properly as a result of causes other than defective manufacture, labeling, or packaging.

Manual Number:  
54035220X\_A

Manual Issue Date:  
07/01/2022