

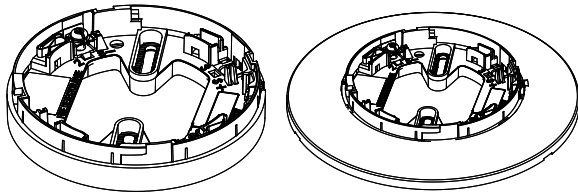


1609 Park 370 Pl, Hazelwood, MO 63042
www.pottersignal.com



PAD300-4DB

PAD300-6DB



Contents

A. Introduction	D. Wiring
B. Specifications	E. Locking Feature
C. Mounting	F. Warranty

A. Introduction

The PAD300-4DB and the PAD300-6DB are mounting bases designed to work specially with the PAD300 series detectors. Compatible detectors include PAD300-PD, PAD300-HD, PAD300-PHD and PAD300-DD.

The PAD300-4DB has a four (4) inches diameter and the PAD300-6DB has a six (6) inches diameter. Both products provide multiple mounting options to accommodate different UL listed junction boxes.

The PAD300-4DB and the PAD300-6DB have a locking feature to allow tamper-proofing to prevent unwanted removal.

Refer to the company website for the latest revision of this manual.

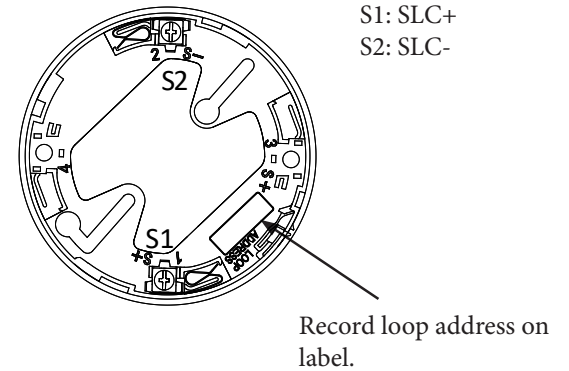
B. Specifications

PAD300-4DB	
Installation Temp Range	32°F to 150°F
Operating Humidity Range	0% - 93% (Non-condensing)
Dimension	Φ3.93 in
Weight	1.34 oz
Height	0.76 in
Acceptable Wire Gauge	22 to 12 AWG
Mounting Options	3-1/2" octagon, 4" square with plaster ring, 50mm c/c, 60mm c/c and 70mm c/c boxes

PAD300-6DB	
Installation Temp Range	32°F to 150°F
Operating Humidity Range	0% - 93% (Non-condensing)
Dimension	Φ 6.3 in
Weight	3.03 oz
Height	0.76 in
Acceptable Wire Gauge	22 to 12 AWG
Mounting Options	3-1/2" octagon, 3-1/2" square, double gang, 4" octagon, 4" square, 50mm c/c, 60mm c/c and 70mm c/c boxes

C. Mounting

Terminal Layout:

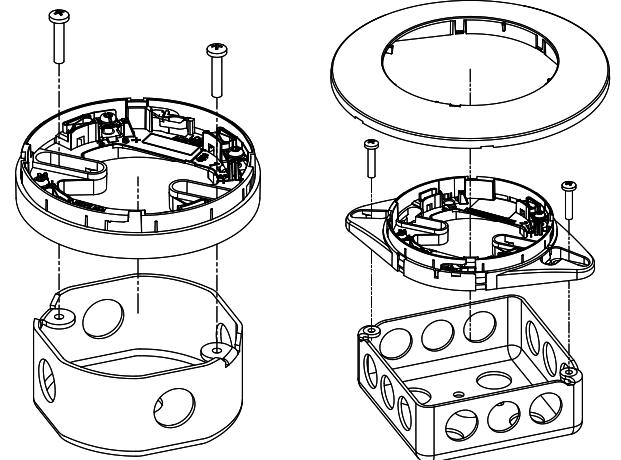


Mounting Instructions:

1. Loosen screws, but not all the way out, from junction box.
2. Align keyholes on the base with screw heads.
3. Slide screw to the slot on the mounting plate.
4. Tighten screw to secure base.
5. Snap trim ring on the base (PAD300-6DB).

PAD300-4DB

PAD300-6DB



D. Wiring

All terminals are power limited and should be wired in accordance with the requirements of NFPA 70 (NEC) and NFPA 72 (National Fire Alarm Code). Failure to follow the wiring diagrams in the following pages will cause the system to not operate as intended.

- Before connecting a device to the SLC loop, take the following precautions to prevent potential damage to the SLC or device.
 - Power to the SLC is removed.
 - Field wiring on device is correctly installed on the base (supplied separately). Beware of the polarity marked next to the terminals. S+ is positive and S- is negative.
 - Use wires between size 22 AWG to 12 AWG.
 - Strip all wires 1/4 inch from their edges shown here:

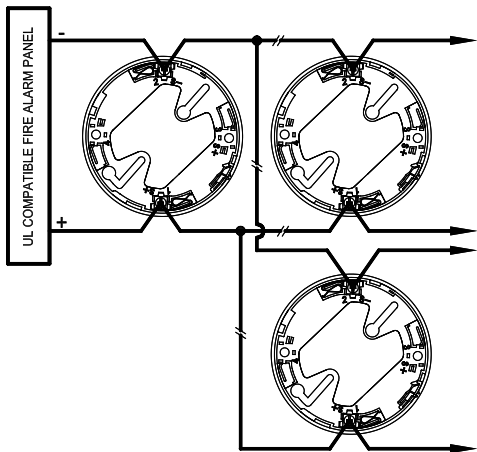


- Field wiring has no open or short circuit.
- Set the desired address using the DIP switch located on back of the sensor. Refer to addressing instruction in the manual of detector.
 - Record address, zone, and the detector type being installed at the at the designated location on the base.
 - Plug sensor on base and turn clockwise to secure in place. Refer to section E for detail of the locking feature.

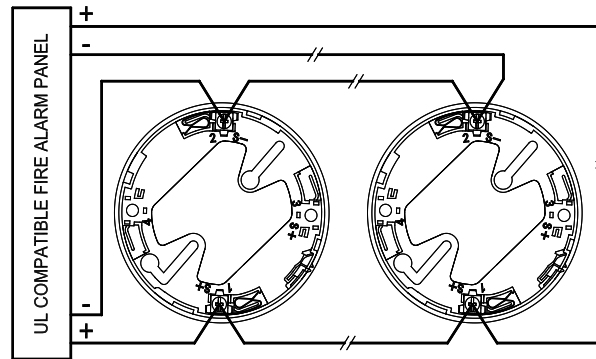
CAUTION DO NOT LOOP WIRE AROUND TERMINAL. SEPARATE WIRES TO ALLOW FOR CONNECTION SUPERVISION.

The product may be installed as a Class B, Class A or Class X.

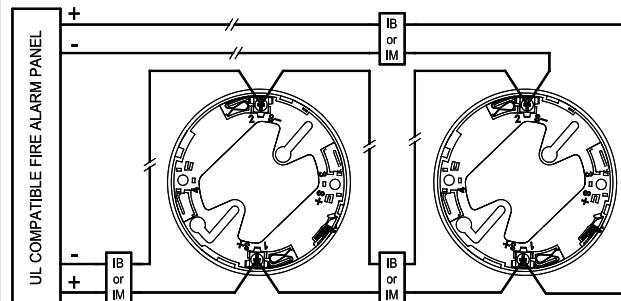
Class B Wiring:



Class A Wiring:



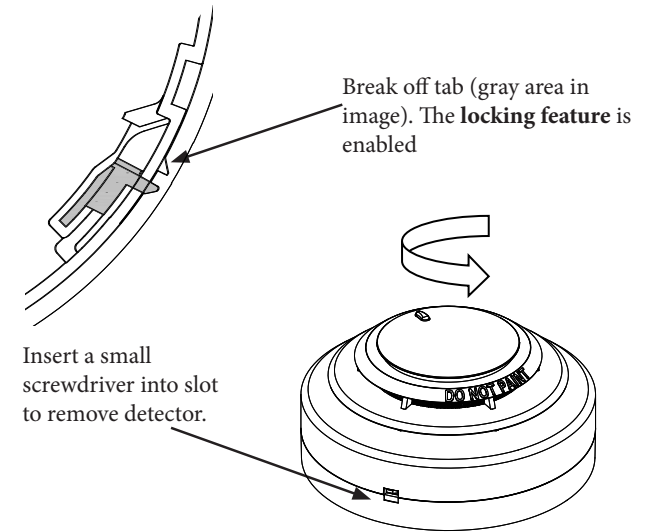
Class X Wiring:



NOTE: CLASS X REQUIRES A CLOSE NIPPLE OR CONDUIT CONNECTION TO EVERY DEVICE.

E. Locking Feature

The device includes a tamperproof feature that locks the detector and does not allow removal without the use of a tool.



F. Warranty

POTTER warrants that the equipment herein shall conform to said descriptions as to all affirmation of fact and shall be free from defects of manufacture, labeling, and packaging for a period of five (5) years from the invoice date to the original purchaser, provided that representative samples are returned to POTTER for inspection. The product warranty period is stated on the exterior of the product package. Upon a determination by POTTER that a product is not as warranted, POTTER shall, at its exclusive option, replace or repair said defective product or parts thereof at its own expense, except that Purchaser shall pay all shipping, insurance, and similar charges incurred in connection with the replacement of the defective product or parts thereof. This Warranty is void in the case of abuse, misuse, abnormal usage, faulty installation, or repair by unauthorized persons, or if for any other reason POTTER determines that said product is not operating properly as a result of causes other than defective manufacture, labeling, or packaging.

Manual Number:
54035214X_A

Manual Issue Date:
07/01/2022