

SRDRST and SRDRKP

Smart Readers
Section 28 13 00



DATA SHEET

Key Features

Unit Interface Capabilities

Model SRDRST - Standard Single Gang: None

Communication Capabilities

Model SRDRKP - Standard Keypad - 10-Key keypad

Mobile Compatibility

Mobile BLE; 125 KHz Proximity; 13.56 MHz Smart

User Feedback

Works with myQ community app for iOS, Android and AppleWatch

Tri-state LED light bar (red, green, amber) and audible beeper

Specifications

Connectivity

Dependent on Door Controller: CAPXLV; CAPXM, CAPXS or CAP2D

Power Supply Voltage

5-16 V DC

(Power Supply not included)

Current

SRDRST - 120 mA average, 170 mA peak

SRDRKP - 145 mA average, 195 mA peak

Wiegand Input Data Format

26 BIT, 30 BIT, 37 BIT (HID), 37 BIT (Transcore),

32 BIT (MiFare) , 36 BIT Proximity, 56 BIT Smart

Mounting Options

Single Gang, Surface Mount

Operating Temperature

UL™ tested -35° to 66°C and EN -40° to 70°C and 95% humidity

Anti-Tamper Notification

Accelerometer-based tamper detection

Warranty

1 year

Construction

Country of Origin

United States

Material

Reader electronics are conformally coated in a silicone water resistant coating

Regulatory

UL294 Compliant

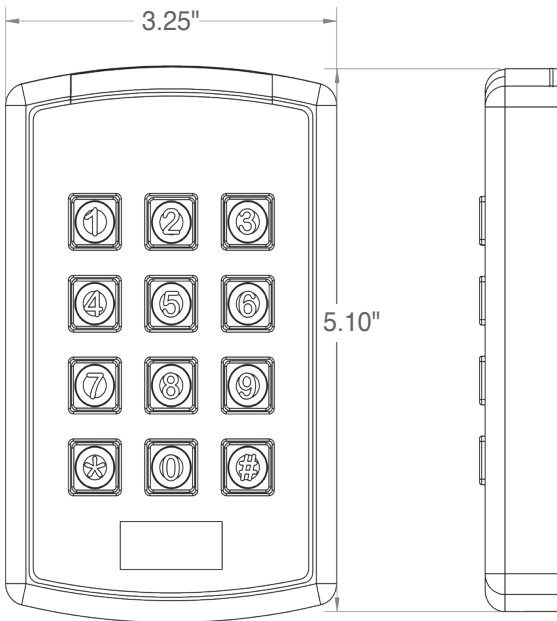
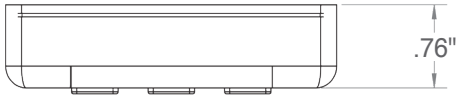
LiftMaster

SRDRST and SRDRKP

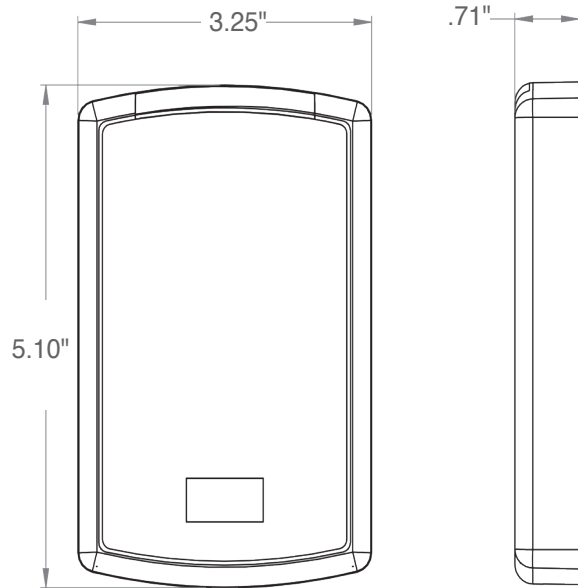
DATA SHEET

Smart Readers
Section 28 13 00

Dimensions



SRDRKP



SRDRST

Cable Length Recommendations

Weigand	
Feet	AWG
200	22
300	20
500	18