

# SRDRST and SRDRKP

Smart Readers  
Section 28 13 00



**DATA SHEET**

## Key Features

Unit Interface Capabilities

Communication Capabilities

Mobile Compatibility

User Feedback

Model SRDRST - Standard Single Gang: None

Model SRDRKP - Standard Keypad - 10-Key keypad

Mobile BLE; 125 KHz Proximity; 13.56 MHz Smart

Works with myQ community app for iOS, Android and AppleWatch

Tri-state LED light bar (red, green, amber) and audible beeper

## Specifications

Connectivity

Power Supply Voltage

(Power Supply not included)

Current

Dependent on Door Controller: CAPXLV; CAPXM, CAPXS or CAP2D

5-16 V DC

SRDRST - 120 mA average, 170 mA peak

SRDRKP - 145 mA average, 195 mA peak

26 BIT, 30 BIT, 37 BIT (HID), 37 BIT (Transcore),

32 BIT (MiFare) , 36 BIT Proximity, 56 BIT Smart

Single Gang, Surface Mount

Mounting Options

Operating Temperature

Anti-Tamper Notification

Warranty

UL™ tested -35° to 66°C and EN -40° to 70°C and 95% humidity

Accelerometer-based tamper detection

1 year

## Construction

Country of Origin

Material

Regulatory

United States

Reader electronics are conformally coated in a silicone water resistant coating

UL294 Compliant

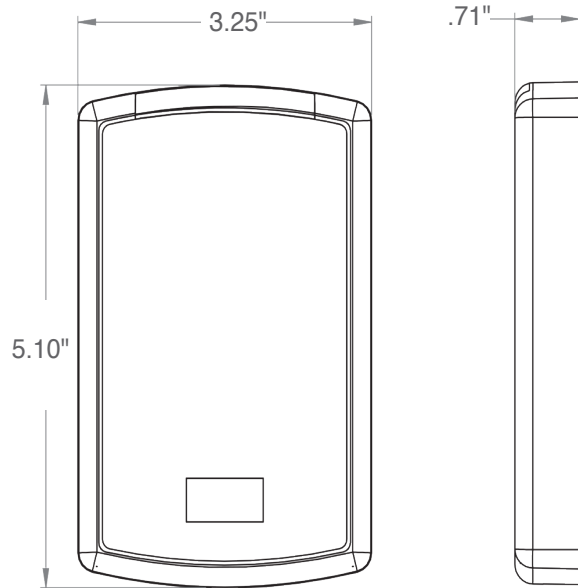
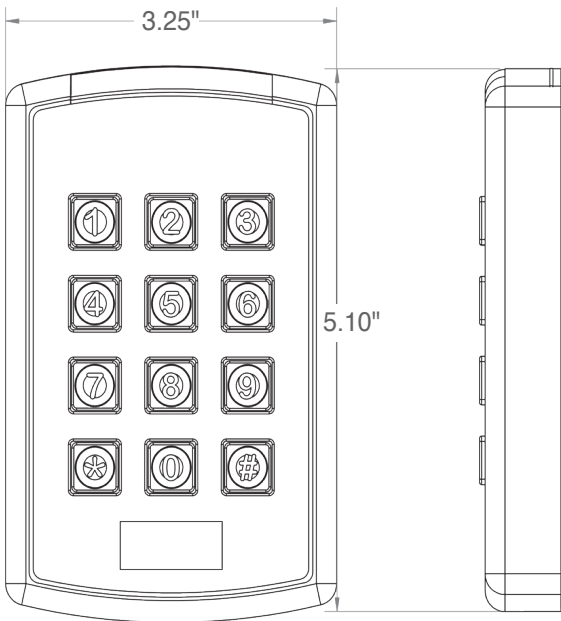
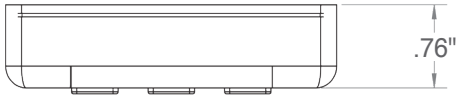
**LiftMaster**

# SRDRST and SRDRKP

**DATA SHEET**

Smart Readers  
Section 28 13 00

## Dimensions



**SRDRKP** **SRDRST**

## Cable Length Recommendations

Weigand	
Feet	AWG
200	22
300	20
500	18

© 2022 The Chamberlain Group LLC. All Rights Reserved. myQ®, the myQ® logo, myQ® Community, LiftMaster, the LiftMaster logo, are registered trademarks of the Chamberlain Group LLC. LiftMaster.com  
LMACENDSSR 11/22