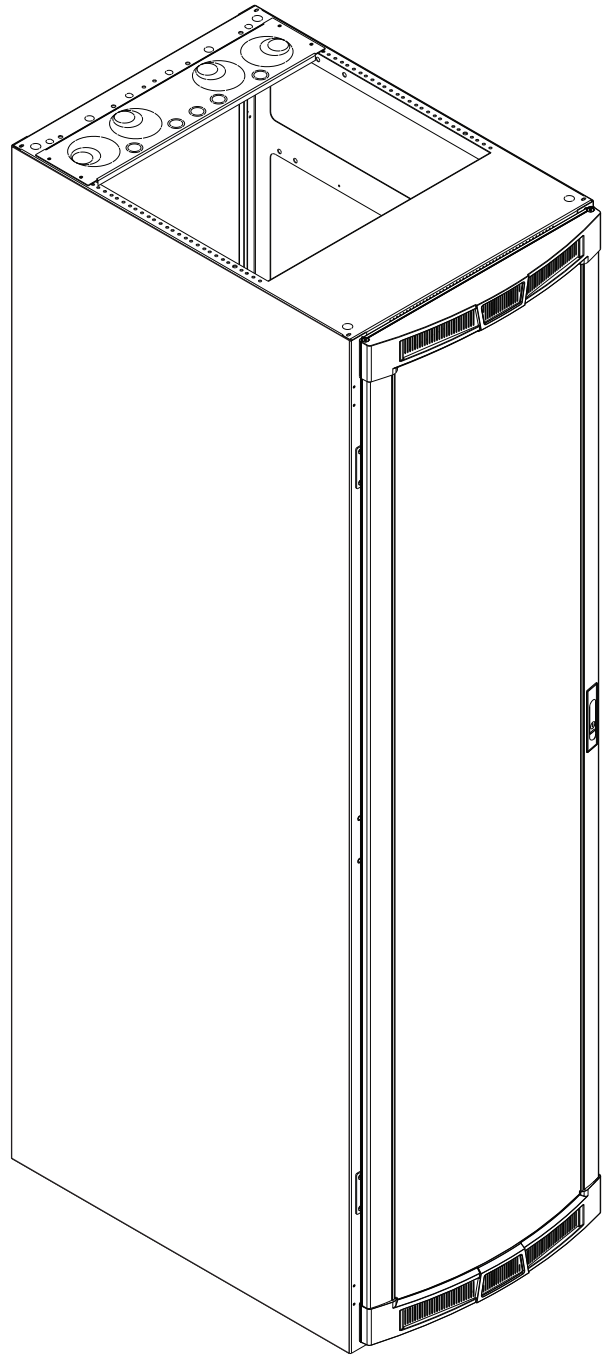
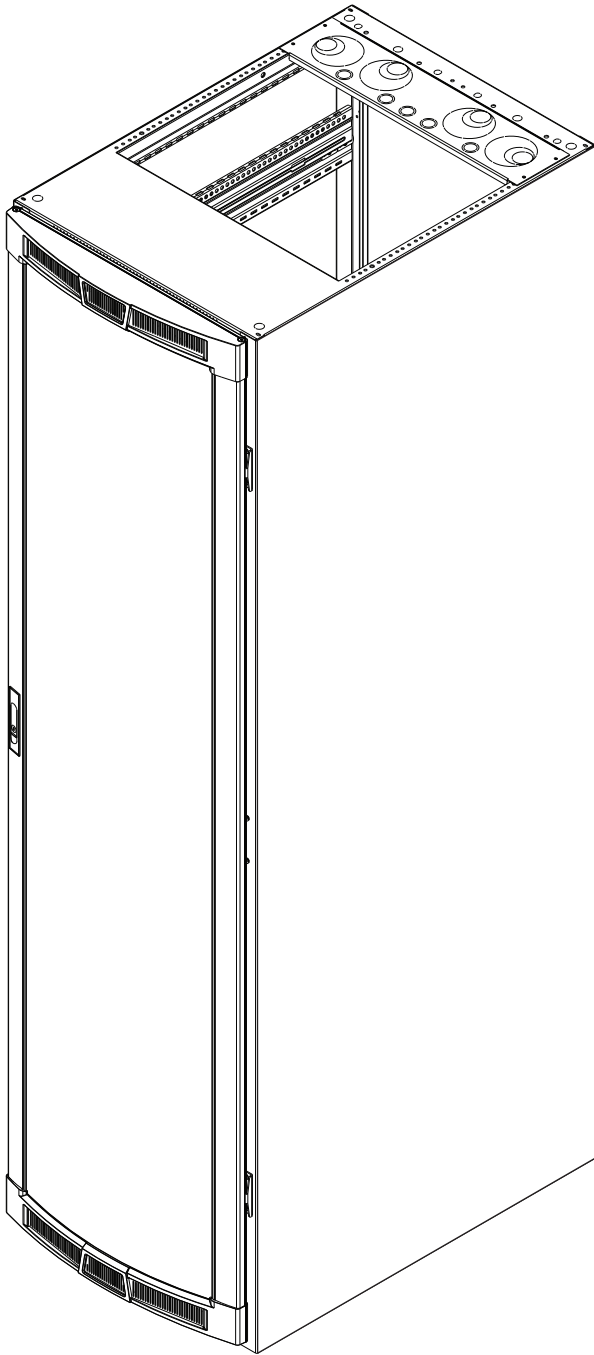


INSTRUCTION SHEET
ARC (CURVED)
FRONT DOOR OPTION



THANK YOU

Thank you for purchasing the Arc (curved) front door. Please read these instructions thoroughly before installing or assembling this product.



Middle Atlantic Products

I-00477

Rev A

IMPORTANT SAFETY INSTRUCTIONS

- Read these instructions.
- Heed all warnings.
- Clean only with dry cloth.
- Keep these instructions.
- Follow all instructions.
- Only use attachments/accessories specified by the manufacturer.



WARNING: A warning alerts you to a situation that could result in serious personal injury or death.



WARNING: Middle Atlantic Products, Inc. electrical systems conform to and should be properly grounded in compliance with requirements of the current National Electrical Code or codes administered by local authorities. All electrical products may present a possible shock or fire hazard if improperly installed or used. Middle Atlantic Products, Inc. electrical products may bear the mark of a Nationally Recognized Testing Laboratory (NRTL) and should be installed in conformance with current local and/or the National Electrical Code.



WARNING: Failure to read, understand and follow the following information can result in serious personal injury, damage to the equipment or voiding of the warranty. It is the responsibility of the Installer/User to ensure that this product is loaded according to specifications.

INSTRUCTIONS IMPORTANTES SUR LA SÉCURITÉ

- Lire ces instructions.
- Respectez tous les avertissements.
- Nettoyer uniquement avec un chiffon sec.
- Conservez ces instructions.
- Suivez toutes les instructions.
- N'utilisez que des accessoires spécifiés par le fabricant.



AVERTISSEMENT: Un avertissement vous avertit d'une situation pouvant entraîner des blessures graves ou la mort.

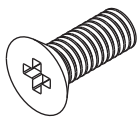


AVERTISSEMENT: Middle Atlantic Products, Inc. électrique systèmes conformes à devraient être mis à la terre dans conformité avec les exigences de la National actuelle ou comme les codes électrique administré par les autorités locales autorités. Tous les produits électriques peuvent présenter un choc ou un incendie danger si elle est mal installé ou utilisé. Middle Atlantic Products, Inc. produits électriques peuvent porter la marque d'un Nationally Recognized Testing Laboratory (NRTL) et doit être installé en conformité avec courant local et/ou le National Electrical Code.



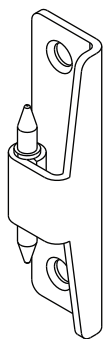
AVERTISSEMENT: Refus de lire, comprendre et suivre la renseignements suivants peut traduire par de graves blessures, des dommages à l'équipement ou invalider la garantie. Il est la responsabilité de l'installateur / utilisateur de s'assurer que ce produit est chargé conformément aux spécifications.

SUPPLIED COMPONENTS AND HARDWARE



(7x) 10-32 x 1/2"
Flat Head Screw

A



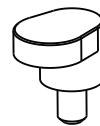
(2x) Male Hinge

B



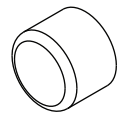
(2x) Door Strike

C



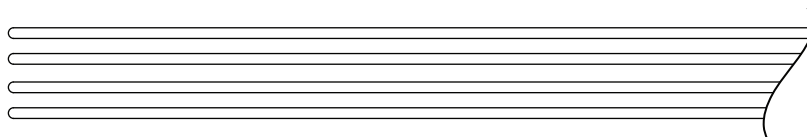
Anti-Lift Door Pin
(Red)

D



(2x)
Bumper

E



(4x) Door Accent Trim Strips
(Green, Blue, Red, and Black)

F

NOTE: Additional hardware is included that may not be required for your installation.

REQUIRED TOOLS

#2 Phillips Head Screwdriver
or Power Driver with Bit



WARNING: Use tools with caution and follow all necessary safety protocols.

AVERTISSEMENT: Utiliser des outils avec prudence et suivre tous les protocoles de sécurité nécessaires.

ROTATING THE DOOR LOCK

NOTE: Doors come pre-assembled with a right-hand swing. You can change the swing direction by rotating the lock.

1. Use Phillips screwdriver to remove the (4x) screws, and then the cam and latch as shown. (**FIGURE A**)

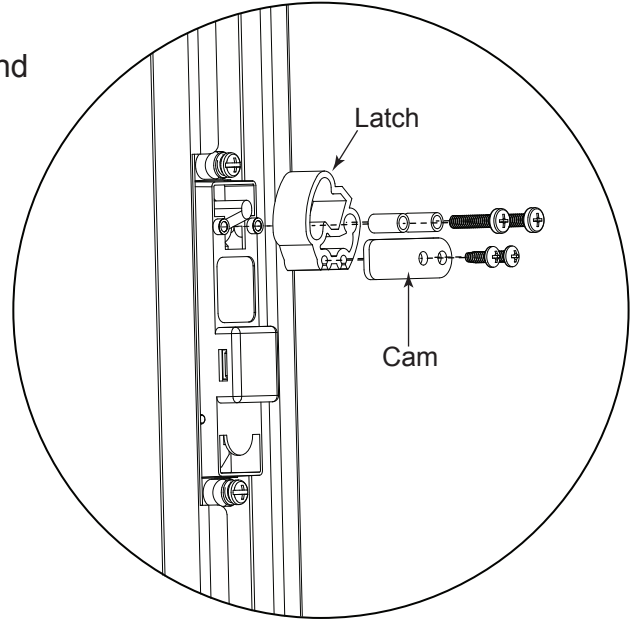


FIGURE A

2. Remove the (2x) handle screws, and the handle before rotating the door. (**FIGURE B**)

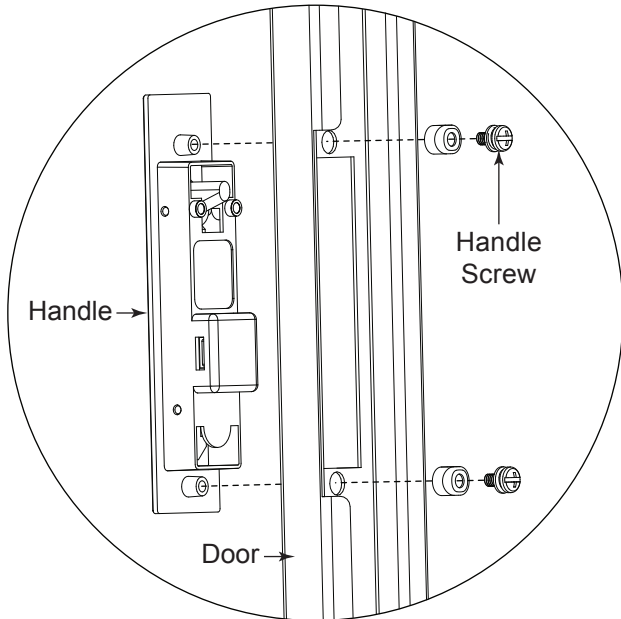


FIGURE B

3. Rotate the door, and then reinstall the handle, cam, and latch. (**FIGURE C**)

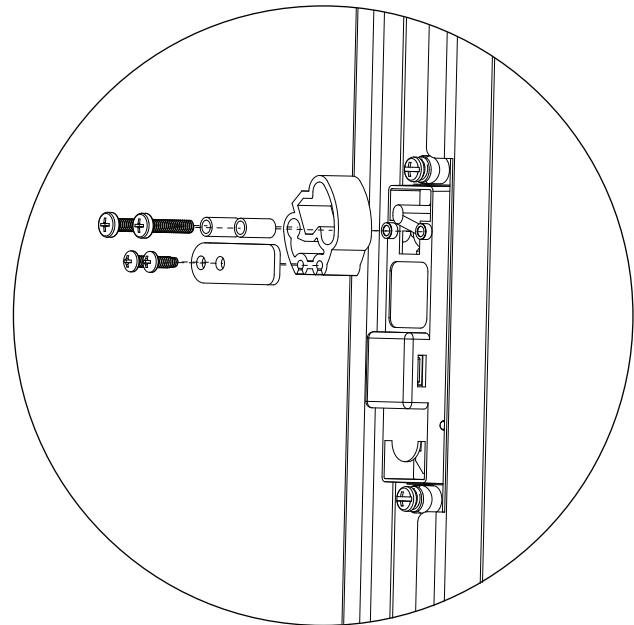
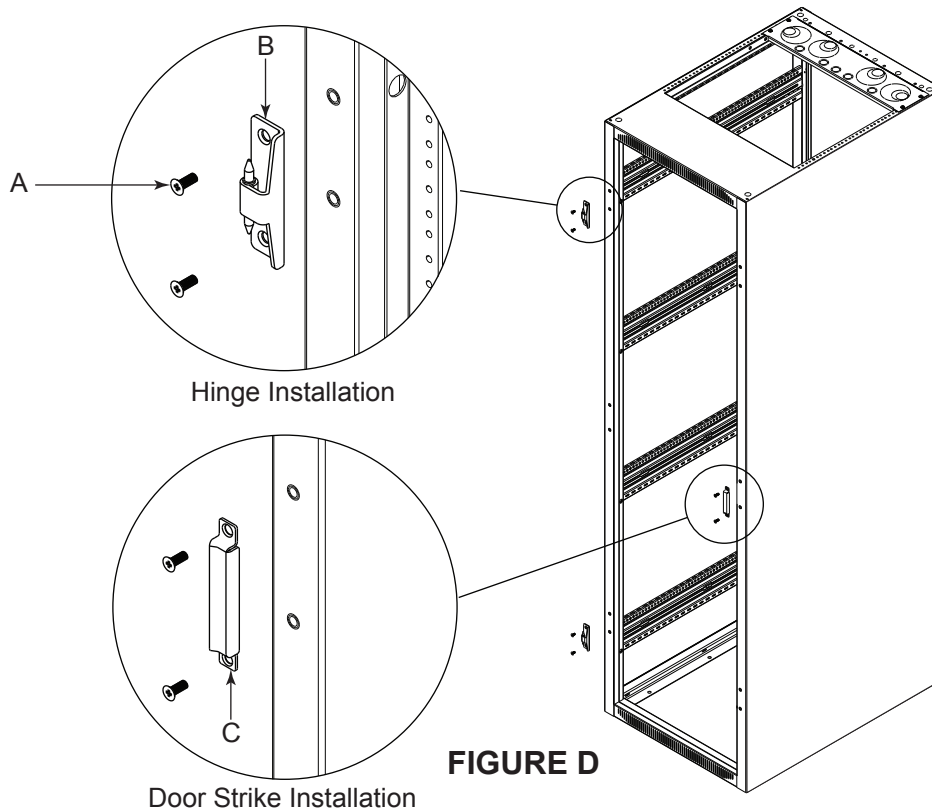


FIGURE C

INSTALLING THE HINGES AND DOOR STRIKE

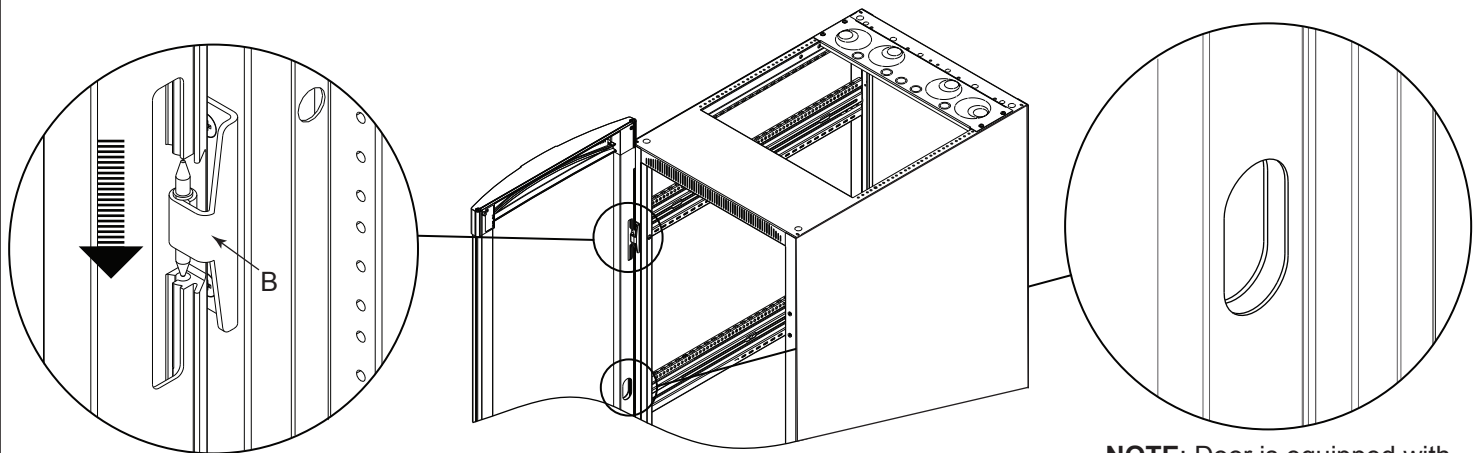
NOTE: The hinges and door strike may be installed on either side of the enclosure depending on desired swing direction.

1. Use Phillips screwdriver and (4x) 10-32 screws (A) to attach both male hinges (B) to the enclosure as shown. **(FIGURE D)**
2. Use Phillips screwdriver and (2x) 10-32 screws (A) to attach the door strike (C) to the enclosure.



HANGING THE DOOR

- Install the door by hanging it onto the hinge pins as shown. **(FIGURE E)**



NOTE: Door is equipped with inside pocket for easy hanging.

INSTALLING THE ANTI-LIFT DOOR PIN

- Install the red anti-lift door pin (D) on the inside of the door beneath top hinge as shown. (FIGURE F)

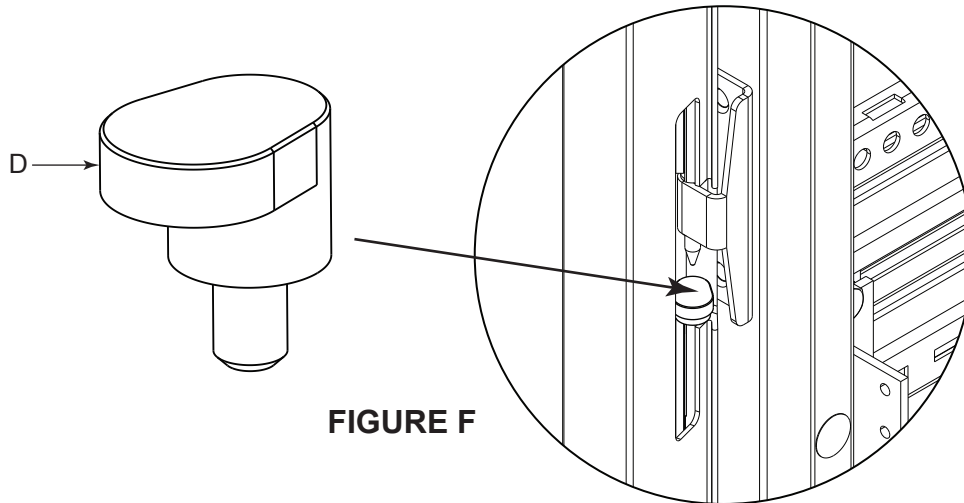


FIGURE F

INSTALLING THE DOOR BUMPERS

- Install the (2x) door bumpers (E) on the inside (lock side) of the top and bottom corners of the door as shown. (FIGURE G)

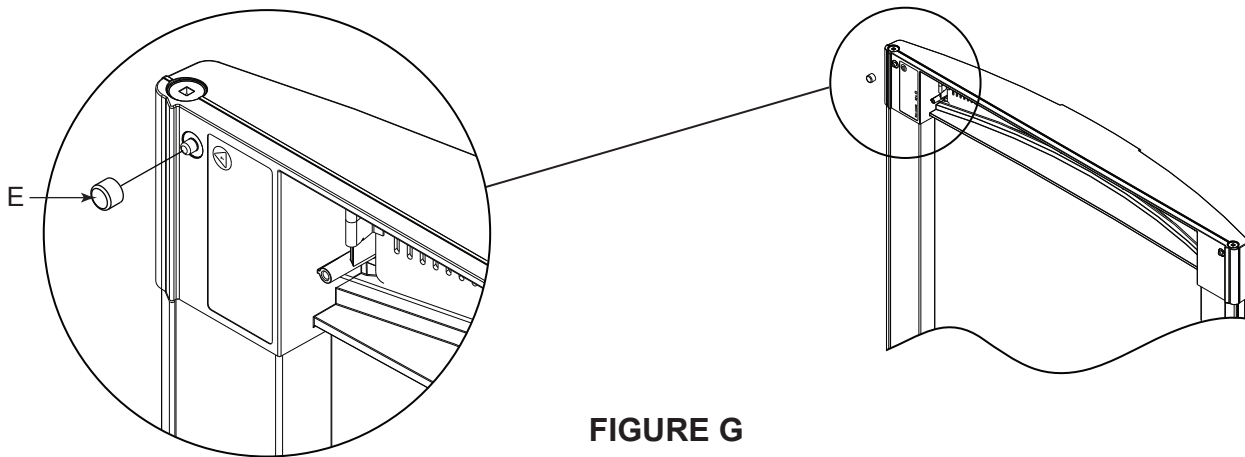


FIGURE G

DOOR PANEL CUSTOMIZATION OPTIONS

Top and bottom panels can be removed for customization by removing the clips (2x per panel) as shown. (FIGURE H)

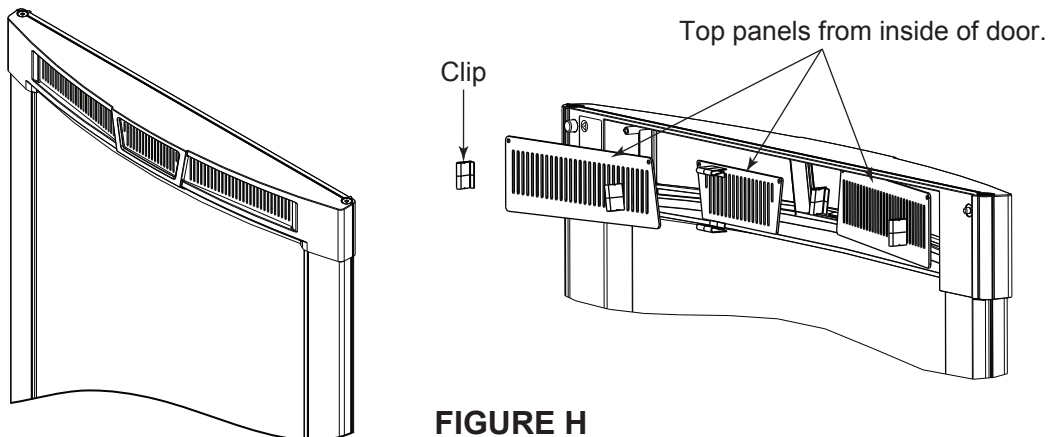


FIGURE H

DOOR ACCENT TRIM OPTIONS

The factory-installed door accent trim strip can be replaced with one of the color accent trim strip options (F), if desired.

1. Carefully pry the factory-installed trim strip out of the door groove.
2. Install desired color accent trim strip (F) by inserting one end into the undercut of the top. Slowly press into the door groove while holding trim in position.

NOTE: Do not stretch the trim strip (F) while pressing it into the groove. Stretching the strip may cause unwanted sliding.

3. When the bottom of the door is reached, adjust remaining length of strip as needed and insert into undercut. (FIGURE J)

NOTE: Undercut is located where groove meets top (or bottom) cap.

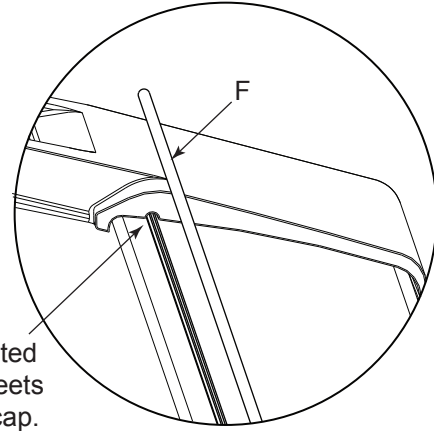


FIGURE J

WARRANTY

For warranty information, refer to <http://www.middleatlantic.com/company/about-us.aspx#warranty>

Corporate Headquarters

Corporate Voice: 973-839-1011 - Fax: 973-839-1976 / International Voice: +1 973-839-8821 -
Fax: +1 973-839-4982
www.middleatlantic.com - info@middleatlantic.com

Middle Atlantic Canada

Voice: 613-836-2501 - Fax: 613-836-2690 / ca.middleatlantic.com -
customerservicecanada@middleatlantic.ca

Factory Distribution

USA: NJ - CA - IL Canada: ON

At Middle Atlantic Products we are always listening. Your comments are welcome.

Middle Atlantic Products is an ISO 9001 and ISO 14001 Registered Company.