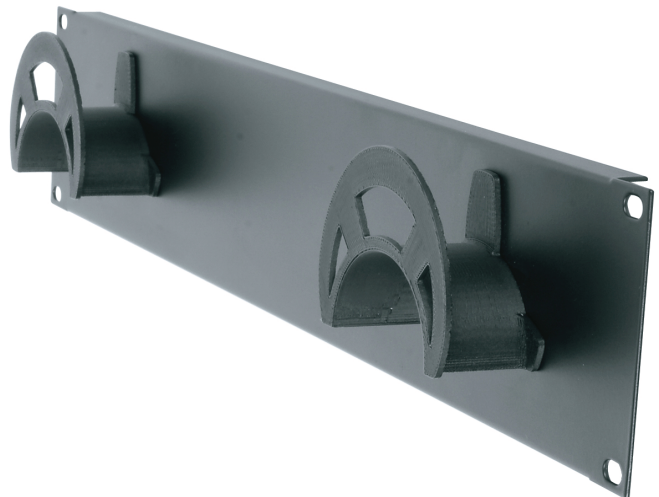


INSTRUCTION SHEET

PCS SERIES

FIBER\CABLE MANAGEMENT SPOOL



THANK YOU

Thank you for purchasing the PCS Series Fiber/Cabling Management Spool. Please read these instructions thoroughly before installing this product.

PRODUCT FEATURES

- Manage excess fiber or copper cable slack within a rack
- 2.5" Diameter provides for proper bend radius for cables
- Available in 1-3/8" & 3" depths
- Sold pre-mounted to a panel or individually in packs of 4 and 10

SPOOL DIMENSIONS

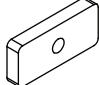
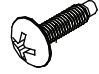

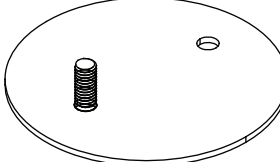


INSTALLATION OPTIONS INDEX

PANEL	PCS-X-2H	PAGE 3
INDIVIDUAL SPOOLS - CREATE ONE LARGE SPOOL	---	PAGE 3
INDIVIDUAL SPOOLS - MOUNT ON VERTICAL LACE LACE-XX-OP, LACE-XX-OWP, LACE-XX-LP and LACE Series	PCS-X-4	PAGE 4
INDIVIDUAL SPOOLS - MOUNT ON VERTICAL CABLE DUCT	PCS-X-4	PAGE 4
INDIVIDUAL SPOOLS - MOUNT TO RACKRAIL BRACKET	PCS-X-4	PAGE 5

SUPPLIED HARDWARE

- 1) PANEL: The Panel does not include a separate hardware kit - the spools are pre-mounted;
- 2) INDIVIDUAL SPOOLS:

<u>4 PACK KIT (91-00235)</u>	<u>10 PACK KIT (91-00236)</u>		
<u>QTY</u>	<u>QTY</u>		
4	10	Oval Nuts	
4	10	10-32 Panhead Philips Screws	
2	—	Flange Nuts	
2	—	PCS Mounting Bracket	

PCS-X2-H

PANEL

NOTE: Spools are pre-installed to the panel.

Spools have the ability to rotate for optimal use with two panels. (FIGURE A)

There are two (2) additional mounting locations for a total of four (4). (FIGURE B)

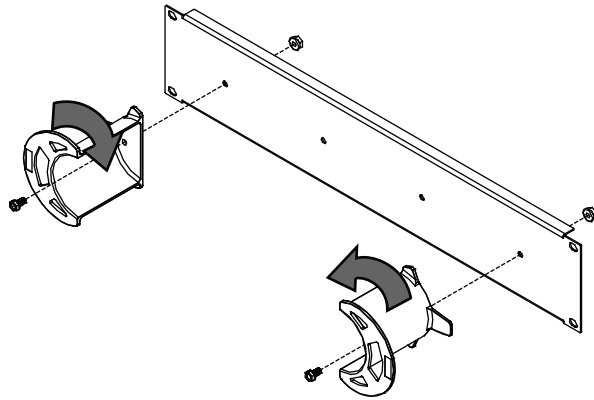


FIGURE A

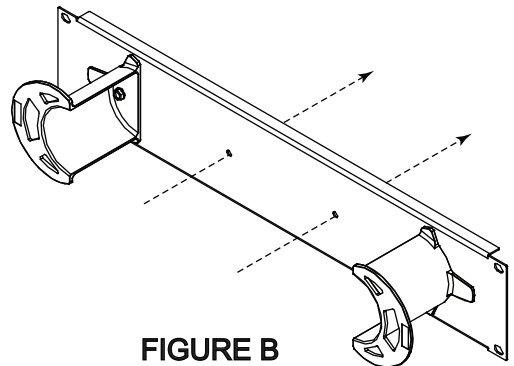


FIGURE B

PCS MOUNTING BRACKET INSTALLATION

(CREATE ONE LARGE SPOOL)

Use the circular PCS Mounting Bracket to mount two (2) spools together to form one (1) large circular spool as shown. (FIGURE C)

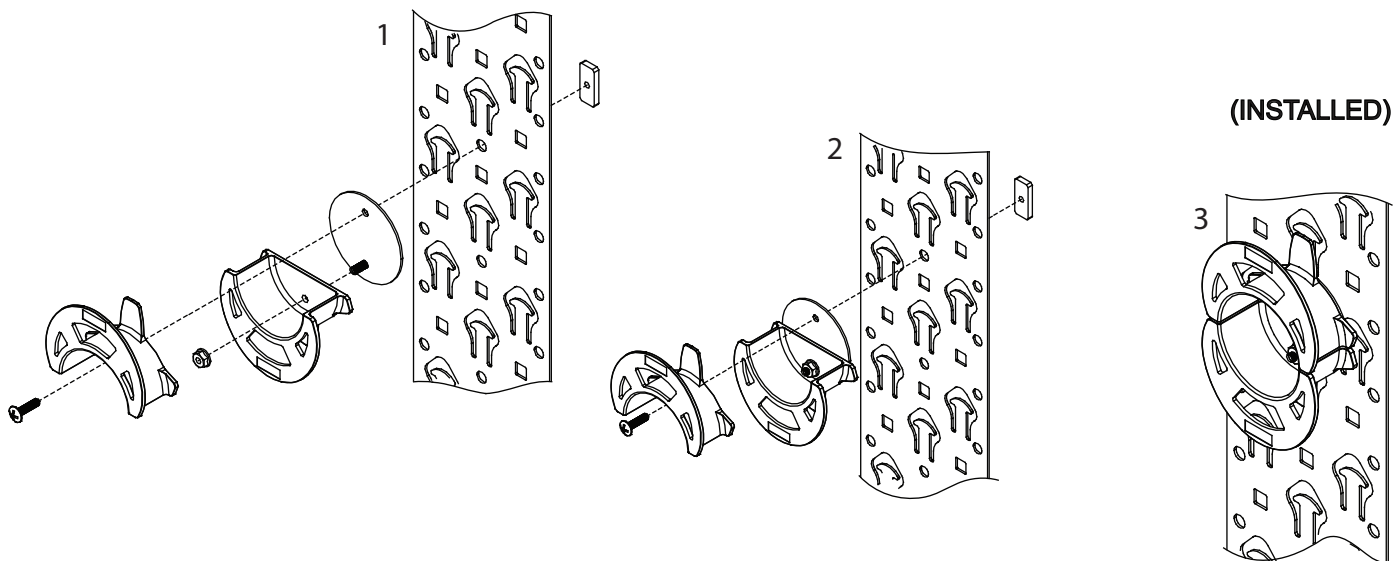


FIGURE C

PCS-X-4

MOUNTING THE INDIVIDUAL SPOOL(S) - VERTICAL LACE SERIES

NOTE: Includes LACE-XX-OP, LACE-XX-OWP, LACE-XX-LP and LACE Series

1) Mount the spool to the lace bar using the supplied hardware as shown. (FIGURE D)

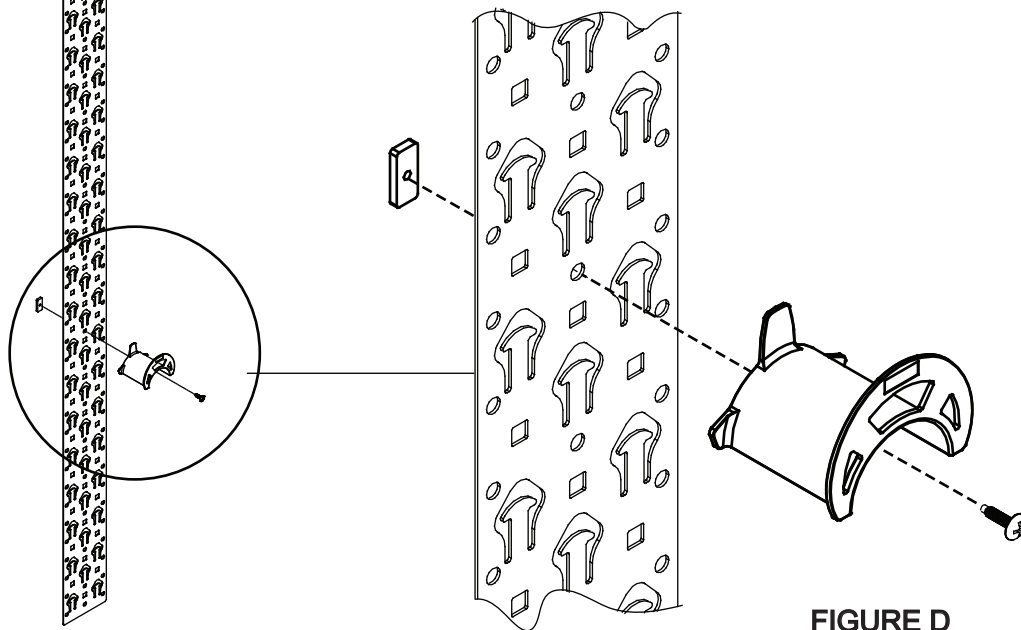


FIGURE D

PCS-X-4

MOUNTING THE INDIVIDUAL SPOOL(S) - VERTICAL CABLE DUCT

NOTE: Applies to all vertical cable ducts from Middle Atlantic

1) Install the spool(s) using the supplied hardware as shown. (FIGURE E)

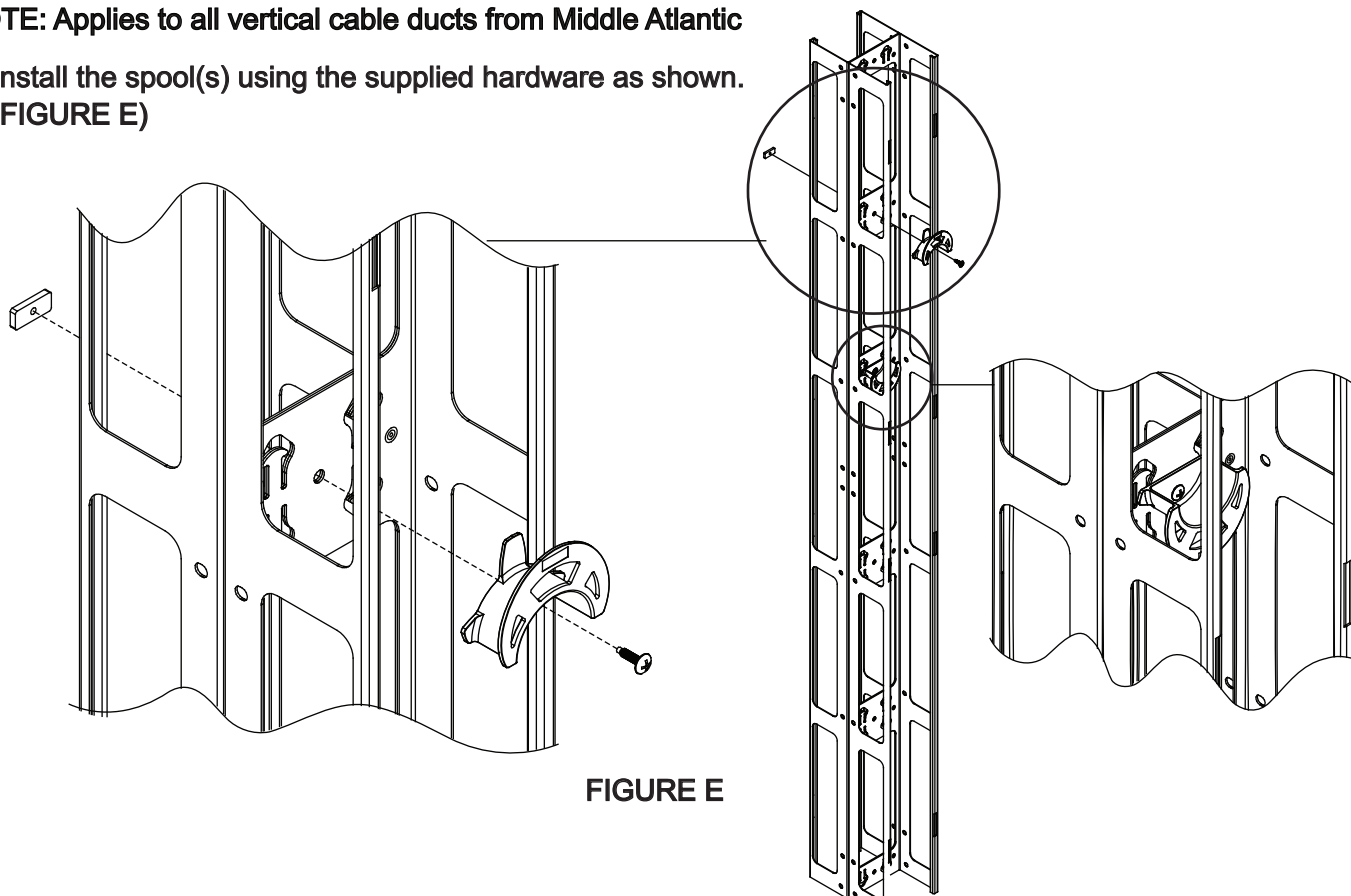


FIGURE E

PCS-X-4

MOUNTING THE INDIVIDUAL SPOOL(S) - RACKRAIL BRACKET

- 1) Install the spool(s) using the supplied hardware as shown.
(FIGURE F)

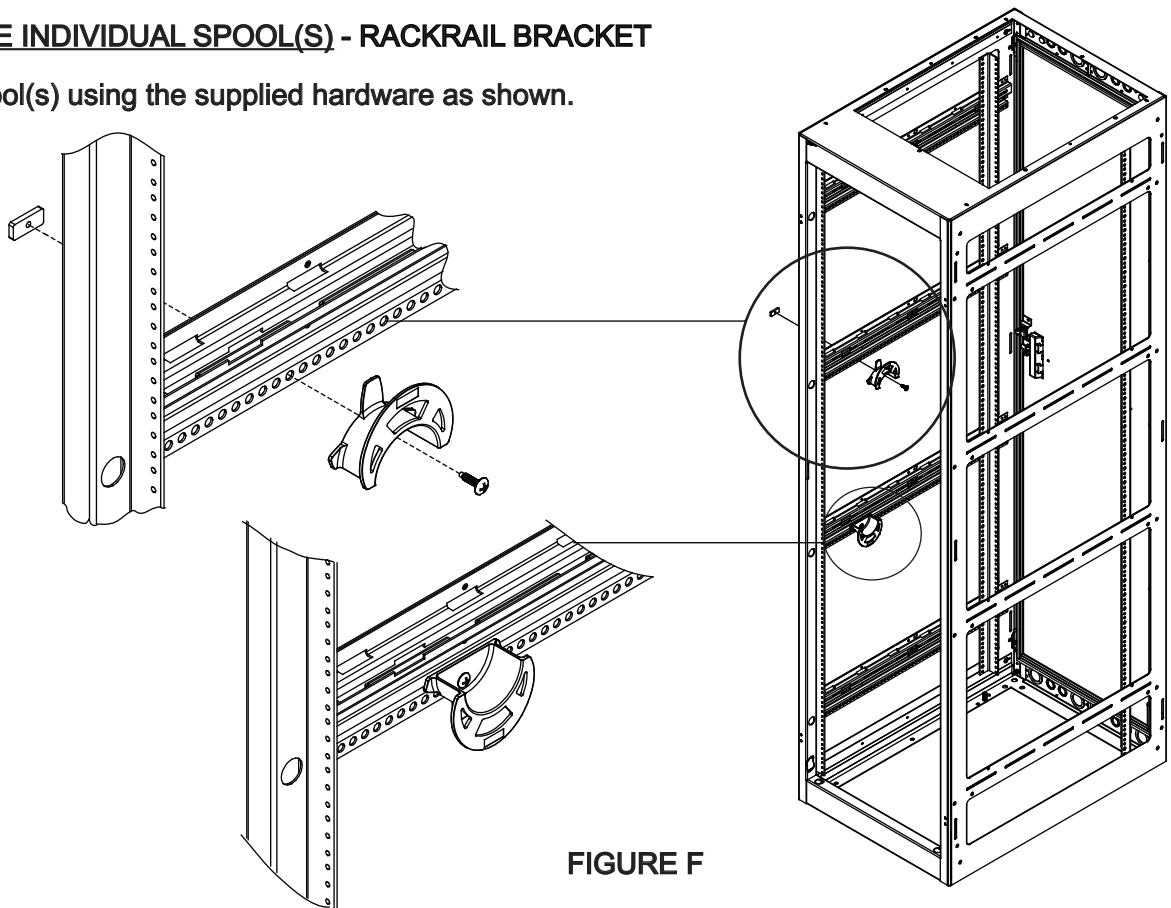


FIGURE F

PART NUMBERS

SPOOLS MOUNTED TO PANEL

PCS-1-2H 1-3/8" Deep Spool, 2 Space Panel
PCS-3-2H 3" Deep Spool, 2 Space Panel

INDIVIDUAL SPOOLS

4 PACKS

PCS-1-4 1-3/8" Deep Spool, 4 pieces
PCS-3-4 3" Deep Spool, 4 pieces



Middle Atlantic Products

what great systems are built on™

middleatlantic.com ■ 800.266.7225

WARRANTY

Middle Atlantic Products, Inc. (the "Company") warrants the Plastic/Fiber Cable Management Spools to be free from defects in material or workmanship under normal use and conditions for the lifetime of the product.

The Company's entire liability to the purchaser, and the purchaser's (or any other party's) sole and exclusive remedy, under this warranty shall be limited, at the Company's option, to either (a) return of and refund of the price paid for, or (b) repair or replacement at the Company's factory of the products purchased, or any part or parts thereof, which the Company has determined to be defective after inspection thereof at the Company's factory. This warranty does not cover damage due to acts of God, accident, misuse, abuse or negligence by parties other than the Company, or any modification or alteration of the products. In addition, this warranty does not cover damage due to improper handling, assembly, installation or maintenance.

THIS WARRANTY IS IN LIEU OF ALL OTHER WARRANTIES OF ANY KIND, EITHER EXPRESSED OR IMPLIED, INCLUDING, BUT NOT LIMITED TO, IMPLIED WARRANTIES OF MERCHANTABILITY AND FITNESS FOR A PARTICULAR PURPOSE.

TO THE MAXIMUM EXTENT PERMITTED BY APPLICABLE LAW, IN NO EVENT SHALL THE COMPANY BE LIABLE FOR ANY SPECIAL, INCIDENTAL, INDIRECT, OR CONSEQUENTIAL DAMAGES WHATSOEVER (INCLUDING, WITHOUT LIMITATION, DAMAGES FOR LOSS OF BUSINESS PROFITS, BUSINESS INTERRUPTION OR ANY OTHER PECUNIARY LOSS) ARISING OUT OF THE USE OF THE PRODUCTS PURCHASED, EVEN IF THE COMPANY HAS BEEN ADVISED OF THE POSSIBILITY OF SUCH DAMAGES. THE COMPANY'S LIABILITY TO THE PURCHASER (OR ANY OTHER PARTY) HEREUNDER, IF ANY, SHALL IN NO EVENT EXCEED THE PURCHASE PRICE OF THE PRODUCTS PAID TO THE COMPANY.

Corporate Headquarters

Corporate Voice 973-839-1011 - Fax 973-839-1976 / International Voice +1 973-839-8821 - Fax +1 973-839-4982
middleatlantic.com - info@middleatlantic.com

Middle Atlantic Canada

Voice 613-836-2501 - Fax 613-836-2690 / middleatlantic.ca - contactcanada@middleatlantic.com

Factory Distribution

USA: NJ - CA - IL Canada: ON - BC

At Middle Atlantic Products we are always listening. Your comments are welcome.

Middle Atlantic Products is an ISO 9001 Registered Company.