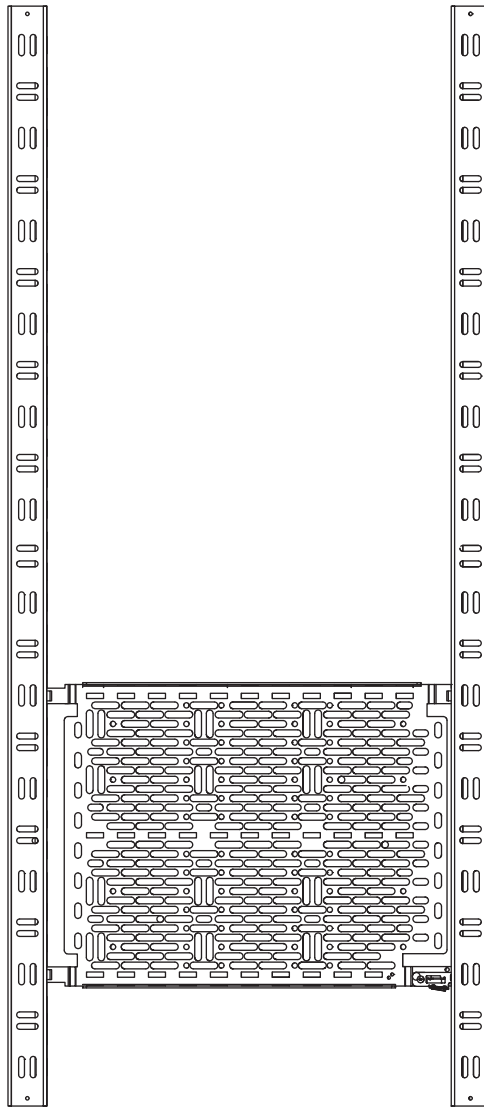


INSTRUCTION SHEET

VWM SERIES

LEVER LOCK™ FRONT DOOR OPTION



THANK YOU

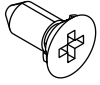
Thank you for purchasing a VWM Lever Lock™ Front Door option. Please read these instructions thoroughly before installing or assembling this product. For more information, refer to the VWM Series Vertical Wall Mount Rack Instruction Sheet (I-00796).

PRODUCT FEATURES

- Allows mounting of select Lever Lock accessories from inside the front door
- Includes 10" Lever Lock™ plate with universal mounting pattern
- Allows for the horizontal mounting of other 17" vertical Lever Lock options (LL-XX-17)
- Patented, tool-free Lever Lock™ system facilitates cable management and device mounting

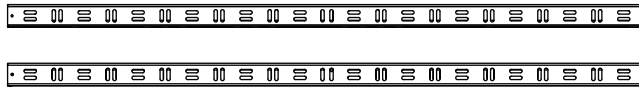


SUPPLIED COMPONENTS AND HARDWARE



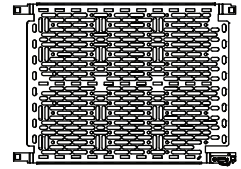
(6x) 6-32 x 5/16 Phil.
Bonding Screws

A



Lever Lock Brackets

B



Lever Lock Plate
(VP-1710)

C



(2x) Lever Lock
Securing Rivet

D



(20x) Lever Lock
Plate Washer

E

REQUIRED TOOLS

- No. 2 Phillips Driver

INSTALLING THE LEVER LOCK FRONT DOOR OPTION

1. Use (4x) 6-32 x 5/16 bonding screws (A, 2 per bracket) to install the brackets (B) to the door as shown. (**FIGURE A**)

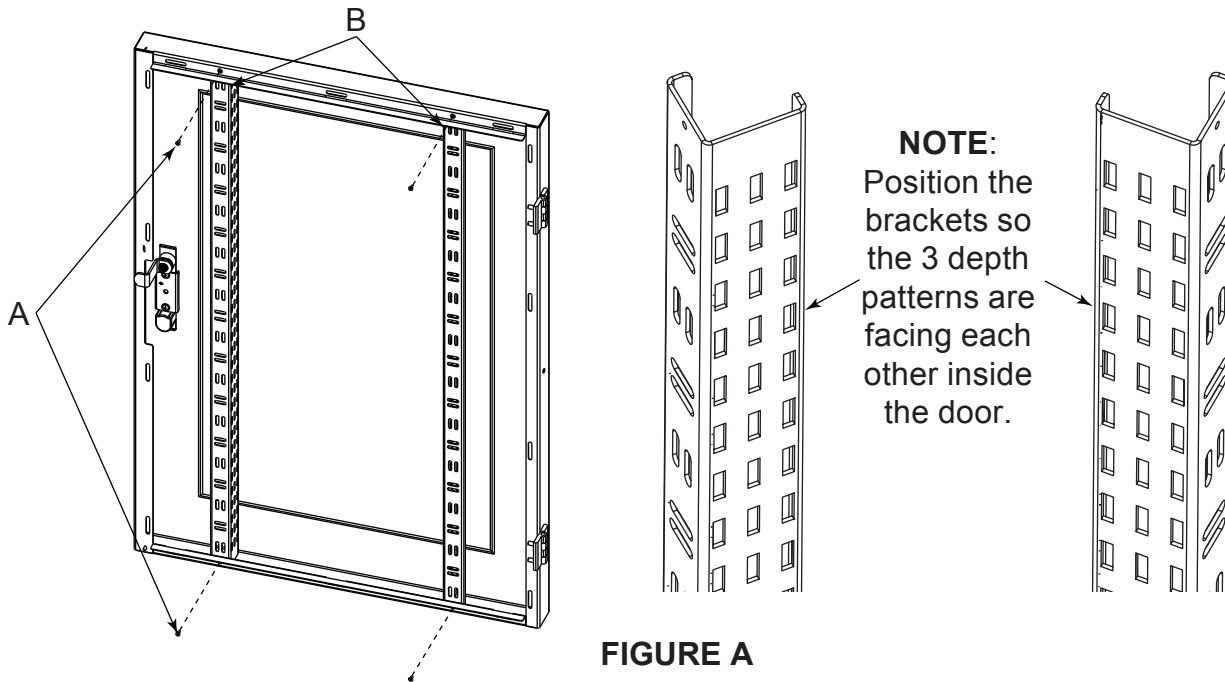


FIGURE A

CAUTION! The bonding screws must be used as explained to ensure proper bonding.

ATTENTION! Les vis doivent être utilisées comme expliqué pour assurer approprié électrique de liaison.

INSTALLING THE LEVER LOCK FRONT DOOR OPTION (CONTINUED)

2. Insert the side of the Lever Lock front door plate (C) without the clip into the brackets (B) first. Then install the side with the clip until it clicks into place. (**FIGURE B**)

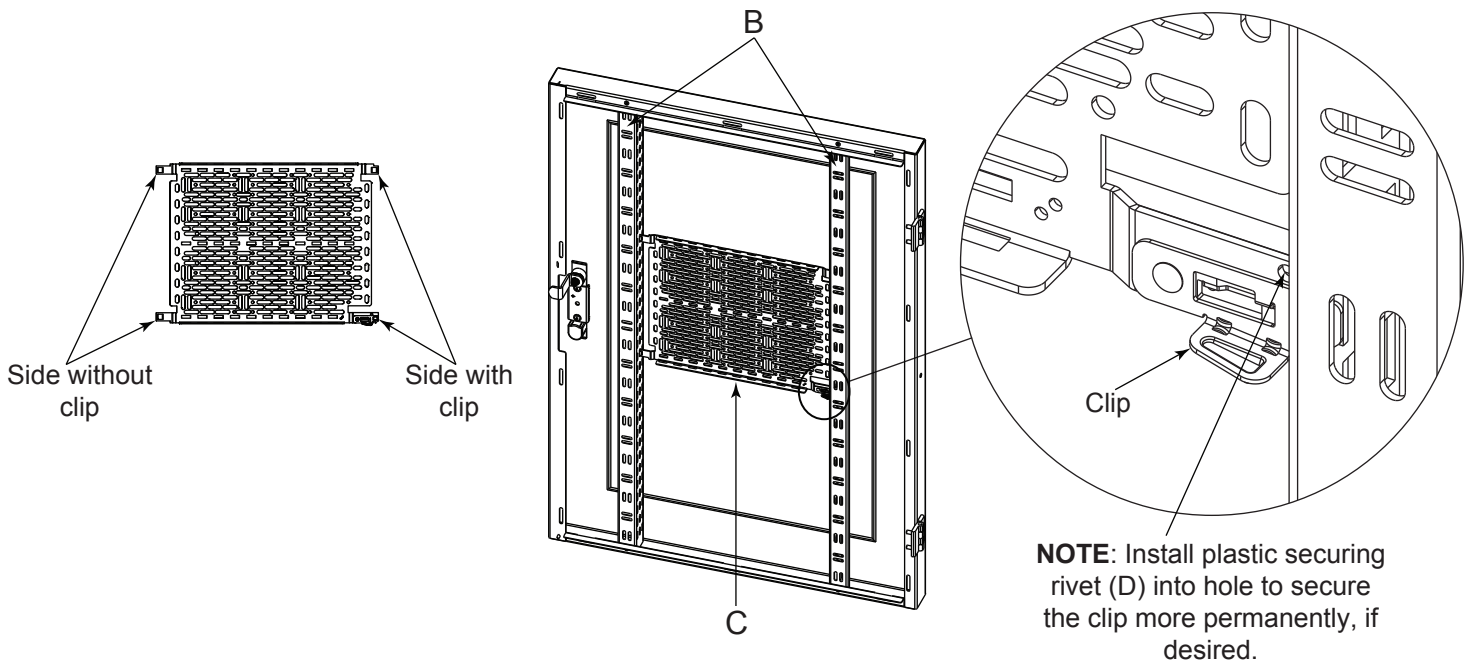


FIGURE B

NOTE:

- The Lever Lock front door plate may be installed on the brackets at different depths. All 4 corners of the Lever Lock front door plate must be inserted into the brackets at the same depth in order to function correctly.
- Allows for the horizontal mounting of other 17" vertical Lever Lock options (LL-XX-17).
- (20x) Lever Lock plate washers (E) are provided for equipment mounting convenience.

WARRANTY

For warranty information, refer to www.middleatlantic.com/terms.

Corporate Headquarters

Corporate Voice: 973-839-1011 - Fax: 973-839-1976 / International Voice: +1 973-839-8821

Fax: +1 973-839-4982

www.middleatlantic.com - info@middleatlantic.com

Middle Atlantic Canada

Voice: 613-836-2501 - Fax: 613-836-2690 / ca.middleatlantic.com -

customerservicecanada@middleatlantic.ca

Factory Distribution

USA: NJ - CA - IL Canada: ON - BC

At Middle Atlantic Products we are always listening. Your comments are welcome.

Middle Atlantic Products is an ISO 9001 and ISO 14001 Registered Company.



Middle Atlantic Products

what great systems are built on™

middleatlantic.com ■ 800.266.7225