

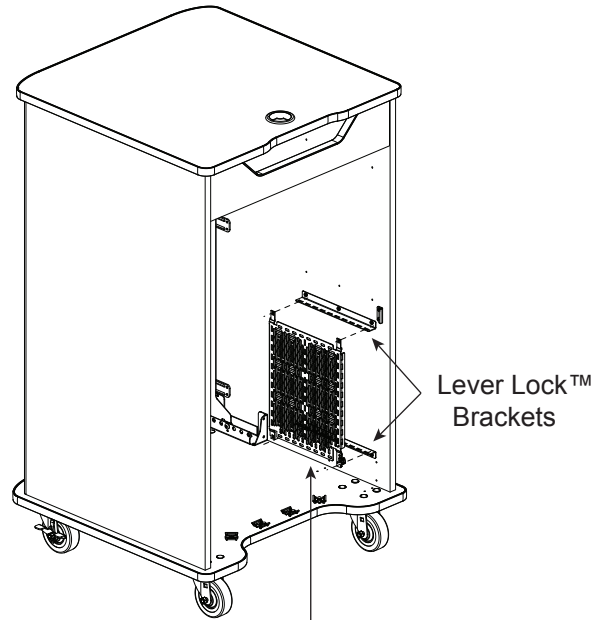
**INSTALLATION INSTRUCTIONS**  
**REFERENCE SERIES ROLLING FURNITURE RACK**  
**LEVER LOCK™ BRACKETS**

**TOOLS REQUIRED**

#2 Phillips screwdriver

**PARTS**

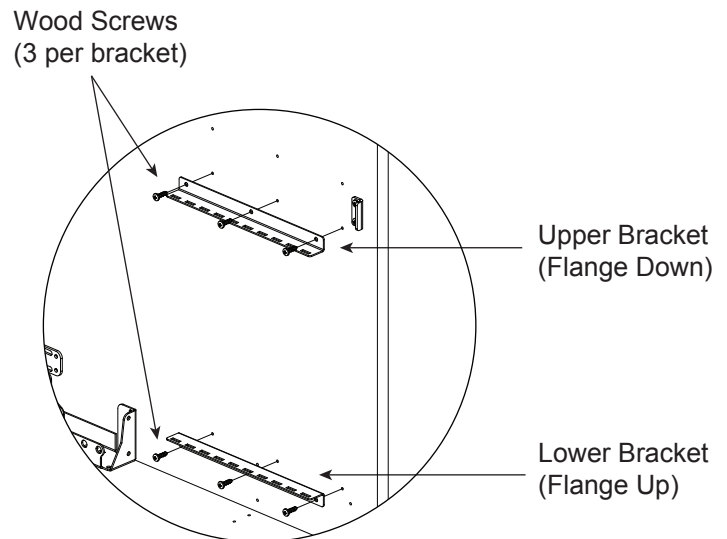
<b><u>QTY</u></b>	<b><u>DESCRIPTION</u></b>
2	Brackets
6	#10 x 5/8" Phillips Wood Screws



Vertical 10" Deep Plate  
LL-VP1710 (Sold Separately)

**INSTALLATION**

- 1) Select mounting area for Lever Lock™ brackets from one of three pre-drilled mounting locations (two provided on side wall, one provided on opposing wall).
- 2) Align three (3) wood screws with pre-drilled holes in RFR and secure upper bracket with mounting flanges face down. **(FIGURE A)**
- 3) Align three (3) wood screws with pre-drilled holes in RFR and secure lower bracket with mounting flanges face up. **(FIGURE A)**
- 4) Install Lever Lock™ accessories as per instructions provided with product.



**FIGURE A**



**Middle Atlantic Products**

I-00549

Rev B

## **WARRANTY**

Middle Atlantic Products (the "Company") warrants the Reference Series Rolling Furniture Rack Lever Lock™ Brackets to be free from defects in material or workmanship under normal use and conditions for the lifetime of the product.

The Company's entire liability to the purchaser, and the purchaser's (or any other party's) sole and exclusive remedy, under this warranty shall be limited, at the Company's option, to either (a) return of and refund of the price paid for, or (b) repair or replacement at the Company's factory of the products purchased, or any part or parts thereof, which the Company has determined to be defective after inspection thereof at the Company's factory.

This warranty does not cover damage due to acts of God, accident, misuse, abuse or negligence by parties other than the Company, or any modification or alteration of the products. In addition, this warranty does not cover damage due to improper handling, assembly, installation or maintenance.

THIS WARRANTY IS IN LIEU OF ALL OTHER WARRANTIES OF ANY KIND, EITHER EXPRESSED OR IMPLIED, INCLUDING, BUT NOT LIMITED TO, IMPLIED WARRANTIES OF MERCHANTABILITY AND FITNESS FOR A PARTICULAR PURPOSE.

TO THE MAXIMUM EXTENT PERMITTED BY APPLICABLE LAW, IN NO EVENT SHALL THE COMPANY BE LIABLE FOR ANY SPECIAL, INCIDENTAL, INDIRECT, OR CONSEQUENTIAL DAMAGES WHATSOEVER (INCLUDING, WITHOUT LIMITATION, DAMAGES FOR LOSS OF BUSINESS PROFITS, BUSINESS INTERRUPTION OR ANY OTHER PECUNIARY LOSS) ARISING OUT OF THE USE OF THE PRODUCTS PURCHASED, EVEN IF THE COMPANY HAS BEEN ADVISED OF THE POSSIBILITY OF SUCH DAMAGES. THE COMPANY'S LIABILITY TO THE PURCHASER (OR ANY OTHER PARTY) HEREUNDER, IF ANY, SHALL IN NO EVENT EXCEED THE PURCHASE PRICE OF THE PRODUCTS PAID TO THE COMPANY.

### **Corporate Headquarters**

Corporate Voice 973-839-1011 - Fax 973-839-1976  
International Voice +1 973-839-8821 - Fax +1 973-839-4982  
middleatlantic.com - info@middleatlantic.com

### **Middle Atlantic Canada**

Voice 613-836-2501 - Fax 613-836-2690  
middleatlantic.ca - customerservicecanada@middleatlantic.ca

### **Factory Distribution**

USA: NJ - CA - IL Canada: ON - BC

**At Middle Atlantic Products we are always listening. Your comments are welcome.**

**Middle Atlantic Products is an ISO 9001 and ISO 14001 Registered Company.**