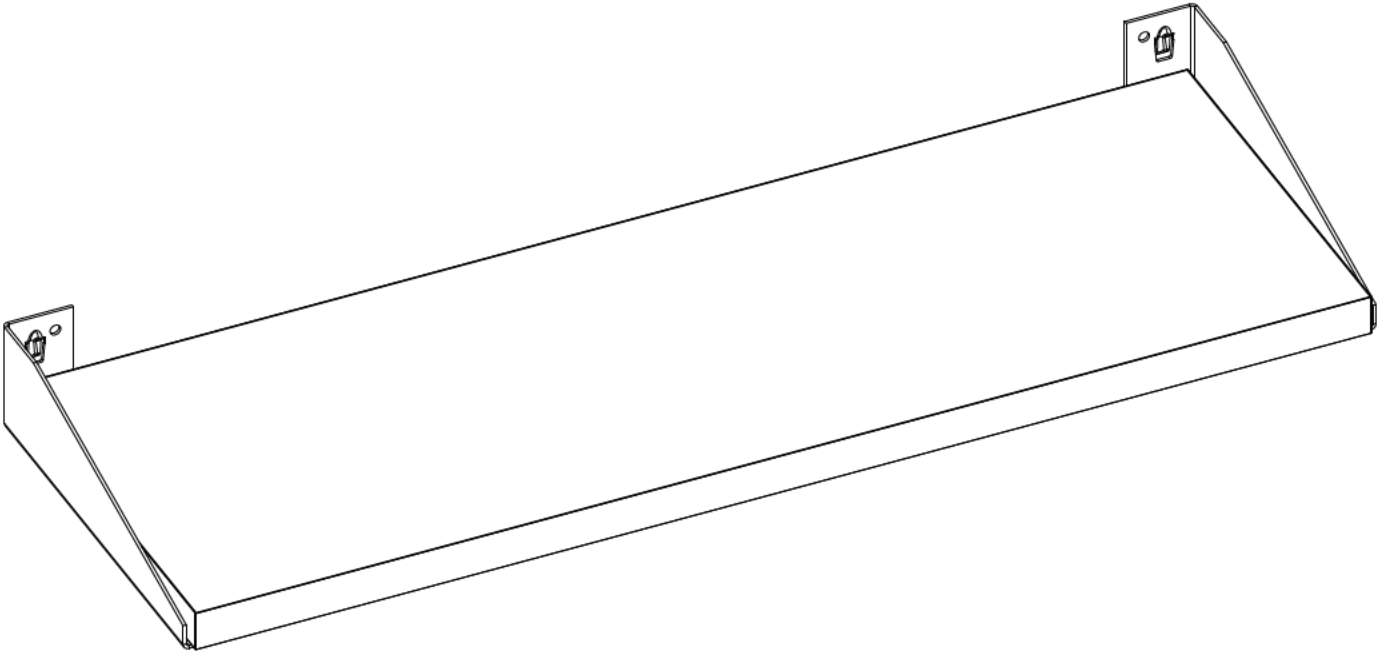


INSTRUCTION SHEET

C3 SERIES

SHELF KIT (C3-SHELFKIT)



THANK YOU

Thank you for purchasing a C3 Series Shelf kit. Please read these instructions thoroughly before installing or assembling this product.

IMPORTANT SAFETY INSTRUCTIONS

- Read these instructions.
- Heed all warnings.
- Clean only with dry cloth.
- Keep these instructions.
- Follow all instructions.
- Only use attachments/accessories specified by the manufacturer.



DANGER HAZARDOUS VOLTAGE: The lightning flash with the arrowhead symbol, within an equilateral triangle is intended to alert the user to the presence of uninsulated dangerous voltage within the product's enclosure that may be of sufficient magnitude to constitute a risk of electric shock to persons.



WARNING: A warning alerts you to a situation that could result in serious personal injury or death.



WARNING: Middle Atlantic Products, electrical systems conform to and should be properly grounded in compliance with requirements of the current National Electrical Code or codes administered by local authorities. All electrical products may present a possible shock or fire hazard if improperly installed or used. Electrical products may bear the mark of a Nationally Recognized Testing Laboratory (NRTL) and should be installed in conformance with current local and/or the National Electrical Code.



WARNING: Exceeding the weight ratings on page 3 can result in serious injury or damage to the equipment. It is the responsibility of the Installer/User to ensure the components installed do not surpass the weight ratings as an unstable condition can occur which may cause possible injury or damage.



WARNING: Failure to read, understand and follow the following information can result in serious personal injury, damage to the equipment or voiding of the warranty. It is the responsibility of the Installer/User to ensure that this product is loaded according to specifications.

INSTRUCTIONS IMPORTANTES SUR LA SÉCURITÉ

- Lire ces instructions.
- Respectez tous les avertissements.
- Nettoyer uniquement avec un chiffon sec.
- Conservez ces instructions.
- Suivez toutes les instructions.
- N'utilisez que des accessoires spécifiés par le fabricant.



DANGER TENSION DANGEREUSE: Le symbole de la pointe de flèche, dans un triangle équilatéral, est destiné à alerter l'utilisateur sur la présence de tension dangereuse non isolée dans l'enceinte du produit qui peut être d'une ampleur suffisante pour constituer un risque d'électrocution.



AVERTISSEMENT: Un avertissement vous avertit d'une situation pouvant entraîner des blessures graves ou la mort.



AVERTISSEMENT: Les produits Middle Atlantic, les systèmes électriques sont conformes et doivent être correctement mis à la terre conformément aux exigences du Code national de l'électricité en vigueur ou aux codes administrés par les autorités locales. Tous les produits électriques peuvent présenter un risque d'électrocution ou d'incendie s'ils sont mal installés ou utilisés. Les produits électriques peuvent porter la marque d'un laboratoire d'essais reconnu au niveau national (NRTL) et doivent être installés conformément au code électrique local et/ou national en vigueur.



AVERTISSEMENT: Le dépassement des notes de poids à la page 4 peut entraîner des blessures graves ou des dommages à l'équipement. C'est l'responsabilité de l'installateur/utilisateur de s'assurer que les composants installé ne dépassent pas les notes de poids comme un instable condition peut se produire qui peut causer des blessures ou dommages.



AVERTISSEMENT: Refus de lire, comprendre et suivre la renseignements suivants peut traduire par de graves blessures, des dommages à l'équipement ou invalider la garantie. Il est la responsabilité de l'installateur / utilisateur de s'assurer que ce produit est chargé conformément aux spécifications.

WEIGHT RATINGS

Model Number	Weight Rating
C3 1-Bay 24" (610 mm) and 32" (813 mm) Height	75 lbs. (34 kg) Per Bay, 25 lbs. (11 kg) On Top, 100 lbs. (45 kg) Maximum Total Rated Load
C3 2-Bay 24" (610 mm) and 32" (813 mm) Height	75 lbs. (34 kg) Per Bay, 50 lbs. (23 kg) On Top, 200 lbs. (91 kg) Maximum Total Rated Load
C3 3-Bay 24" (610 mm) and 32" (813 mm) Height	75 lbs. (34 kg) Per Bay, 75 lbs. (34 kg) On Top, 300 lbs. (136 kg) Maximum Total Rated Load
C3 4-Bay 24" (610 mm) and 32" (813 mm) Height	75 lbs. (34 kg) Per Bay, 100 lbs. (45 kg) On Top, 400 lbs. (181 kg) Maximum Total Rated Load
Slide-Out Rack Option (C3-TECHKIT4-SO)	75 lbs. (34 kg) Maximum Total Rated Load
Fixed Rack Option (C3-TECHKIT4-ST)	75 lbs. (34 kg) Maximum Total Rated Load
Shelf Kit Option (C3-SHELFKIT, Weight Per Shelf)	30 lbs. (14 kg) Maximum Total Rated Load
Display Mount Option (C3-XX-LDXU, Weight Per Screen)	125 lbs. (57 kg) Maximum Total Rated Load

WEIGHT RATINGS (CONTINUED)



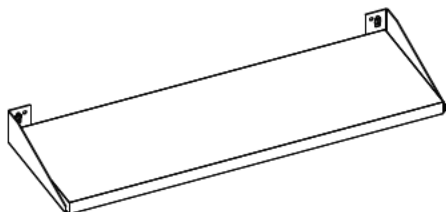
WARNING: This product is intended for use only with the products and maximum weights indicated. Use with other products or products heavier than the maximum weights indicated may result in instability causing possible injury. Total equipment weight must not exceed the amounts indicated on the previous table.



AVERTISSEMENT: Ce produit est destiné à être utilisé uniquement avec les produits et les poids maximum indiqués. L'utilisation avec d'autres produits ou produits plus lourds que le poids maximum indiqué peut entraîner une instabilité pouvant causer des blessures. Le poids total de l'équipement ne doit pas dépasser les quantités indiquées dans le tableau précédent.

SUPPLIED COMPONENTS AND HARDWARE

If any pieces are missing or damaged, please report it immediately to Technical Support at av.support@legrand.com or (866) 977-3901.



(2x) Wood Shelf With
Pre-Assembled Brackets
A



(5x) 8-32 x 5/16"
Thread Forming
Screw
B

NOTE:

- To order more hardware, contact support at av.support@legrand.com or (866) 977-3901.
- Additional hardware is included that may not be required for your installation.

REQUIRED TOOLS

- Protective Eyewear
- Power Driver
- Rubber Mallet
- #2 Phillips Screwdriver
- #2 Phillips Bit



WARNING: Use tools with caution and follow all necessary safety protocols.

AVERTISSEMENT: Utiliser des outils avec prudence et suivre tous les protocoles de sécurité nécessaires.

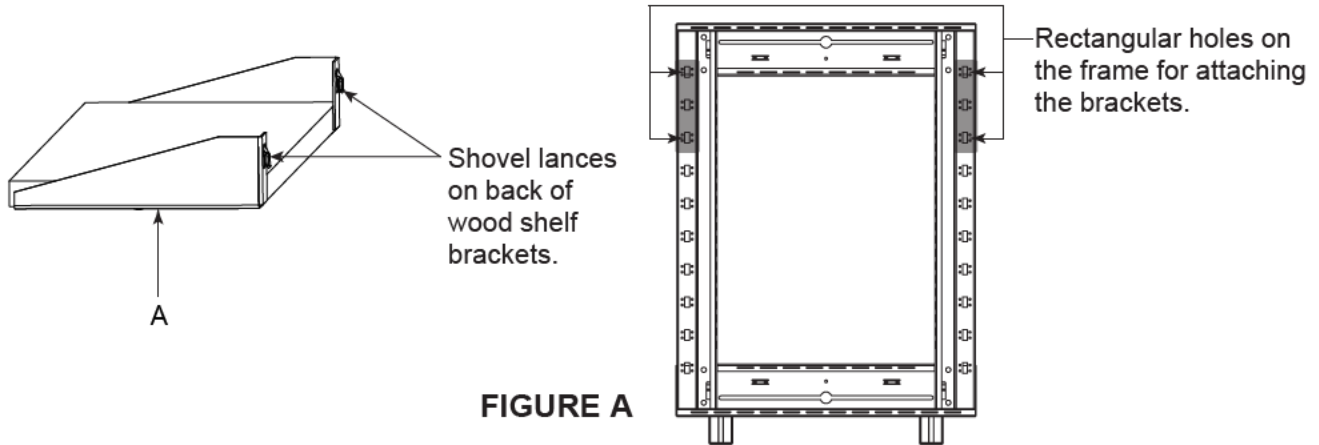
INTRODUCTION

NOTE:

- Only use this instruction sheet to install your C3 Series Shelf kit after you refer to the C3 Series Credenza Frame instruction sheet (100-00032) and secure the frame to your wall.
- If your installation includes a purchased fan kit and/or a large cover option (for your purchased display option), after installing this and any other options you may have purchased for your credenza, refer to the C3 Series WoodKit instruction sheet (100-00040) to install your woodkit, and then refer to the C3 Series Fan Kit (C3-FANKIT) instruction sheet (100-00039) and/or C3 Series Display Mount Large Cover Option instruction sheet (100-00035) to install your fan kit and/or your large cover option, respectively. Kits and options other than the fan kit and large cover option should be installed before the woodkit.
- Instruction sheets may also be accessed at www.middleatlantic.com.

INSTALLING THE SHELF KIT OPTION (C3-SHELFKIT)

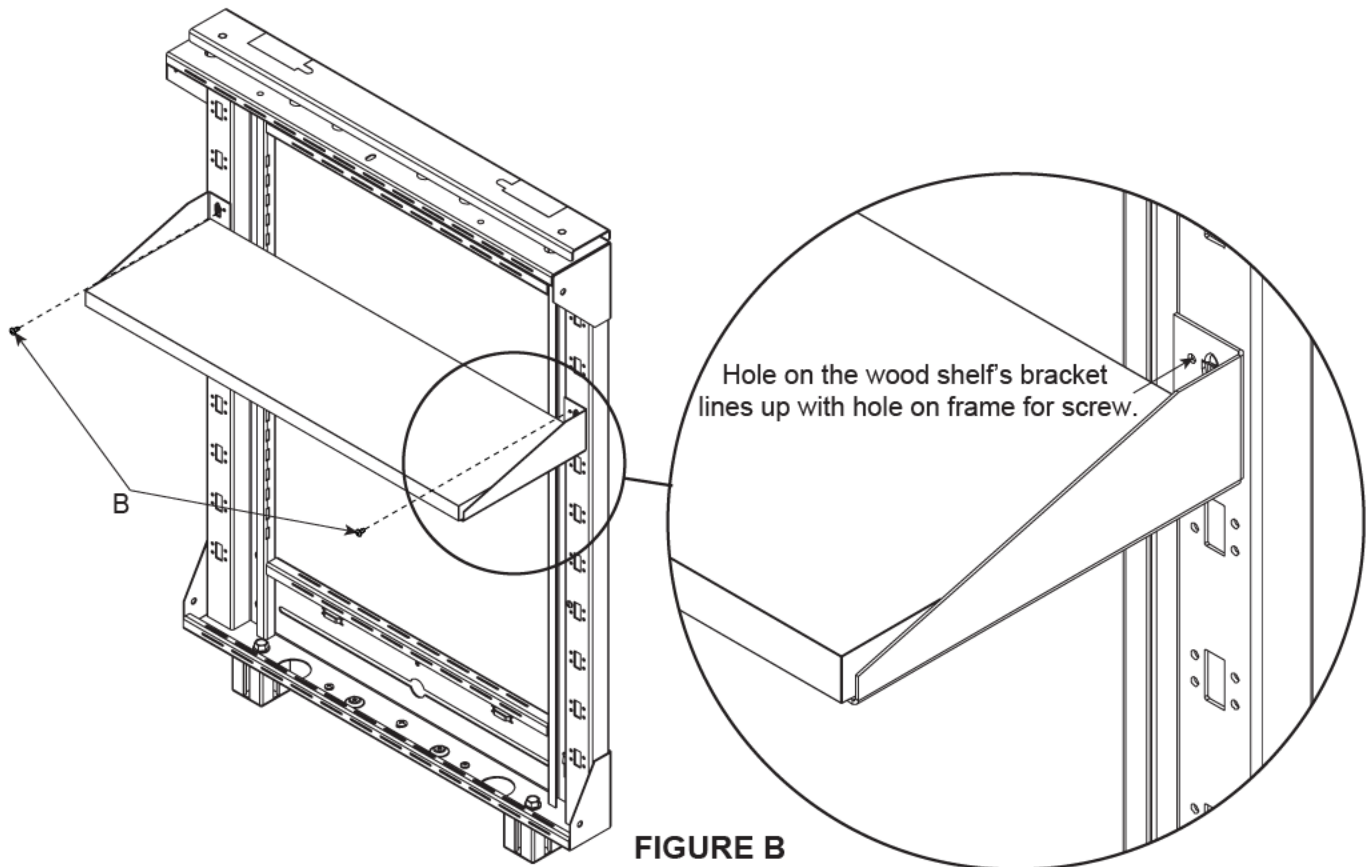
1. Hook the shovel lances on one of the wood shelves with pre-assembled brackets (A) into the rectangular set of holes on the frame (shaded) as shown. (FIGURE A)



2. With the shovel lances hooked in the holes, push downward on the wood shelf brackets until they lock into place.

NOTE: Verify the torque on your power driver is on the lightest setting and only increase as necessary.

3. Use a power driver, #2 Phillips bit, and (2x) 8-32 x 5/16" thread forming screws (B) to secure the wood shelf brackets to the frame as shown. (FIGURE B)



4. Repeat the process to install the second wood shelf bracket on the other side of the frame.

Repeat the process to install the second wood shelf bracket on a different set of rectangular holes on the other side of the frame.

UNDERSTANDING NEXT STEPS

If your installation includes a purchased fan kit and/or a large cover option (for your purchased display option), after installing this and any other options you may have purchased for your credenza, refer to the C3 Series WoodKit instruction sheet (100-00040) to install your woodkit, and then refer to the C3 Series Fan Kit (C3-FANKIT) instruction sheet (100-00039) and/or C3 Series Display Mount Large Cover Option instruction sheet (100-00035) to install your fan kit and/or your large cover option, respectively.

NOTE:

- Kits and options other than the fan kit and large cover option should be installed before your woodkit is attached to the frame.
- Attaching your display(s) (display(s) not included) to the horizontal extrusion of the display mount option (C3-XX-LDXU, if purchased) must be done as the final part of your C3 installation process. For more information, refer to "Attaching Your Display to the Horizontal Extrusion" on page 11 of the C3 Series Display Mount Option (C3-XX-LDXU) Instruction Sheet (100-00034).

WARRANTY

For warranty information, refer to legrandav.com/policies/warranty_information.

Corporate Headquarters

P: (866) 977-3901 | F: (877) 894-6918 | legrandav.com | av.support@legrand.com

Middle Atlantic Canada

P: (888) 766-9770 | F: (888) 599-5009 | ca.middleatlantic.com | av.canada.customerservice@legrand.com

Middle Atlantic EMEA Technical Support

P: +31 495-726-003 | av.emea.middleatlantic.support@legrand.com

Factory Distribution

United States: New Jersey, California, and Illinois | Canada: Ontario | The Netherlands: Weert

At Legrand AV Inc. we are always listening. Your comments are welcome.

Legrand AV is an ISO 9001 and ISO 14001 Registered Company.



what great systems are built on™

middleatlantic.com ■ 800.266.7225