

# BGR SERIES 19" GANGABLE ENCLOSURES

The #1 AV Enclosure with innovative installation and servicing features designed to save time and labor.

## FEATURES

- All BGRs are now equipped with the revolutionary Forward rackrail giving you the ability to use Forward blank panels, vent panels horizontal cable management and vertical cable management
- Provides more rackspace in a smaller overall height than similar racks
- Accepts patented Lever Lock™ tool free and hardware free internal device and cable management system accessories
- Fully welded construction provides the following weight capacities: UL Listed load capacity: 3,000 lbs., Seismic certified capacity: 1,175 lbs.
- Pre-threaded ganging holes allow for rack joining after loading
- Rackrail depth indicators
- 1/2", 3/4", 1" & 1-1/2" electrical knockouts and 5/8" and 1/2" D UHF/VHF antennae knockouts on rear top & bottom, easily removable for cable pass-through. Top cable management plate (38 space and up) includes 1/2", 3/4", 1" 1-1/2" & 3" electrical knockouts and 5/8" and 1/2" D UHF/VHF antennae knockouts
- 23" OD width, multiple depths
- Two pairs of 11-gauge, Forward rackrail with numbered rackspace increments
- Optional stackable 3" extender bay available for front and rear
- Optional curved and beveled front doors in solid, vented and plexiglass styles
- Front and Rear Doors include a swing handle installed in an industry standard 25mm wide x 150mm high cutout.
- Attractive interior bevels
- Configurable open top with vertical cable management entry points
- Durable black textured powder coat finish
- Seismic certified (when used with BGR-Z4 or BGR-ISO-Z4 option) with an Ip value of 1.5
- UL Listed in the US and Canada



BGR shown with curved door and side panels



BGR shown with beveled door and side panels

# BGR SERIES 19" GANGABLE ENCLOSURES

---

## OPTIONS

- Lever Lock™ tool free and hardware free internal device and cable management system accessories shall be model # LL-XXYY (XX = type, YY = size, refer to legrandav.com for additional details)
- Curved front doors shall be model # VFD-XXA (vented, 64% open area), PFD-XXA (plexi), (XX= # of rackspaces)
- Beveled front doors shall be model # BFD-XX (solid), BVFD-XX (vented, 64% open area), BPDF-XX (plexi), (XX= # of rackspaces)
- Front or Rear Extender, adds 3" of usable depth, model # BGR-\_\_-EXT3 (41,45)
- Cable Chase option mounts in between BGR racks and has a 4.4" width. Model # shall be BGR-CC-XXFB (XX = # of rackspaces) for the Front and Back panels and BGR-CC-YYLT (YY = Rack Depth) for the Top panel with LKOs
- Cable entry rear door, shall be model # BGR-RDC\_\_ (19, 25, 38, 41, 45)
- Inner platform base shall be BS-BGR
- Forward UPS Caster Base shall be FWD-CBS-2KVA-BGRXX and have a weight capacity of 1,038 lbs. and raise total rack height 7.42" (XX=Depth)
- Forward UPS Base shall be FWD-BS-2KVA-BGRXX and raise total rack height 5.66" (XX=Depth)
- Caster kit shall add 1" to overall height, include four casters with a 1,100 lb. weight capacity, and shall be model # CBS-BGR
- Rear rail kit shall be model # FWD-BGR-RRXX (XX=# of rackspaces)
- Removable keylocked side panels shall be model # BSPN-XX-YY (XX=rackspace, YY=depth)
- Seismic Zone 4, Seismic Use Group III and Seismic Design Category "D" compliancy kit shall be model # BGR-Z4
- Seismic Zone 4, Seismic Use Group III and Seismic Design Category "D" compliancy and isolation kit shall be model # BGR-ISO-Z4
- Seismic Zone 4, Seismic Use Group III and Seismic Design Category "D" riser bases shall be SRB-(1,2,3)-BGR-(32, 38)24
- Isolation kit shall be model # BGR-ISO
- Front decorative trim shall be BGR-TRIM\_\_(45,41,38, 25, 19) and shall include the following colors: Green (pre-installed), Red, Black, Blue & White

# BGR SERIES 19" GANGABLE ENCLOSURES

## SPECIFICATIONS

EIA compliant 19" gangable equipment rack shall be Middle Atlantic Products model #BGR-\_\_-\_\_ (see chart for available models). Overall dimensions of BGR shall be (refer to chart). Useable height of BGR shall be \_\_ rackspaces, useable depth shall be \_\_" (refer to chart). BGR shall come equipped with two pairs of fully adjustable steel rackrail with two 10-32 threaded holes per side of each marked rackspace, and a cage-nut style mount that is compatible with tool-free Forward Series rackmount accessories. BGR rackrail shall include cable management lacing provisions and accept tool-free Forward Series cable management accessories. BGR shall have .100" thick steel along rackrail brackets, .310" thick steel at corners. BGR shall include vented locking and latching rear door, which shall be capable of accepting up to six 4-1/2" fans. Top and bottom of BGR shall feature vertical slotted vent pattern for ventilation. BGR shall have two 1" x 7" rear obround knockouts with 1/2", 1", 1-1/4" and 1-1/2" electrical knockouts and 5/8" and 1/2" D UHF/ VHF antennae knockouts in base and top. BGR shall have a configurable open top with vertical cable management entry points. BGR shall accept patented LeverLock™ tool free and hardware free internal cable and device management system accessories. BGR shall have pre-threaded 5/16"-18 ganging holes. BGR shall be capable of ganging while fully loaded, using bolts only. BGR shall have marked rackrail depth indicators. BGR shall be of fully welded construction. BGR shall be finished in an environmentally friendly, durable black powdercoat. Grounding and bonding studs shall be 1/4"-20 threaded, installed in top and base of enclosure (19 and 25 space have stud in bottom only). Fully welded construction shall provide a UL Listed load capacity of 3,000 lbs. BGR Series enclosures shall satisfy the 1997 UBC; 2001, 2007 & 2010 CBC; 2000, 2003, 2006 & 2009 IBC; ASCE 7-02, ASCE 7-05, ASCE 7-10 and the 2003, 2006 & 2009 editions of NFPA 5000 for use in areas of high seismicity, Seismic Use Group III, Zone 4 or Seismic Design Category (SDC) "D" with lateral force requirements for protecting 1,175 lbs. of essential equipment in locations with the highest level of seismicity and top floor or rooftop installations with an Importance factor (Ip) of 1.5 when used with BGR-Z4 or BGR-ISO-Z4 (isolated) seismic floor anchor bracket. BGR is OSHPD OPM pre-approved for installations in California healthcare facilities. BGR shall be UL Listed in the US and Canada. BGR shall be GREENGUARD Gold Certified. BGR shall be manufactured by an ISO 9001 and ISO 14001 registered company. BGR enclosure shall be warranted to be free from defects in material or workmanship under normal use and conditions for the lifetime of the rack.

PART #	RACKSPACES	"A" OVERALL HEIGHT	"B" RACKING HEIGHT	"C" DEPTH	"D" USEABLE DEPTH
BGR-1927	19	37.375 [949]	33.375 [848]	27 [686]	24.4 [620]
BGR-2527	25	47.875 [1216]	43.875 [1114]	27 [686]	24.4 [620]
BGR-3827	38	70.625 [1794]	66.625 [1692]	27 [686]	24.4 [620]
BGR-4127	41	75.875 [1927]	71.875 [1826]	27 [686]	24.4 [620]
BGR-4527	45	82.875 [2105]	78.875 [2003]	27 [686]	24.4 [620]
BGR-2532	25	47.875 [1216]	43.875 [1114]	32 [812]	29.4 [747]
BGR-3832	38	70.625 [1794]	66.625 [1692]	32 [812]	29.4 [747]
BGR-4132	41	75.875 [1927]	71.875 [1826]	32 [812]	29.4 [747]
BGR-4532	45	82.875 [2105]	78.875 [2003]	32 [812]	29.4 [747]
BGR-4138	41	75.875 [1927]	71.875 [1826]	38 [965]	35.4 [899]
BGR-4538	45	82.875 [2105]	78.875 [2003]	38 [965]	35.4 [899]



PRODUCT CERTIFIED FOR  
LOW CHEMICAL EMISSIONS  
UL.COM/GG  
UL 2818



EIA/TIA COMPLIANT

SEISMIC CERTIFIED



# BGR SERIES FORWARD PRE-CONFIGURED RACK

A single part number aimed to helping you get the job done in a fraction of the time with everything needed for an optimized foundation to deliver the ultimate AV experience.

## INCLUDES

### POWER

- Forward UPS Caster Base (FWD-CBS-2KVA-BGRXX\*)
- (1) outlet Select Series Vertical PDU with RackLink™ (RLNK-xx15V\*)

### PANELS

- (4) Forward 1RU flanged blank panels (FWD-EB1)
- (2) Forward 2RU flanged blank panels (FWD-EB2)

### HORIZONTAL CABLE MANAGEMENT

- (1) 4pk of Forward straight horizontal lacer bar (FWD-LB-1A-4PK)
- (1) 4pk of Forward 2" offset horizontal lacer bar (FWD-LB-2A-4PK)

### VERTICAL CABLE MANAGEMENT

- (1) Forward Vertical Wire Grid Lace (FWD-LACE-WB3-XX-XX\*)
- (1) Forward Vertical Cable Management Lace (FWD-LACE-UMV-XX-XX\*)
- (2) Lever Lock™ vertical channel (LL-VC21)

### CABLE MANAGEMENT ACCESSORIES

- (1) 15pk of Forward tie saddles (FWD-TSW-15)
- (2) Velcro® straps for tie saddles (TW12)

### SMALL DEVICE MOUNTING

- (2) 4pk of Forward small device clamps (FWD-SIDECLMP-4)
- (1) Lever Lock™ plate for small device mounting (LL-VP2110)

### LIGHTING

- (1) Forward utility light (pair) with IR sensor and dimmer (FWD-LT-UTL-XX-XX-D\*)

### THERMAL MANAGEMENT

- (1) DC fan top (BGR-276FT-FC)

### OPTIONS

- (1) Solid front door (BFD-XX\*)
- (1) Pair of side panels (BSPN-XX-YY\*)
- (1) set of leveling feet (LF-HD)

### HARDWARE

- (100) 10-32 threaded rackscrews (HP)



\*See compatibility matrix for full part number.

# BGR SERIES FORWARD PRE-CONFIGURED RACK

## SPECIFICATIONS

EIA compliant pre-configured 19" gangable equipment rack shall be Middle Atlantic Products model #BGR-\_\_- FWD (see chart for available models). Overall dimensions of BGR shall be \_\_"H x 23"W x \_\_"D (refer to chart). Useable height of BGR shall be \_\_ rackspaces, useable depth shall be \_\_" (refer to chart). BGR shall come equipped with two pairs of fully adjustable steel rackrail with two 10-32 threaded holes per side of each marked rackspace, and a cage-nut style mount that is compatible with tool-free Forward Family rackmount accessories. BGR rackrail shall include cable management lacing provisions and accept tool-free Forward Family cable management accessories. BGR shall have .100" thick steel along rackrail brackets, .310" thick steel at corners. BGR shall include vented locking and latching rear door, which shall be capable of accepting up to six 4-1/2" fans. Top and bottom of BGR shall feature vertical slotted vent pattern for ventilation. BGR shall have two 1" x 7" rear obround knockouts with 1/2", 1", 1-1/4" and 1-1/2" electrical knockouts and 5/8" and 1/2" D UHF/ VHF antennae knockouts in base and top. BGR shall accept patented Lever Lock™ tool free and hardware free internal cable and device management system accessories. BGR shall have pre-threaded 5/16"-18 ganging holes. BGR shall be capable of ganging while fully loaded, using bolts only. BGR shall have marked rackrail depth indicators. BGR shall be of fully welded construction. BGR shall be finished in an environmentally friendly, durable black powdercoat. Grounding and bonding studs shall be 1/4-20 threaded, installed in top and base of enclosure. BGR shall include side panels, leveling feet, 276 CFM fan top, solid front door, remote power management, UPS caster base, rackscrews, Lever Lock™ panels and Forward Family blank panels, lacer bars, lace strips, lighting and other cable management accessories. Fully welded construction shall provide a UL Listed load capacity of 1,038 lbs. BGR shall be UL Listed in the US and Canada. BGR shall be GREENGUARD Gold Certified. BGR enclosure shall meet the RoHS EU Directive 2011/65/EU. BGR shall be manufactured by an ISO 9001 and ISO 14001 registered company. BGR enclosure and sheet metal accessories shall be warranted to be free from defects in material or workmanship under normal use and conditions for the lifetime of the product, lighting and power shall be warranted for a period of 3 years; and UPS-2200R shall be warranted



PRODUCT CERTIFIED FOR  
LOW CHEMICAL EMISSIONS  
UL.COM/JGG  
UL 2818



EIA/TIA COMPLIANT

SEISMIC CERTIFIED



# BGR SERIES PRE-CONFIGURED FOR AV SYSTEMS

A pre-configured BGR Built for today's AV systems. The accessories and options included with the Pre-Configured BGR for AV are exactly what you need to deliver an optimized AV system.

## INCLUDES

### PANELS

- (4) Forward 1RU flanged blank panels (FWD-EB1)
- (2) Forward 2RU flanged blank panels (FWD-EB2)

### HORIZONTAL CABLE MANAGEMENT

- (1) 4pk of Forward straight horizontal lacer bar (FWD-LB-1A-4PK)
- (1) 4pk of Forward 2" offset horizontal lacer bar (FWD-LB-2A-4PK)

### VERTICAL CABLE MANAGEMENT

- (1) Forward Vertical Wire Grid Lace (FWD-LACE-WB3-XX-XX\*)
- (1) Forward Vertical Cable Management Lace (FWD-LACE-UMV-XX-XX\*)
- (2) Lever Lock™ vertical channel (LL-VC21)

### CABLE MANAGEMENT ACCESSORIES

- (1) 15pk of Forward tie saddles (FWD-TSW-15)
- (2) Velcro® straps for tie saddles (TW12)

### SMALL DEVICE MOUNTING

- (2) 4pk of Forward small device clamps (FWD-SIDECLMP-4)
- (1) Lever Lock™ plate for small device mounting (LL-VP2110)

### THERMAL MANAGEMENT

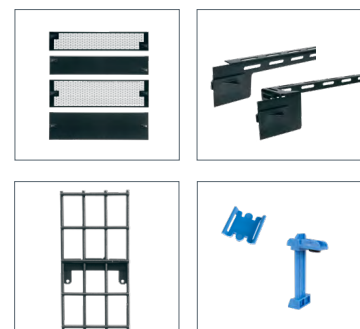
- (1) DC fan top (IBGR-276FT-FC)

### OPTIONS

- (1) Solid front door (BFD-XX\*)
- (1) Pair of side panels (BSPN-XX-YY\*)
- (1) set of leveling feet (LF-HD)

### HARDWARE

- (100) 10-32 threaded rackscrews (HP)



\*See compatibility matrix for full part number.

# BGR SERIES PRE-CONFIGURED FOR AV SYSTEMS

## SPECIFICATIONS

EIA compliant pre-configured 19" gangable AV equipment rack shall be Middle Atlantic Products model #BGR-\_\_-AV (see chart for available models). Overall dimensions of BGR shall be \_\_"H x 23"W x \_\_"D (refer to chart). Useable height of BGR shall be \_\_ rackspace, useable depth shall be \_\_"D (refer to chart). BGR shall come equipped with two pairs of fully adjustable steel rackrail with two 10-32 threaded holes per side of each marked rackspace, and a cage-nut style mount that is compatible with tool-free Forward Family rackmount accessories. BGR rackrail shall include cable management lacing provisions and accept tool-free Forward Family cable management accessories. BGR shall have .100" thick steel along rackrail brackets, .310" thick steel at corners. BGR shall include vented locking and latching rear door, which shall be capable of accepting up to six 4-1/2" fans. Top and bottom of BGR shall feature vertical slotted vent pattern for ventilation. BGR shall have two 1" x 7" rear obround knockouts with 1/2", 1", 1-1/4" and 1-1/2" electrical knockouts and 5/8" and 1/2" D UHF/ VHF antennae knockouts in base and top. BGR shall accept patented Lever Lock™ tool free and hardware free internal cable and device management system accessories. BGR shall have pre-threaded 5/16"-18 ganging holes. BGR shall be capable of ganging while fully loaded, using bolts only. BGR shall have marked rackrail depth indicators. BGR shall be of fully welded construction. BGR shall be finished in an environmentally friendly, durable black powdercoat. Grounding and bonding studs shall be 1/4-20 threaded, installed in top and base of enclosure. BGR shall include side panels, leveling feet, 276 CFM fan top, solid front door, rackscrews, Lever Lock™ panels and Forward Family blank panels, lacer bars, lace strips, lighting and other cable management accessories. Fully welded construction shall provide a UL Listed load capacity of 3,000 lbs. BGR shall be UL Listed in the US and Canada. BGR shall be GREENGUARD Gold Certified. BGR enclosure shall meet the RoHS EU Directive 2011/65/EU. BGR shall be manufactured by an ISO 9001 and ISO 14001 registered company. BGR enclosure and sheet metal accessories shall be warrantied to be free from defects in material or workmanship under normal use and conditions for the lifetime of the product, power shall be warrantied for a period of 3 years.



PRODUCT CERTIFIED FOR  
LOW CHEMICAL EMISSIONS  
UL.COM/JGG  
UL 2818



EIA/TIA COMPLIANT

SEISMIC CERTIFIED

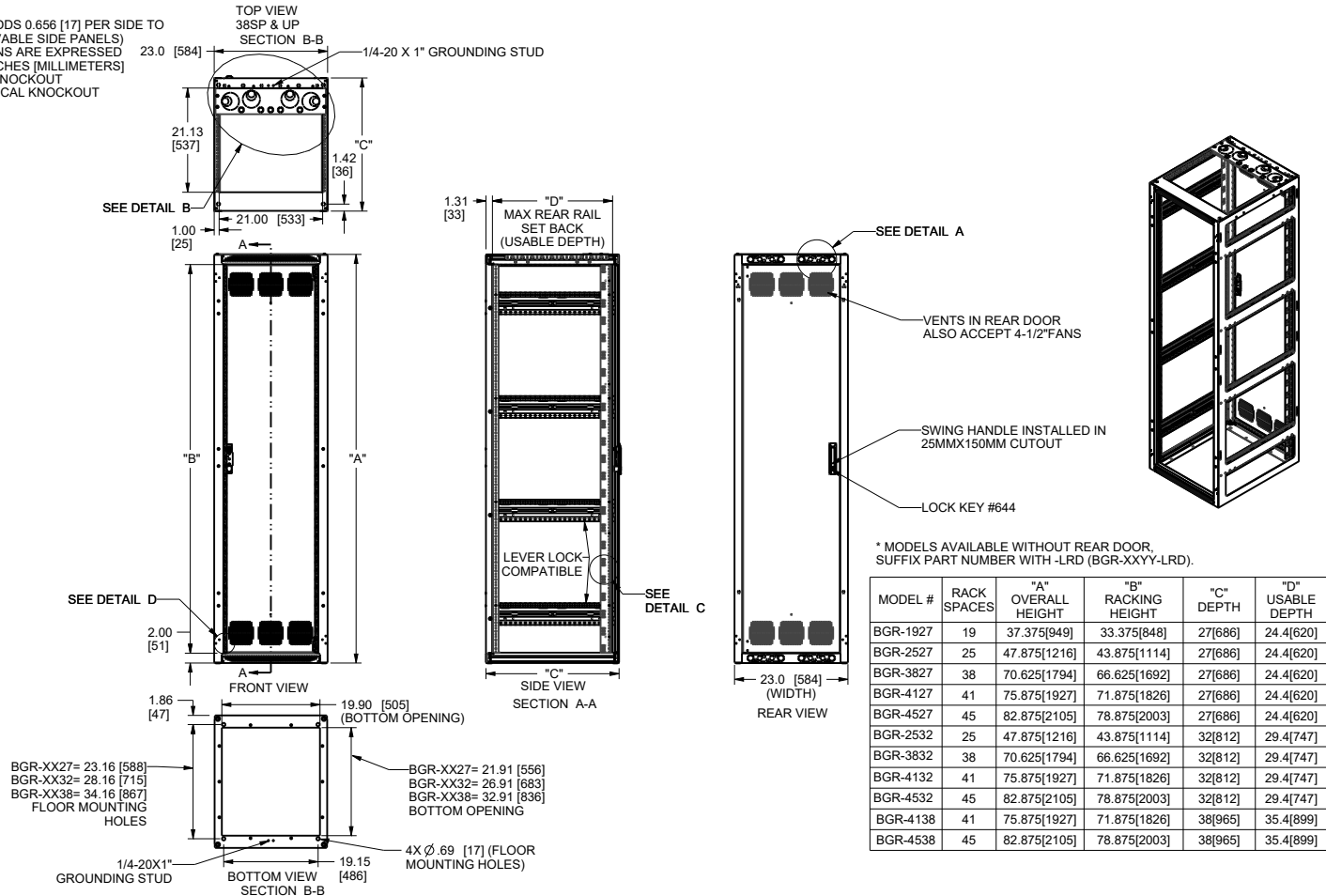


# BGR SERIES

## BASIC DIMENSIONS

**NOTE(S):**

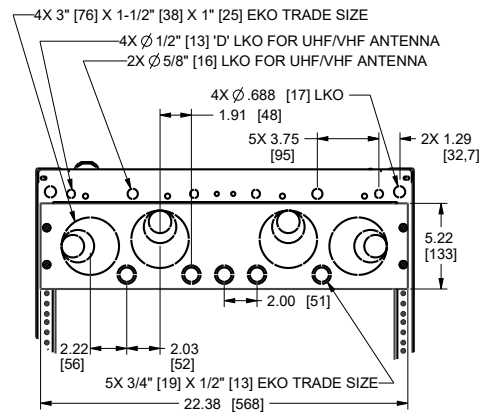
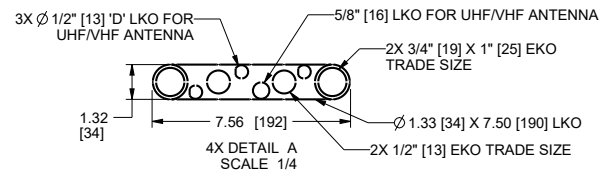
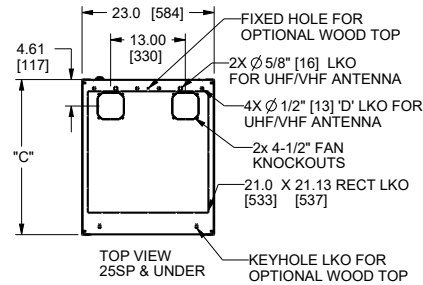
- 1) BSPN-XX-XX ADDS 0.656 [17] PER SIDE TO WIDTH (REMOVABLE SIDE PANELS)
- 2) ALL DIMENSIONS ARE EXPRESSED IN FORMAT: INCHES [MILLIMETERS]
- 3) LKO = LASER KNOCKOUT  
EKO = ELECTRICAL KNOCKOUT



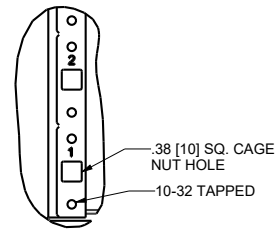


# BGR SERIES

## BASIC DIMENSIONS

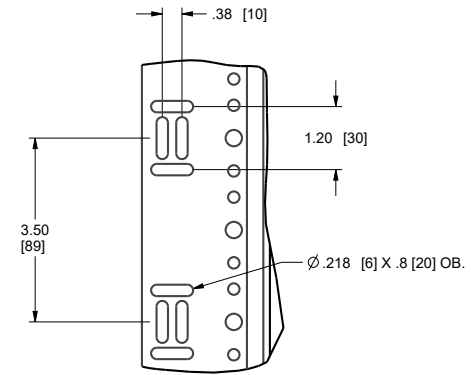


DETAIL B  
SCALE 5/32  
TOP PANEL DETAIL  
38SP & UP  
ACCEPTS TOP PANELS ONLY  
NOT STANDARD RACK PANELS



DETAIL D  
SCALE 1/2  
FORWARD COMPATIBLE RACKRAIL

CAGE NUTS ARE INCLUDED FOR INSTALLATIONS WHERE CENTER HOLE MOUNTING IS REQUIRED.

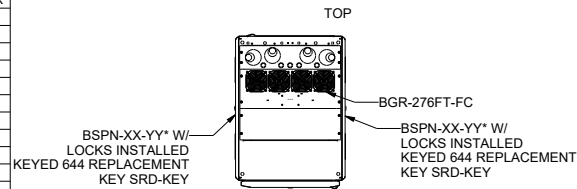


DETAIL C  
SCALE 1/2  
REAR RACKRAIL  
COMPATIBLE WITH ALL FORWARD CABLE MANAGEMENT ACCESSORIES

# BGR SERIES

## FORWARD PRE-CONFIGURED BASIC DIMENSIONS

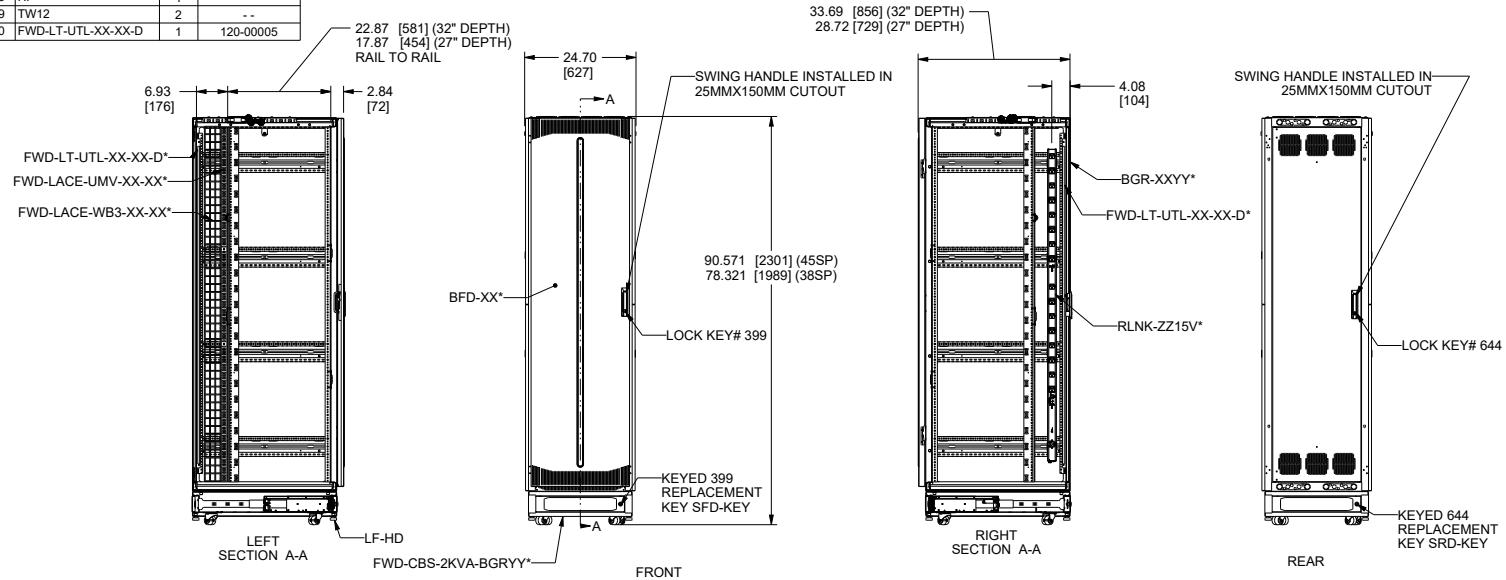
ITEM	PART NUMBER	QTY	SPEC NUMBER
1	BGR-XXYY	1	96-01149
2	BSPN-XX-YY	1	--
3	LF-HD	1	--
4	BGR-276FT-FC	1	96-01156-2
5	BFD-45	1	96-01156-1
6	RLNK-ZZ15V	1	96-01238
7	FWD-CBS-2KVA-BGRYY	1	120-00003
8	LL-VC21	2	96-01179
9	LL-VP2110	1	96-01179
10	FWD-EB1	4	120-00006
11	FWD-EB2	2	120-00006
12	FWD-LB-1A-4PK	1	120-00006
13	FWD-LB-2A-4PK	1	120-00006
14	FWD-LACE-WB3-XX-XX	1	120-00004
15	FWD-TSW-15	1	120-00007
16	FWD-SIDECLMP-4	2	120-00007
17	FWD-LACE-UMV-XX-XX	1	120-00004
18	HP	1	--
19	TW12	2	--
20	FWD-LT-UTL-XX-XX-D	1	120-00005



NOTE(S):  
 1) ALL DIMENSIONS IN FORMAT:INCHES [MILLIMETERS]  
 2) ITEMS 8-13, 15,16,18,19 INCLUDED BUT NOT SHOWN  
 3) CAGE NUTS ARE INCLUDED FOR INSTALLATIONS WHERE CENTER HOLE MOUNTING IS REQUIRED.

\* XX=HEIGHT; YY=DEPTH; ZZ=NUMBER OF OUTLETS

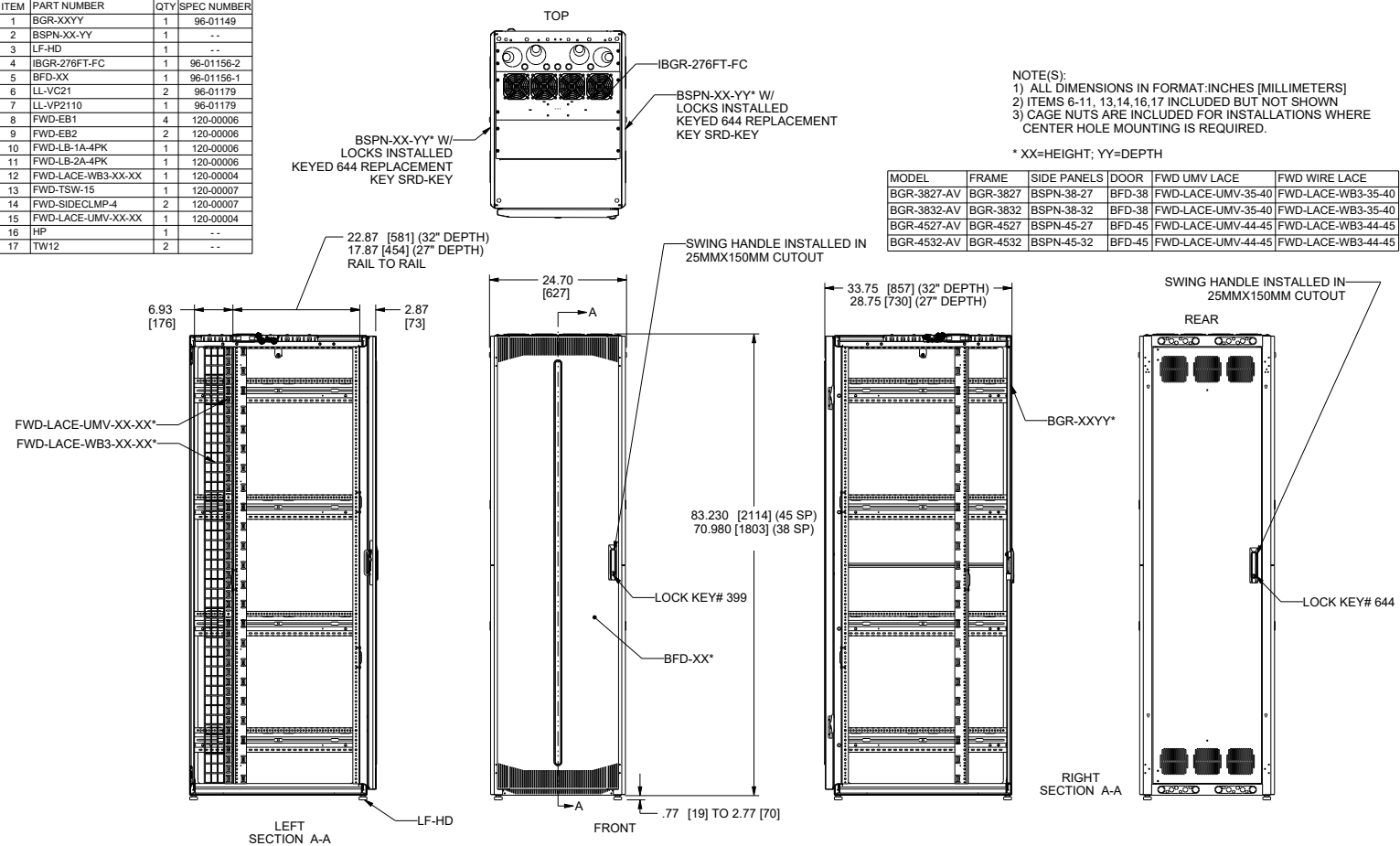
MODEL	FRAME	SIDE PANELS	DOOR	UPS BASE	RACKLINK	FWD UMV LACE	FWD WIRE LACE	FWD LIGHTING
BGR-3827-FWD	BGR-3827	BSPN-38-27	BFD-38	FWD-CBS-2KVA-BGR27	RLNK-1015V	FWD-LACE-UMV-35-40	FWD-LACE-WB3-35-40	FWD-LT-UTL-35-40-D
BGR-3832-FWD	BGR-3832	BSPN-38-32	BFD-38	FWD-CBS-2KVA-BGR32	RLNK-1015V	FWD-LACE-UMV-35-40	FWD-LACE-WB3-35-40	FWD-LT-UTL-35-40-D
BGR-4527-FWD	BGR-4527	BSPN-45-27	BFD-45	FWD-CBS-2KVA-BGR27	RLNK-1615V	FWD-LACE-UMV-44-45	FWD-LACE-WB3-44-45	FWD-LT-UTL-44-45-D
BGR-4532-FWD	BGR-4532	BSPN-45-32	BFD-45	FWD-CBS-2KVA-BGR32	RLNK-1615V	FWD-LACE-UMV-44-45	FWD-LACE-WB3-44-45	FWD-LT-UTL-44-45-D



# BGR SERIES

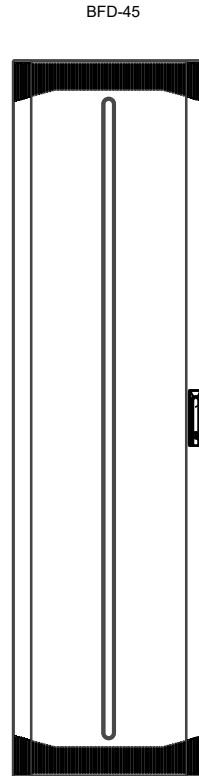
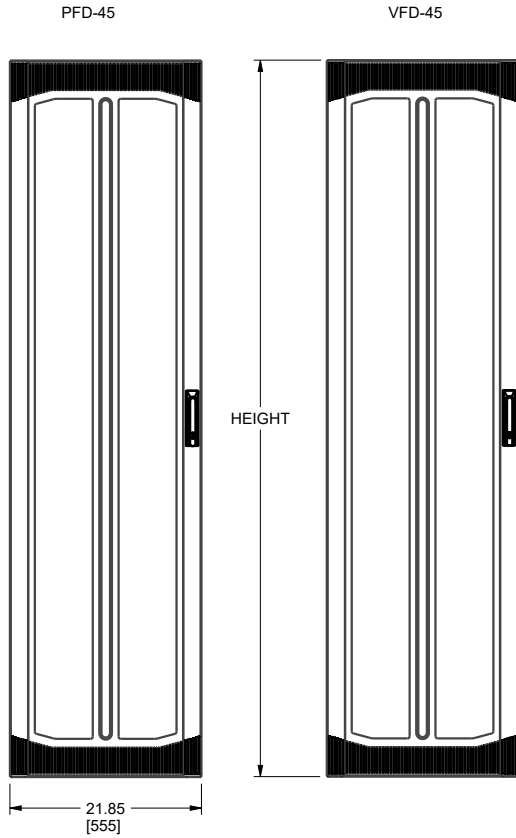
## PRE-CONFIGURED FOR AV BASIC DIMENSIONS

ITEM	PART NUMBER	QTY	SPEC NUMBER
1	BGR-XXYY	1	96-01149
2	BSPN-XX-YY	1	--
3	LF-HD	1	--
4	IBGR-276FT-FC	1	96-01156-2
5	BFD-XX	1	96-01156-1
6	LL-VC21	2	96-01179
7	LL-VP2110	1	96-01179
8	FWD-EB1	4	120-00006
9	FWD-EB2	2	120-00006
10	FWD-LB-1A-4PK	1	120-00006
11	FWD-LB-2A-4PK	1	120-00006
12	FWD-LACE-WB3-XX-XX	1	120-00004
13	FWD-TSW-15	1	120-00007
14	FWD-SIDECLMP-4	2	120-00007
15	FWD-LACE-UMV-XX-XX	1	120-00004
16	HP	1	--
17	TW12	2	--

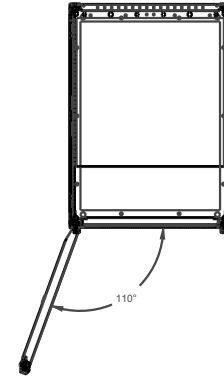
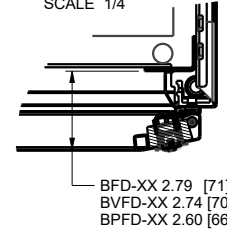


# BGR SERIES

## DOOR BASIC DIMENSIONS



CLEARANCE FROM FRONT OF  
RAIL TO INSIDE OF DOOR  
SECTION B-B  
SCALE 1/4



SWING HANDLE INSTALLED IN  
25MMX150MM CUTOUT

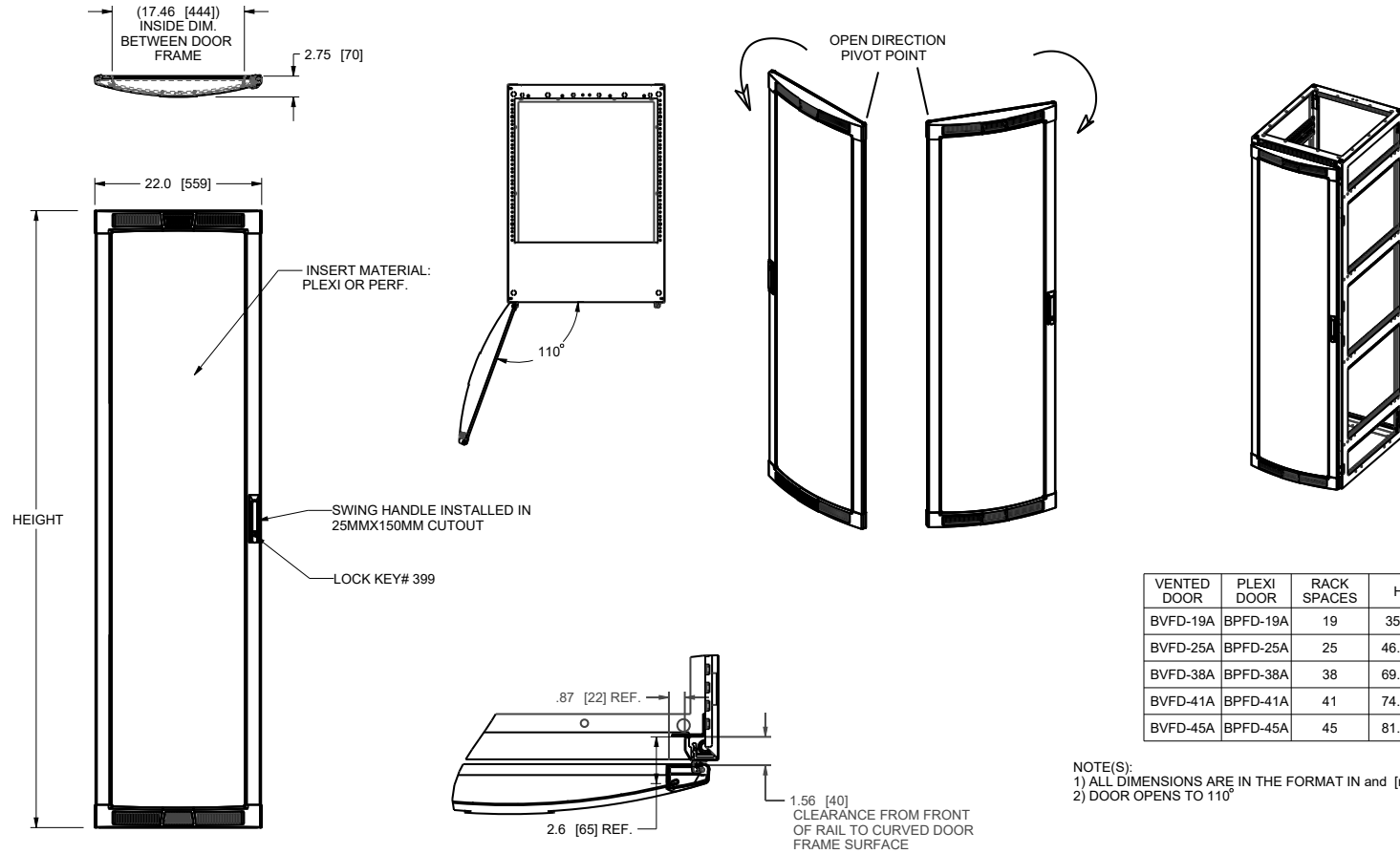
LOCK KEY# 399

SOLID DOOR	VENTED DOOR	PLEXI DOOR	RACK SPACES	HEIGHT
BFD-19	BVFD-19	BPFD-19	19	36.22 [920]
BFD-25	BVFD-25	BPFD-25	25	46.72 [1187]
BFD-38	BVFD-38	BPFD-38	38	69.47 [1765]
BFD-41	BVFD-41	BPFD-41	41	74.72 [1898]
BFD-45	BVFD-45	BPFD-45	45	81.72 [2076]

NOTE(S):  
1) ALL DIMENSIONS ARE IN THE FORMAT IN [MM]  
2) DOOR OPENS TO 110°

# BGR SERIES

## DOOR BASIC DIMENSIONS



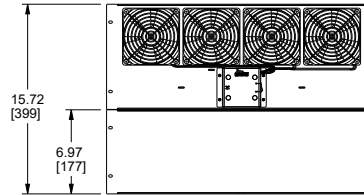
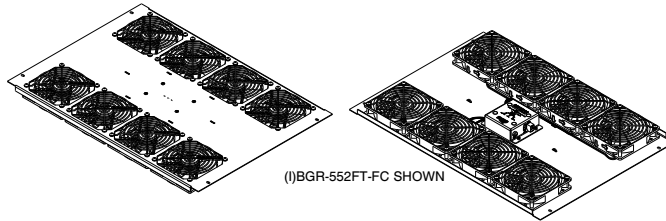
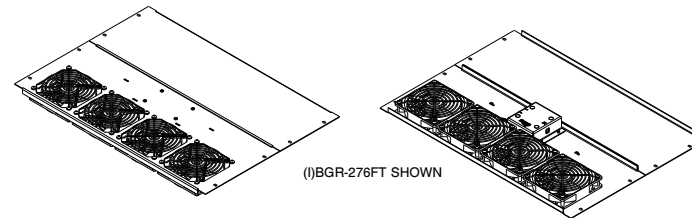
VENTED DOOR	PLEXI DOOR	RACK SPACES	HEIGHT
BVFD-19A	BPFD-19A	19	35.97 [913]
BVFD-25A	BPFD-25A	25	46.47 [1180]
BVFD-38A	BPFD-38A	38	69.22 [1758]
BVFD-41A	BPFD-41A	41	74.47 [1891]
BVFD-45A	BPFD-45A	45	81.47 [2069]

NOTE(S):  
 1) ALL DIMENSIONS ARE IN THE FORMAT IN and [mm]  
 2) DOOR OPENS TO 110°

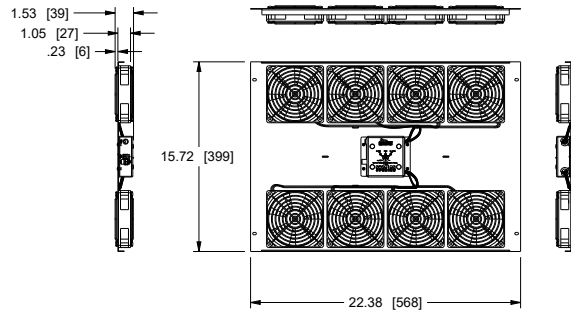
# BGR SERIES

## FAN TOP BASIC DIMENSIONS

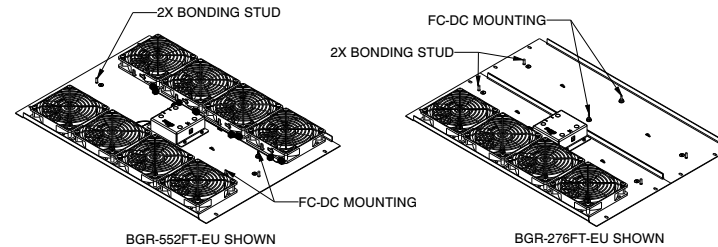
PART NUMBER	FAN CONTROL	FAN QUANTITY	AIRFLOW CFM [M3/MIN]	NOISE @ FULL SPEED	CURRENT DRAW
(I)BGR-276FT		4	276 [7.8]	35 dBA	620mA @ 12VDC
(I)BGR-276FT-FC	X	4	276 [7.8]	35 dBA	620mA @ 12VDC
(I)BGR-552FT		8	552 [15.6]	38 dBA	1.24A @ 12VDC
(I)BGR-552FT-FC	X	8	552 [15.6]	38 dBA	1.24A @ 12VDC
BGR-276FT-EU		4	276 [7.8]	35 dBA	620mA @ 12VDC
BGR-552FT-EU		8	552 [15.6]	38 dBA	1.24A @ 12VDC



NOTE(S):  
 1. ALL DIMENSIONS SHOWN IN [MM]  
 2. TURN ON TEMPERATURE FOR FAN CONTROLLED MODELS CAN BE SET AT 75F (24C), 80F (27C), 85F (29C), OR 90F (32C). ALARM CAN BE SET AT 95F (35C) OR 100F (38F).  
 3. "I" PREFIX INDICATES INTERNATIONAL FAN TOP MODELS.  
 "-EU" SUFFIX INDICATES EUROPEAN FAN TOP MODELS.  
 INTERNATIONAL & EUROPEAN MODELS COME WITH A UNIVERSAL VOLTAGE PLUG-IN POWER SUPPLY AND ADAPTERS.



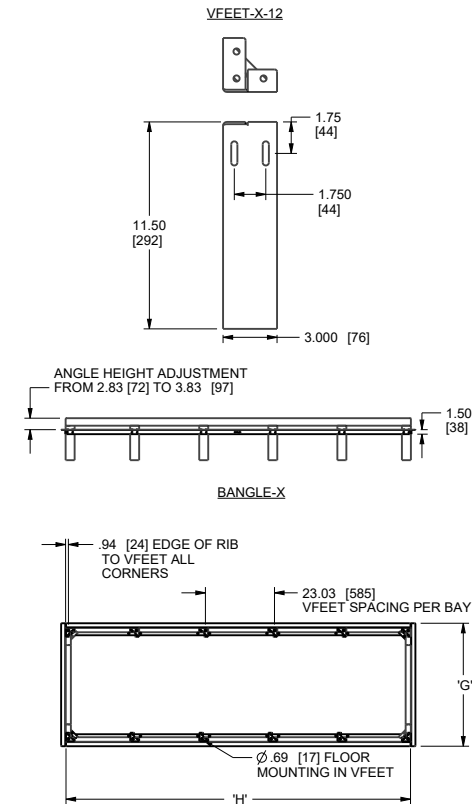
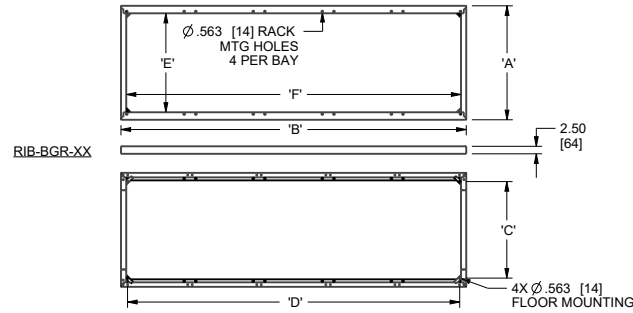
BGR-276FT-EU & BGR-552FT-EU ONLY



# BGR SERIES

## RISER BASE BASIC DIMENSIONS

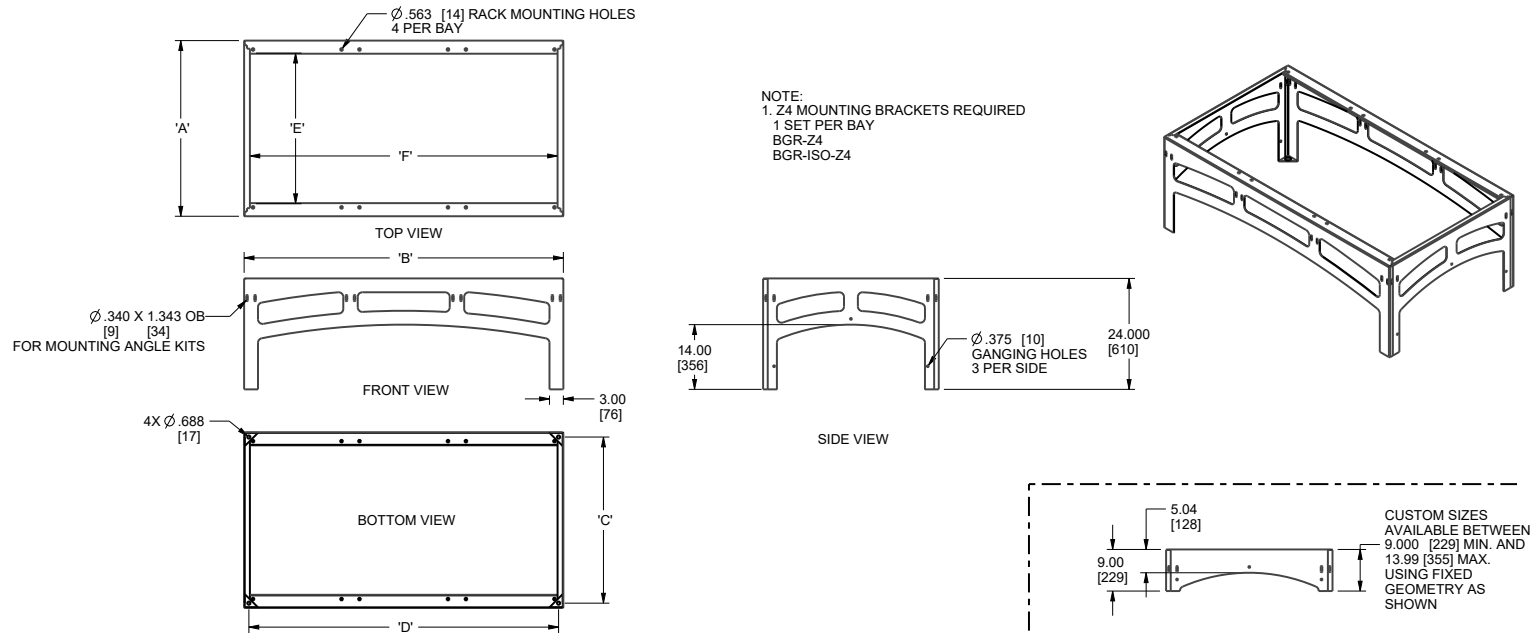
NOTE(S):  
1. DIMENSION FORMAT SHOWN IN [MM]  
2. 27", 32" AND 38" DEEP MODELS ARE REPRESENTED IN THIS DRAWING.  
(RIB-X-BGR-27 / RIB-X-BGR-32 / RIB-X-BGR-38)



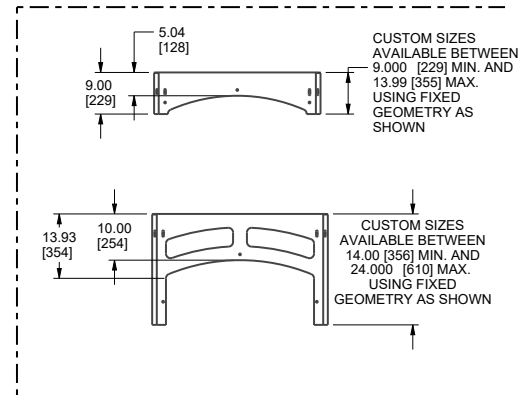
PART NUMBER	'A' DEPTH	'B' WIDTH	'C' DEPTH MTNG HOLE C TO C	'D' WIDTH MTNG HOLE C TO C	'E' OPENING DEPTH	'F' OPENING WIDTH	VFEET (QTY OF FEET)	ANGLE	'G' ANGLE DEPTH	'H' ANGLE WIDTH
RIB-1-BGR-27	27.00 [686]	23.00 [584]	21.18 [538]	18.62 [473]	22.00 [559]	19.5 [495]	VFEET-1-12 (4)	BANGLE-1	30.00 [762]	22.75 [578]
RIB-1-BGR-32	32.00 [813]	23.00 [584]	26.18 [665]	18.62 [473]	27.00 [686]	19.5 [495]	VFEET-1-12 (4)	BANGLE-1	30.00 [762]	22.75 [578]
RIB-1-BGR-38	38.00 [965]	23.00 [584]	32.18 [817]	18.62 [473]	33.00 [838]	19.5 [495]	VFEET-1-12 (4)	BANGLE-1-38	41.00 [1041]	22.75 [578]
RIB-2-BGR-27	27.00 [686]	46.03 [1169]	21.18 [538]	41.65 [1058]	22.00 [559]	42.53 [1080]	VFEET-2-12 (6)	BANGLE-2	30.00 [762]	45.78 [1163]
RIB-2-BGR-32	32.00 [813]	46.03 [1169]	26.18 [665]	41.65 [1058]	27.00 [686]	42.53 [1080]	VFEET-2-12 (6)	BANGLE-2	30.00 [762]	45.78 [1163]
RIB-2-BGR-38	38.00 [965]	46.03 [1169]	32.18 [817]	41.65 [1058]	33.00 [838]	42.53 [1080]	VFEET-2-12 (6)	BANGLE-2-38	41.00 [1041]	45.78 [1163]
RIB-3-BGR-27	27.00 [686]	69.06 [1754]	21.18 [538]	64.68 [1643]	22.00 [559]	65.56 [1665]	VFEET-3-12 (8)	BANGLE-3	30.00 [762]	68.81 [1748]
RIB-3-BGR-32	32.00 [813]	69.06 [1754]	26.18 [665]	64.68 [1643]	27.00 [686]	65.56 [1665]	VFEET-3-12 (8)	BANGLE-3	30.00 [762]	68.81 [1748]
RIB-3-BGR-38	38.00 [965]	69.06 [1754]	32.18 [817]	64.68 [1643]	33.00 [838]	65.56 [1665]	VFEET-3-12 (8)	BANGLE-3-38	41.00 [1041]	68.81 [1748]
RIB-4-BGR-27	27.00 [686]	92.09 [2339]	21.18 [538]	87.71 [2228]	22.00 [559]	88.59 [2250]	VFEET-4-12 (10)	BANGLE-4	30.00 [762]	91.84 [2333]
RIB-4-BGR-32	32.00 [813]	92.09 [2339]	26.18 [665]	87.71 [2228]	27.00 [686]	88.59 [2250]	VFEET-4-12 (10)	BANGLE-4	30.00 [762]	91.84 [2333]
RIB-4-BGR-38	38.00 [965]	92.09 [2339]	32.18 [817]	87.71 [2228]	33.00 [838]	88.59 [2250]	VFEET-4-12 (10)	BANGLE-4-38	41.00 [1041]	91.84 [2333]
RIB-5-BGR-27	27.00 [686]	115.12 [2924]	21.18 [538]	110.74 [2813]	22.00 [559]	111.62 [2835]	VFEET-5-12 (12)	BANGLE-5	30.00 [762]	114.87 [2918]
RIB-5-BGR-32	32.00 [813]	115.12 [2924]	26.18 [665]	110.74 [2813]	27.00 [686]	111.62 [2835]	VFEET-5-12 (12)	BANGLE-5	30.00 [762]	114.87 [2918]
RIB-5-BGR-38	38.00 [965]	115.12 [2924]	32.18 [817]	110.74 [2813]	33.00 [838]	111.62 [2835]	VFEET-5-12 (12)	BANGLE-5-38	41.00 [1041]	114.87 [2918]

# BGR SERIES

## SEISMIC RISER BASE BASIC DIMENSIONS



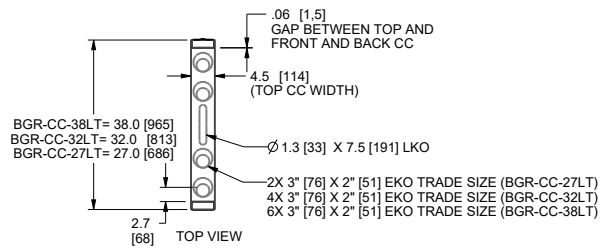
PART NUMBER	'A' DEPTH	'B' WIDTH	'C' DEPTH MTNG HOLE C TO C	'D' WIDTH MTNG HOLE C TO C	'E' OPENING DEPTH	'F' OPENING WIDTH	ANGLE KITS
SRB-1-BGR-3224	32.00 [813]	23.00 [584]	29.94 [761]	20.94 [532]	26.58 [675]	20.50 [521]	BANGLE-1
SRB-2-BGR-3224	32.00 [813]	46.03 [1169]	29.94 [761]	43.97 [1117]	26.58 [675]	43.53 [1106]	BANGLE-2
SRB-3-BGR-3224	32.00 [813]	69.06 [1754]	29.94 [761]	67.00 [1702]	26.58 [675]	66.56 [1691]	BANGLE-3
SRB-1 BGR-3824	38.00 [965]	23.00 [584]	35.94 [913]	20.94 [532]	32.58 [828]	20.50 [521]	BANGLE-1-38
SRB-2-BGR-3824	38.00 [965]	46.03 [1169]	35.94 [913]	43.97 [1117]	32.58 [828]	43.53 [1106]	BANGLE-2-38
SRB-3-BGR-3824	38.00 [965]	69.06 [1754]	35.94 [913]	67.00 [1702]	32.58 [828]	66.56 [1691]	BANGLE-3-38



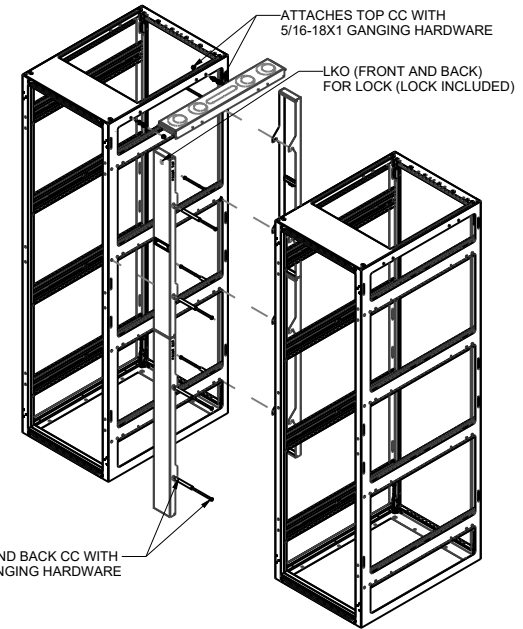
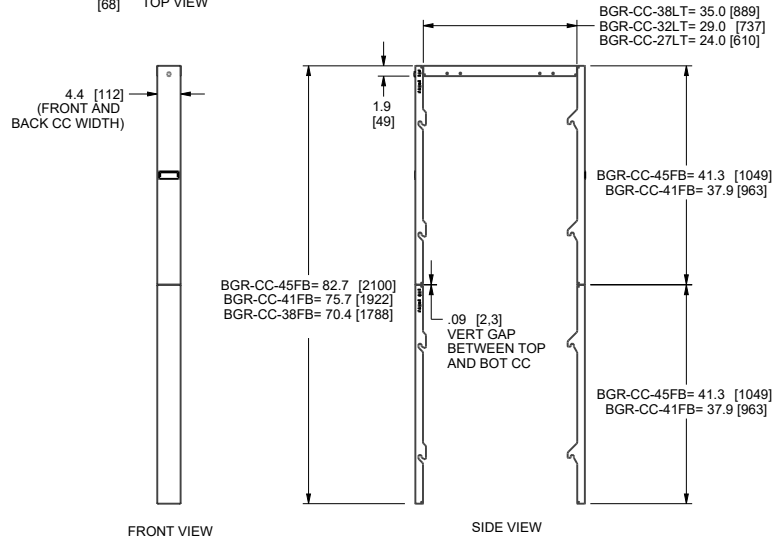


# BGR SERIES

## CABLE CHASE BASIC DIMENSIONS



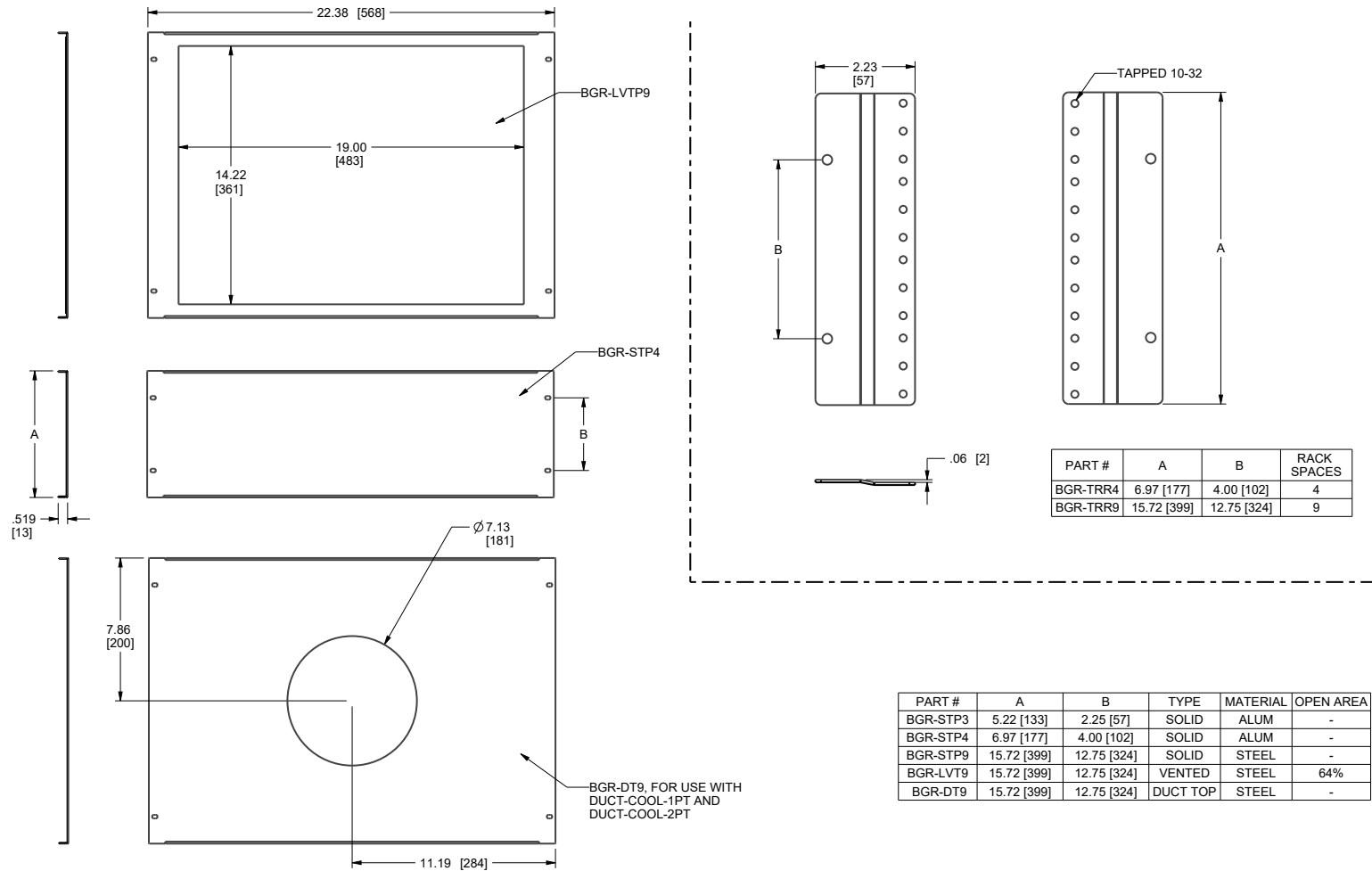
PART #	USED ON
BGR-CC-45FB	BGR-45XX, BGR-45SA-XX
BGR-CC-41FB	BGR-41XX, BGR-41SA-XX
BGR-CC-38FB	BGR-38XX, BGR-38SA-XX
BGR-CC-38LT	BGR-XX38
BGR-CC-32LT	BGR-XX32, BGR-XXSA-32
BGR-CC-27LT	BGR-XX27, BGR-XXSA-27



NOTE:  
DIMENSION FORMAT SHOWN IN [MM]  
BGR-CC-45FB, BGR-CC-41FB INCLUDES FOUR PIECES AND  
BGR-CC-38FB INCLUDES TWO PIECES.  
LKO = LASER KNOCKOUT  
EKO = ELECTRICAL KNOCKOUT

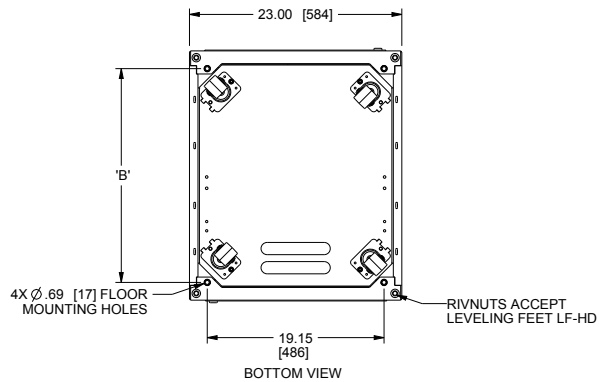
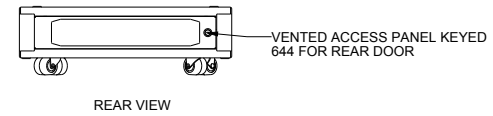
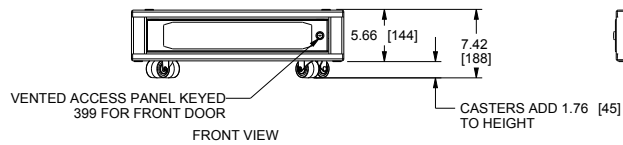
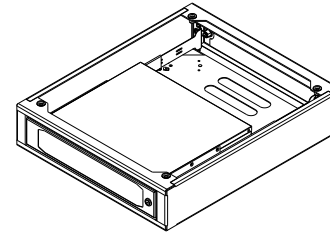
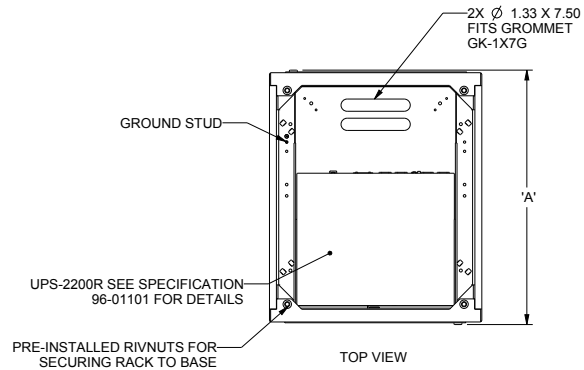
# BGR SERIES

## TOP PANEL / RAIL BASIC BASIC DIMENSIONS



# BGR SERIES

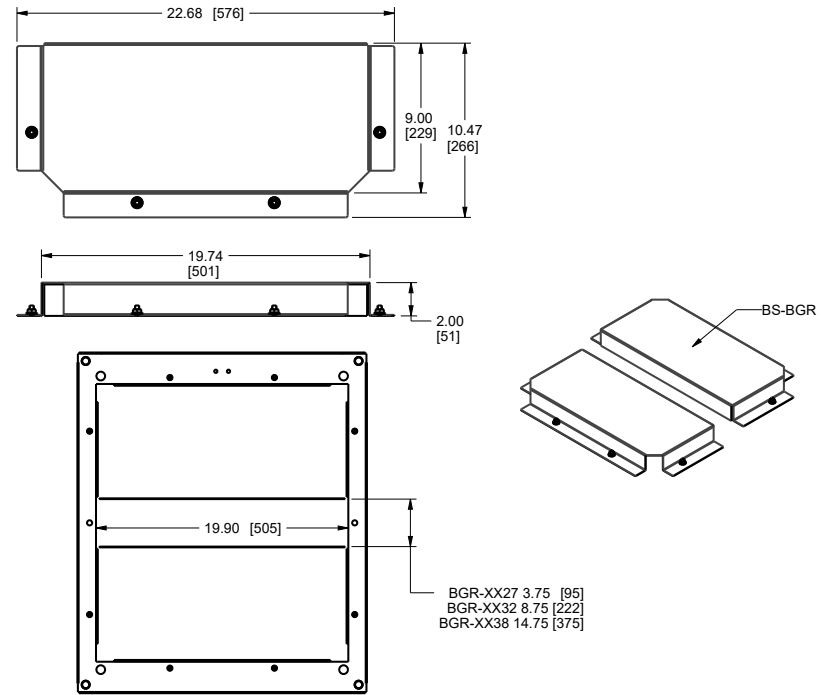
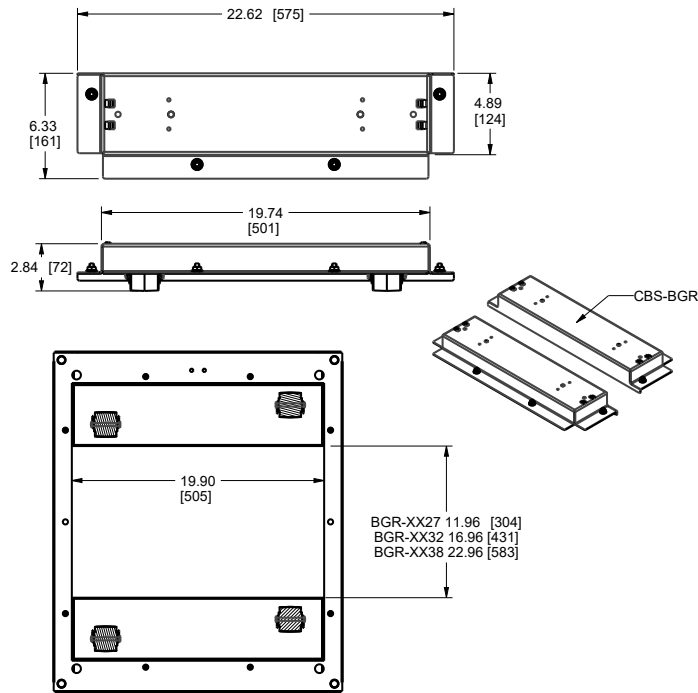
## UPS BASE BASIC DIMENSIONS



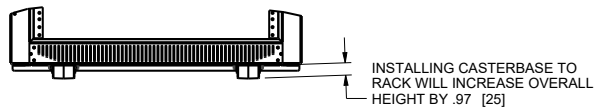
MODEL	'A' DEPTH	'B' FLOOR MOUNTING DEPTH	CASTERS	INCLUDED UPS
FWD-BS-2KVA-BGR27	27.56 [700]	23.16 [588]	NO	UPS-2200R
FWD-BS-2KVA-BGR32	32.56 [827]	28.16 [715]	NO	UPS-2200R
FWD-BS-2KVA-BGR38	38.56 [979]	34.16 [868]	NO	UPS-2200R
FWD-CBS-2KVA-BGR27	27.56 [700]	23.16 [588]	YES	UPS-2200R
FWD-CBS-2KVA-BGR32	32.56 [827]	28.16 [715]	YES	UPS-2200R
FWD-CBS-2KVA-BGR38	38.56 [979]	34.16 [868]	YES	UPS-2200R

# BGR SERIES

## CASTER BASE / INNER PLATFORM BASIC DIMENSIONS

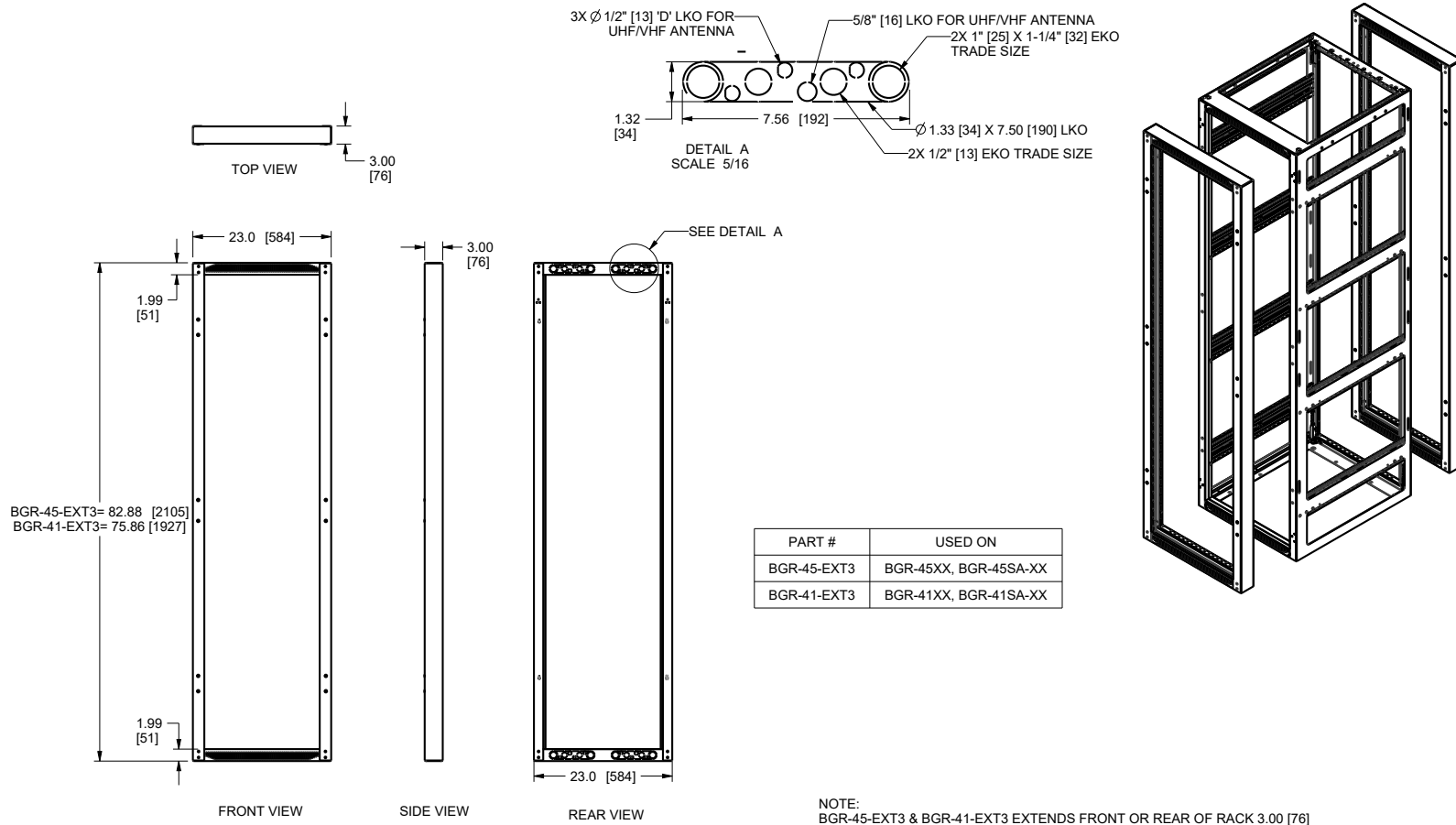


NOTE(S):  
1) DIMENSIONS SHOWN IN THE FORMAT OF IN [mm].



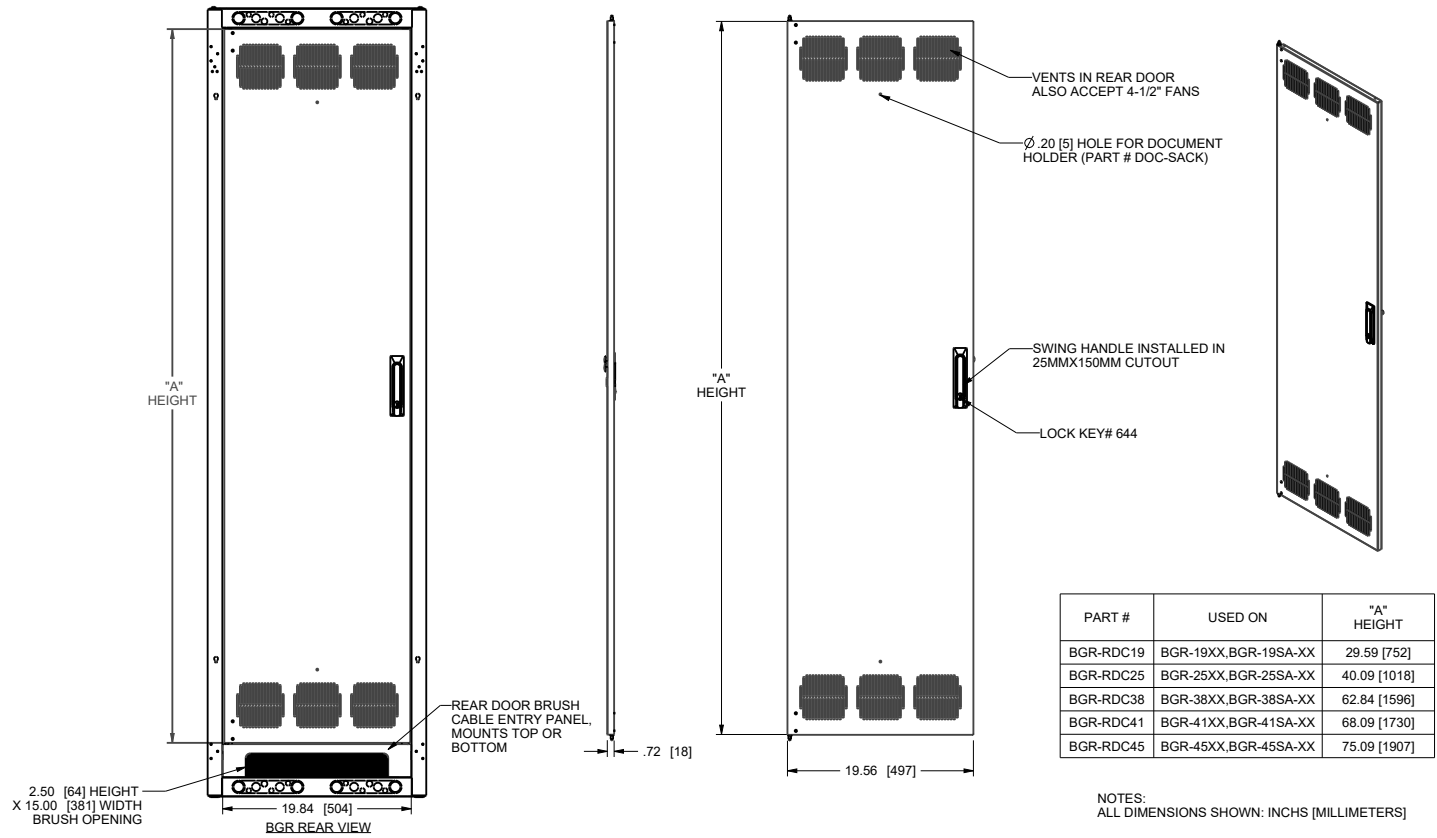
# BGR SERIES

## FRONT / REAR EXTENDER BASIC DIMENSIONS



# BGR SERIES

## CABLE ENTRY REAR DOOR BASIC DIMENSIONS



LEGRAND | AV COMMERCIAL BRANDS  
C2G | Chief | Da-Lite | Luxul | Middle Atlantic | Vaddio | Wiremod

WHAT GREAT SYSTEMS ARE BUILT ON™ | [legrandav.com](http://legrandav.com)

USA 800.266.7225 [av.middleatlantic.support@legrand.com](mailto:av.middleatlantic.support@legrand.com) CANADA 888.766.9770 [av.middleatlantic.support@legrand.com](mailto:av.middleatlantic.support@legrand.com)

©2022 Legrand AV Inc. 220259 Rev B 5/22 Middle Atlantic is a registered trademark of Legrand AV Inc. All other brand names or marks are used for identification purposes and are trademarks of their respective owners. All patents are protected under existing designations. Other patents pending.