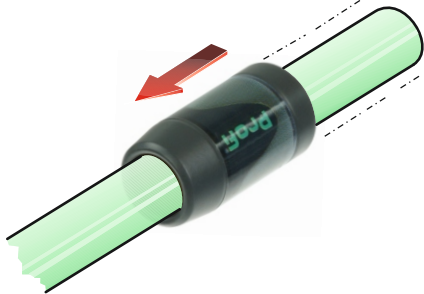




# ASSEMBLY INSTRUCTION

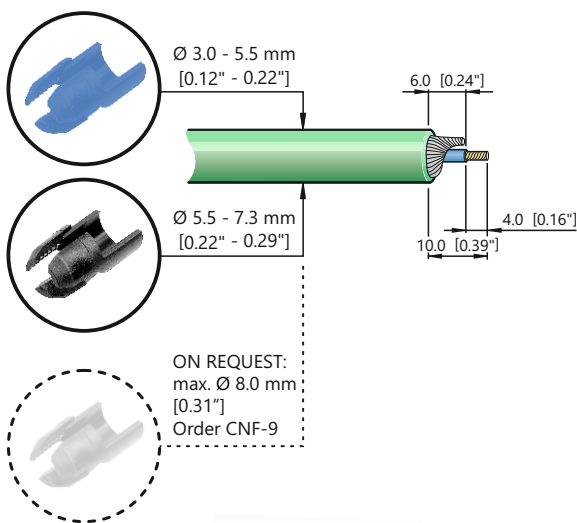
## NF2C-B/2 | Profi® the Professional Phono Plug

A



A Slide the boot onto the cable.

B



B Prepare cable as shown.

C Solder the wire ends.

D Put chuck onto the cable.

### Attention:

Blue or black chuck for two range of cable diameter.

(White chuck on request: For max. 8 mm available.)

E Slide insert and chuck together to the housing.

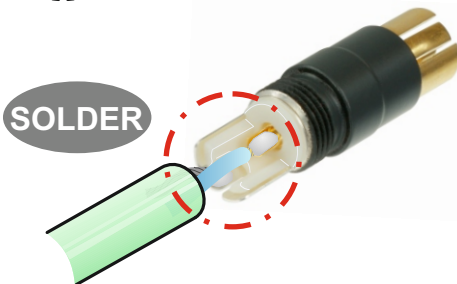
Attention: Pay attention to the guiding key.

F Finish the installation by tighten the bushing onto the connector.

### SCOPE OF DELIVERY - NF2C-B/2

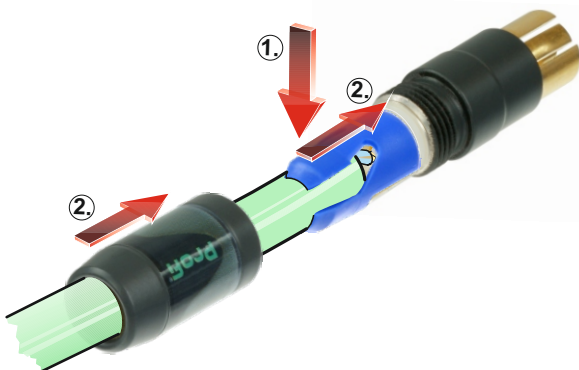
- 1 x Phono Plug marked red
- 1 x Phono Plug marked black
- 2 x Strain reliefs for cable O.D. 3.0 - 5.5 mm
- 2 x Strain reliefs for cable O.D. 5.5 - 7.3 mm

C

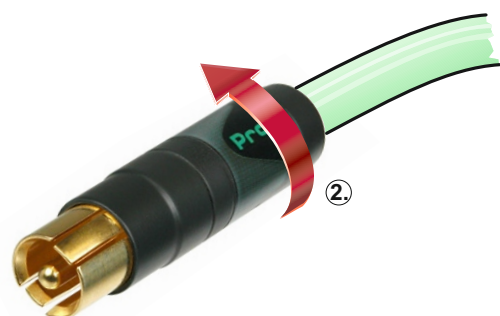


D

E



F



Draft. Nr.: BDA 236 V3  
Update: 2023-01-25

Neutrik AG | LI-9494 Schaan

[www.neutrik.com](http://www.neutrik.com)

Data subject to change without prior notice. © 2023 NEUTRIK®. NEUTRIK® are registered trademark of Neutrik AG. ALL RIGHTS RESERVED.

**NEUTRIK**  
A brand of the Neutrik Group