

NDE-8513-R Fixed dome 6MP HDR 3.9-10mm PTRZ IP66

FLEXIDOME IP starlight 8000i



- ▶ Motorized Pan, Tilt, Roll, and Zoom (PTRZ) to set the required field of view, without having to touch the camera or lens allows for remote configuration and commissioning
- ▶ 1/1.8" 6MP sensor and starlight technology to provide detailed images even in extreme low-light situations
- ▶ High Dynamic Range to see every detail in both bright and dark areas of the scene
- ▶ Built-in Intelligent Video Analytics with object detection to trigger alerts and quickly retrieve data with the highest levels of reliability
- ▶ Camera Trainer to train the camera to recognize user-specified target objects for both moving and non-moving objects

The FLEXIDOME IP starlight 8000i - 6MP performance line camera offers a 1/1.8" sensor, starlight performance and High Dynamic Range with 6 megapixel resolution to provide crisp and highly detailed images even in extreme low-light situations. The camera's remote commissioning functionality makes sure installation and commissioning can be done in very little time. Using a PC or a mobile device with the Bosch Project Assistant app, you can pan, tilt, roll and zoom (PTRZ) and point the camera to the required field of view with a single click - without ever having to touch the camera or lens.

Functions

Full Remote Commissioning

Installing a professional IP video surveillance camera has never been so easy. In fact, as an installer, you'll never want to go back to the old methods of installing cameras again. We've simplified the installation and commissioning stages to such a degree that they can be done in very little time.

With the FLEXIDOME IP starlight 8000i camera's remote commissioning functionality there's no need to go up and down ladders. Using a PC or a mobile device with the Bosch Project Assistant app, you can pan, tilt, roll and zoom (PTRZ) and point the camera to the required field of view with a single click - without ever having to touch the camera or lens. Remote configuration and commissioning can also be done at a later stage once all cameras have been installed. Simply connect to the camera remotely via the network using the Bosch Project Assistant app, the camera's web interface, or the Bosch Configuration Manager.

Fast performance

The high sensor resolution together with a frame rate of 30 frames per second makes this camera an ideal solution for capturing fast moving objects in high detail and, at the same time, providing situational awareness.

Starlight performance

The latest sensor technology combined with the sophisticated image processing and noise suppression results in an exceptional sensitivity in color. The low-

light performance is so good that the camera continues to provide excellent color performance even with a minimum of ambient light.

High Dynamic Range

The high dynamic range mode is based on a multiple-exposure process that captures more details in the highlights and in the shadows even in the same scene. The result is that you can easily distinguish objects and features, for example, faces with bright backlight. The actual dynamic range of the camera is measured using Opto-Electronic Conversion Function (OECF) analysis according to IEC 62676 Part 5.

Scene modes

Nine configurable modes are provided with the best settings for a variety of applications. In one click fully optimized image settings can be selected to suit the conditions. Different scene modes can be selected for different situations such as traffic or retail environments.

Intelligent streaming

Smart encoding capabilities, together with Intelligent Dynamic Noise Reduction technology and analytics, reduce the bandwidth consumption to extremely low levels. Only relevant information in the scene, like motion, or objects found with the analytics, need to be encoded.

The camera is capable of quad streaming which allows the camera to deliver independent, configurable streams for live viewing, recording, or remote monitoring via constrained bandwidths.

Each of these streams can be adapted independently to deliver high quality video, perfectly tailored to purpose, while reducing bit rate by up to 90% compared to a standard camera.

H.265 high-efficiency video encoding

The camera is designed on the most efficient and powerful H.264 and H.265/HEVC encoding platform. The camera is capable of delivering high-quality and high-resolution video with very low network load. With a doubling of encoding efficiency, H.265 is the compression standard of choice for IP video surveillance systems.

Bitrate optimized profile

The average bitrate for the bitrate optimized profile using H.265 encoding in kbps for different frame rates can be found in the table provided below.

| FPS at 6MP | Low activity | Medium activity | High activity |
|------------|--------------|-----------------|---------------|
| 30 | 1632 | 2438 | 5335 |
| 25 | 1430 | 2143 | 4666 |
| 15 | 990 | 1494 | 3214 |
| 10 | 741 | 1123 | 2397 |
| 5 | 453 | 692 | 1458 |

| FPS at 6MP | Low activity | Medium activity | High activity |
|------------|--------------|-----------------|---------------|
| 3 | 316 | 485 | 1014 |
| 1 | 146 | 227 | 468 |

i Notice

Actual bitrate values may vary depending on scene complexity/activity and picture settings.

Recording and storage management

Recording management can be controlled by the Bosch Video Recording Manager application, or the camera can use local storage and iSCSI targets directly without any recording software.

Local storage can be used for recording "at the edge" or for Automatic Network Replenishment (ANR) technology to improve the overall recording reliability. Pre-alarm recording in RAM reduces bandwidth consumption on the network and extends the effective life of the memory card.

Advanced edge recording

Advanced edge recording provides the most reliable storage solution possible due to the combination of the following functionalities:

- Dual SD cards that can be set up as either:
 - Mirrored, for redundant storage
 - Failover, for extended service intervals
 - Extended, for maximum retention time
- Industrial SD card support allows for extreme lifetime
- Health monitoring of industrial SD cards provide early service indications

Intelligent Video Analytics on the edge

The camera includes the latest release of the Intelligent Video Analytics application from Bosch. Specifically designed for the most demanding environments. It delivers the highest levels of accuracy for mission-critical applications such as perimeter protection of airports, critical infrastructures and government buildings, border patrol, ship tracking and traffic monitoring (e.g. wrong-way detection, traffic counts, monitoring roadsides for parked cars).

Intelligent Video Analytics is extremely resistant to false triggers caused by challenging environments with snow, wind (moving trees), rain, hail, and water reflections. It is ideal for providing automatic object detection over large distances.

The set-up of Bosch's video analytics is also second to none, which is great news for installers. Should your customer decide to use Intelligent Video Analytics, configuration and calibration couldn't be easier. Simply enter the height of the camera and the rest of the calibration is carried out by the video analytics itself based on information provided by the camera's built-in gyro sensor.

Camera Trainer

Based on examples of target objects and non-target objects, the Camera Trainer program uses machine learning to allow the user to define objects of interest and generate detectors for them. In contrast to the moving objects that the Intelligent Video Analytics application detects, the Camera Trainer program detects both moving and non-moving objects and classifies them immediately. Using Configuration Manager, you can configure the Camera Trainer program using both live video as well as recordings available through the respective camera. The resulting detectors can be downloaded and uploaded for distribution to other cameras.

A free of charge license is required to activate the Camera Trainer program.

DORI coverage

DORI (Detect, Observe, Recognize, Identify) is a standard system (EN-62676-4) for defining the ability of a person viewing the video to distinguish persons or objects within a covered area. The maximum distance at which a camera/lens combination can meet these criteria is shown below:

6 MP Camera with 3.9 mm - 10 mm lens or 12 mm - 40 mm lens

| DORI | DORI definition | Distance | Distance | Horizontal width |
|-----------|-----------------|-----------------|--------------------------|------------------|
| | | 3.9 mm / 10 mm | 12 mm / 40 mm | |
| Detect | 25 px/m | 40 m / 162 m | 201 m / | 131 m |
| | 8 px/ft | 125 ft / 505 ft | 591 m / 628 ft / 1848 ft | |
| Observe | 63 px/m | 16 m / 64 m | 80 m / 235 m | 52 m |
| | 19 px/ft | 53 ft / 213 ft | 264 ft / 778 ft | |
| Recognize | 125 px/m | 8 m / 32 m | 40 m / 118 m | 26 m |
| | 38 px/ft | 26 ft / 106 ft | 132 ft / 389 ft | |
| Identify | 250 px/m | 4 m / 16 m | 20 m / 59 m | 13 m |
| | 76 px/ft | 13 ft / 53 ft | 66 ft / 195 ft | |

Data security

Special measures ensure the highest level of security for device access and data transport. On initial setup, the camera is only accessible over secure channels and enforces a password. Web browser and viewing client access can be protected using HTTPS or other secure protocols that support state-of-the-art TLS 1.2 with updated cipher suites including AES encryption with 256 bit keys. No software can be installed in the camera, and only authenticated firmware can be

uploaded. A three-level password protection with security recommendations allows users to customize device access.

Network and device access can be protected using 802.1x network authentication with EAP/TLS. Superior protection from malicious attacks is guaranteed by the Embedded Login Firewall, on-board Trusted Platform Module (TPM) and Public Key Infrastructure (PKI) support.

The advanced certificate handling offers:

- Self-signed unique certificates automatically created when required
- Client and server certificates for authentication
- Client certificates for proof of authenticity
- Certificates with encrypted private keys

System integration and ONVIF conformance

The camera conforms to the ONVIF Profile S, ONVIF Profile G, ONVIF Profile M, and ONVIF Profile T specifications. For H.265 configuration, the camera supports Media Service 2, which is part of ONVIF Profile T. Compliance with these standards guarantees interoperability between network video products regardless of manufacturer.

Third-party integrators can easily access the internal feature set of the camera for integration into large projects. Visit the Bosch Integration Partner Program (IPP) website (ipp.boschsecurity.com) for more information.

Universal accessories

A full line of universal accessories are available that allow a consistent design across different platforms and a wide range of installation possibilities. Several dedicated accessories are available that seamlessly fit to the camera and expand the different installation options over previous generations. Available options include: a paintable cover, an on-camera weather protector, a clear or tinted replacement bubble, in-ceiling mounting kits, a surveillance cabinet with power and fiber optic options and different mounting options.

Regulatory information

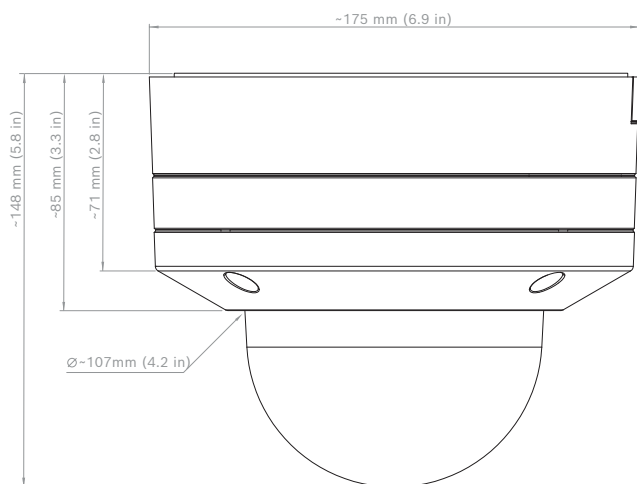
| Standards | Type |
|---------------|--|
| Emission | EN 301 489-1, EN 50121-4 (EN 55016-2-1, EN 61000-4-2, EN 61000-4-3, EN 61000-4-4, EN 61000-4-5, EN 61000-4-6), CFR 47 FCC, part 15, Class B, AS/NZS CISPR 32 |
| Immunity | EN 301 489-1, EN 50130-4 (EN 61000-4-2, EN 61000-4-3, EN 61000-4-4, EN 61000-4-5, EN 61000-4-6), EN 50121-4 (EN 55016-2-1, EN 61000-4-2, EN 61000-4-3, EN 61000-4-4, EN 61000-4-5, EN 61000-4-6) |
| Environmental | EN 50130-5 Class IVA (EN 60068-2-2, EN 60068-2-5, EN 60068-2-6, EN 60068-2-18, EN 60068-2-27, EN 60068-2-30, EN 60068-2-42, EN 60068-2-52, EN 60068-2-75, |

| Standards | Type |
|-----------------------|--|
| | EN 60068-2-78, EN 60529), UL 2043 when combined with NDA-8001-PLen, Nema TS 2 Section 2 |
| Safety | EN 62368-1, EN 60950-22, UL 62368-1, UL 60950-22, CSA C22.2 No. 62368-1-14, CAN/CSA-C22.2 No. 60950-22:07 |
| Image performance | IEC 62676-5 |
| HD | SMPTE 296M-2001 (Resolution: 1280x720) SMPTE 274M-2008 (Resolution: 1920x1080) |
| Color representation | ITU-R BT.709-6 |
| ONVIF conformance | EN 50132-5-2, EN 62676-2 |
| Impact protection | EN 62262 (IK10) |
| Water/dust protection | EN 60529 (IP66), ISO 20653 (IP6K9K), UL50E (Type 4X), UL 60950-22 |
| Environment | 2011/65/EU RoHS (EN 50581 and EN IEC 63000), 1999/45/EC and 1907/2006 REACH, 2012/19/EU WEEE, 94/62/EC Packaging |
| Marks | CE, cULus, WEEE, RCM, China RoHS, Cmm, UKCA |

| Region | Regulatory compliance/quality marks | |
|---------------|-------------------------------------|-------------------------------|
| Great Britain | UKCA | FLEXIDOME IP startlight 8000i |
| Europe | CE | FLEXIDOME IP starlight 8000i |

Installation/configuration notes

Dimensions



Parts included

| Quantity | Component |
|----------|---------------------------|
| 1 | FLEXIDOME IP 8000i camera |
| 1 | T-20 security Torx bit |

| Quantity | Component |
|----------|--|
| 1 | Quick installation guide |
| 1 | Safety information |
| 2 | Rubber grommet for the Ethernet cable |
| 1 | Network patch cable 50 cm |
| 1 | 10-pin I/O connector |
| 1 | 2-pin power connector |
| 1 | Cable conduit for side entry |
| 1 | Washer for cable conduit |
| 1 | Adapter plate for cable conduit (Ø 3/4" / M25) |
| 1 | Adapter plate for cable conduit (Ø 1/2" / M20) |
| 3 | Identification label |

Technical specifications

Electrical

| | |
|---------------------------|-----------------|
| Input voltage (VDC) | 12 VDC – 26 VDC |
| Nominal voltage (VAC) | 24 VAC |
| PoE nominal voltage (VDC) | 10 VDC |

Sensor

| | |
|-----------------------------|-------------------|
| Sensor type | 1/1.8 inch CMOS |
| Effective pixels (H x V px) | 3264 px x 1840 px |

Optical

| | |
|------------------------|---------------------------------|
| Field of View wide (°) | 44° – 117° |
| Field of View tele (°) | 24° – 62° |
| Lens focal length (mm) | 3.90 mm – 10 mm |
| Lens aperture (/F) | 1.50 /F – 2.70 /F |
| Backlight compensation | Intelligent Auto Exposure (IAE) |

Video functions

| | |
|----------------------|--|
| Camera functionality | Mirror image; Intelligent dynamic noise reduction; Contrast enhancement; Sharpness |
|----------------------|--|

| | |
|---|--|
| | enhancement; Intelligent defog; Camera view wizard; Saturation; Brightness |
| Minimum illumination in color (lx) | 0.04 lx |
| Minimum illumination in monochrome (lx) | 0.0059 lx |
| Number of privacy masks | 8 |
| White balance (K) | 2500 K – 10000 K |
| Day/night modes | Auto (adjustable switch points); Color; Monochrome |
| Scene modes with scheduler | Traffic; Night optimized; Vibrant; Low bitrate; Sports & gaming; Retail; License plate recognition |
| Shutter modes | Automatic Electronic Shutter (AES); Default shutter |
| Wide dynamic range (WDR) (dB) | 107 dB |
| Display stamping | Name; Logo; Date/time; Alarm message |

Video streaming

| | |
|---|---|
| Frame rate (fps) | 1 fps – 30 fps |
| GOP structure | IP |
| Number of encoder output streams | Multiple configurable streams in H.265; H.264 and M-JPEG; Configurable framerate and bandwidth; Region of Interest (ROI); Bosch Intelligent Streaming |
| Resolution | 1920 x 1080; 1280 x 1024; 1280 x 720; 704 x 480; 854 x 480; 3072 x 1728; 1920 x 1440; 3264 x 1840 |
| Video compression | H.264 (ISO/IEC 14496-10); M-JPEG; H.265/HEVC |
| Video stream signal-to-noise ratio (dB) | >55 dB |

Video content analysis

| | |
|----------------|--|
| Alarm triggers | Any object; Object in field; Line crossing; Enter / leave field; Loitering; Follow route; Idle / removed object; Counting; Occupancy; Crowd density estimation; Condition change; Similarity search; Flow / counter flow |
|----------------|--|

| | |
|----------------|---|
| Configurations | Silent VCA; Profile 1; Profile 2; Scheduled; Event triggered |
| Object filters | Duration; Size; Aspect ratio; Speed; Direction; Color; Object classes (4) |
| Tracking modes | Standard (2D) tracking; 3D tracking; 3D people tracking; Ship tracking; Museum mode |
| Analysis type | Intelligent Video Analytics |

Capacity

| | |
|----------------|----------|
| Alarm inputs | 2 |
| Alarm outputs | 1 |
| Host interface | Ethernet |

Audio

| | |
|-------------------------------|---|
| Audio streaming | Full duplex; Half duplex |
| Compression and sampling rate | G.711 8 kHz; L16 16 kHz; AAC-LC 80kbps 16 kHz; AAC-LC 48kbps 16 kHz |

Storage

| | |
|------------------|-----------|
| Recording mode | Pre-alarm |
| Internal storage | RAM |

Data security

Network

| | |
|----------------|--|
| Cloud services | Dropbox |
| Ethernet type | 10/100BASE-T; Auto-sensing; Full / half duplex |
| Wi-Fi standard | IEEE 802.11n; IEEE 802.11g; IEEE 802.11b |

System integration

| | |
|-----------------------|---|
| Conformity | ONVIF Profile S; ONVIF Profile G; ONVIF Profile T; Auto-MDIX |
| Protocols / standards | IPv4; IPv6; UDP; TCP; HTTP; HTTPS; RTP/RTCP; IGMP V2/V3; ICMP; ICMPv6; RTSP; FTP; ARP; DHCP; APIPA (Auto-IP, link local address); NTP (SNTP); SNMP (V1, MIBII); SNMP (V3, MIBII); 802.1x, EAP/TLS; DNS; DNSv6; DDNS (DynDNS.org, selfHOST.de, no- |

| | |
|--|--|
| | ip.com); SMTP; iSCSI; UPnP (SSDP); DiffServ (QoS); LLDP; SOAP; CHAP; Digest authentication |
|--|--|

Mechanical

| | |
|------------------------|-----------------------|
| Bubble material | Polycarbonate |
| Color | White |
| Color in RAL | RAL 9003 Signal white |
| Material | Housing: Aluminum |
| Tilt range (°) | -3.50° – 89° |
| Mounting type | Surface-mounted |
| Pan range (°) | 0° – 360° continuous |
| Weight (kg) | 2.30 kg |
| Weight (lb) | 5.07 lb |
| Dimension (Ø x H) (mm) | 175 mm x 148 mm |
| Dimension (Ø x H) (in) | 6.9 in x 5.7 in |

Environmental

| | |
|---|-----------------|
| Operating temperature (°C) | -50 °C – 60 °C |
| Operating temperature (°F) | -58 °F – 140 °F |
| Storage temperature (°C) | -30 °C – 70 °C |
| Storage temperature (°F) | -22 °F – 158 °F |
| Operating relative humidity, non-condensing (%) | 5% – 93% |
| IP rating | IP66 |
| Impact protection (EN 50102) | IK10 |

Camera installation

| | |
|-------------|------------------------------|
| Positioning | Mounting height; Coordinates |
|-------------|------------------------------|

Ordering information

NDE-8513-R Fixed dome 6MP HDR 3.9-10mm PTRZ IP66

Fixed dome.

NDAA compliant

Order number **NDE-8513-R | F.01U.404.123**

Accessories

NDA-8000-PC Paintable cover, 4 pcs

Paintable cover (4 pieces) for FLEXIDOME IP 8000i.

Order number **NDA-8000-PC | F.01U.324.966**

NDA-8000-CBL Clear replacement bubble

Clear replacement bubble.

Order number **NDA-8000-CBL | F.01U.324.934**

NDA-8000-TBL Tinted Bubble

Tinted bubble for FLEXIDOME IP 8000i.

Order number **NDA-8000-TBL | F.01U.324.973**

NDA-8001-IC In-ceiling mount kit

In-ceiling mount kit for FLEXIDOME IP 8000i with microphone support

Order number **NDA-8001-IC | F.01U.398.407**

NDA-8001-PLEN Plenum-rated mount kit

Plenum-rated in-ceiling mount kit for

FLEXIDOME IP 8000i with microphone support

Order number **NDA-8001-PLEN | F.01U.398.393**

NDA-8000-SP In-ceiling mount support kit

Soft ceiling support for in-ceiling mount kit for FLEXIDOME IP 8000i.

Order number **NDA-8000-SP | F.01U.324.937**

NDA-8000-WP On-camera weather protector

On-camera weather protector for FLEXIDOME IP 8000i.

Order number **NDA-8000-WP | F.01U.324.929**

NDA-8000-PIP Pendant interface plate, indoor

Pendant interface plate for FLEXIDOME IP 8000i and FLEXIDOME IP panoramic 6000/7000 outdoor.

Order number **NDA-8000-PIP | F.01U.324.938**

NDA-8000-PIPW Pendant interface plate, outdoor

Pendant interface plate including weather protector for FLEXIDOME IP 8000i and FLEXIDOME IP panoramic 6000/7000 outdoor.

Order number **NDA-8000-PIPW | F.01U.324.967**

NDA-U-WMT Pendant wall mount

Universal wall mount for dome cameras, white

Order number **NDA-U-WMT | F.01U.324.939**

NDA-U-PMT Pendant pipe mount, 12" (31cm)

Universal pipe mount for dome cameras, 31 cm, white

Order number **NDA-U-PMT | F.01U.324.940**

NDA-U-PMTS Pendant pipe mount, 4" (11 cm)

Universal pendant pipe mount for dome cameras, 11 cm (4"), white

Order number **NDA-U-PMTS | F.01U.385.046**

NDA-U-PMTE Pendant pipe extension, 20" (50cm)

Extension for universal pipe mount, 50 cm, white

Order number **NDA-U-PMTE | F.01U.324.941**

NDA-U-PSMB Pendant wall/ceiling mount SMB

Surface mount box (SMB) for wall mount or pipe mount.

Order number **NDA-U-PSMB | F.01U.324.942**

NDA-U-PA0 Surveillance cabinet 24VAC

Surveillance cabinet, 24 VAC input, 24 VAC output, IP66

Order number **NDA-U-PA0 | F.01U.324.947**

NDA-U-PA1 Surveillance cabinet 120VAC

Surveillance cabinet, 100 - 120 VAC 50/60 Hz input,

24 VAC output, IP66

Order number **NDA-U-PA1 | F.01U.324.948**

NDA-U-PA2 Surveillance cabinet 230VAC

Surveillance cabinet, 230 VAC input, 24 VAC output, IP66
Order number **NDA-U-PA2 | F.01U.324.949**

NDA-U-PMAL Pole mount adapter large

Universal pole mount adapter, white; large
Order number **NDA-U-PMAL | F.01U.324.944**

NDA-U-PMAS Pole mount adapter small

Pole mount adapter small
Universal pole mount adapter, white; small.
Order number **NDA-U-PMAS | F.01U.324.943**

NDA-U-RMT Pendant parapet mount

Universal roof mount for dome cameras, white
Order number **NDA-U-RMT | F.01U.324.945**

NDA-U-WMTG Pendant wall mount, gang box

Universal wall mount, compatible with gang box
installation for fixed dome cameras only, white
Order number **NDA-U-WMTG | F.01U.358.358**

NDA-U-PMTG Pendant pipe mount, gang box

Universal pipe mount, compatible with gang box
installation for fixed dome cameras only, white
Order number **NDA-U-PMTG | F.01U.358.359**

VG4-SFPCKT Ethernet to SFP interface kit

Ethernet media converter video transmitter/data receiver
fiber optic kit for AUTODOME cameras, for MIC-IP-PSU
for MIC analog cameras and for the Surveillance cabinets
(NDA-U-PA0, NDA-U-PA1 and NDA-U-PA2).
Order number **VG4-SFPCKT | F.01U.142.529**

SFP-2 Fiber module, multimode, 1310nm, 2LC

SFP Fiber Optic Module, 2 km (1.2 miles), 2 LC
connectors.
Multi-mode
1310 nm
Order number **SFP-2 | F.01U.136.537**

SFP-3 Fiber module, single-mode, 1310nm, 2LC

SFP Fiber Optic Module, 20 km (12.4 miles), 2 LC
connectors.
Single-mode
1310 nm
Order number **SFP-3 | F.01U.136.538**

SFP-25 Fiber module, 1310/1550nm, 1SC

SFP Fiber Optic Module, 2 km (1.2 miles), 1 SC
connector
Multi-mode
1310/1550 nm
Order number **SFP-25 | F.01U.136.541**

SFP-26 Fiber module, 1550/1310nm, 1SC

SFP Fiber Optic Module, 2 km (1.2 miles), 1 SC
connector
Multi-mode
1550/1310 nm
Order number **SFP-26 | F.01U.136.542**

Represented by:

Europe, Middle East, Africa:
Bosch Security Systems B.V.
P.O. Box 80002
5600 JB Eindhoven, The Netherlands
Phone: + 31 40 2577 284
www.boschsecurity.com/xc/en/contact/
www.boschsecurity.com

Germany:
Bosch Sicherheitssysteme GmbH
Robert-Bosch-Ring 5
85630 Grasbrunn
Tel.: +49 (0)89 6290 0
Fax: +49 (0)89 6290 1020
de.securitysystems@bosch.com
www.boschsecurity.com

North America:
Bosch Security Systems, LLC
130 Perinton Parkway
Fairport, New York, 14450, USA
Phone: +1 800 289 0096
Fax: +1 585 223 9180
onlinehelp@us.bosch.com
www.boschsecurity.com

Asia-Pacific:
Robert Bosch (SEA) Pte Ltd, Security Systems
11 Bishan Street 21
Singapore 573943
Phone: +65 6571 2808
Fax: +65 6571 2699
www.boschsecurity.com/xc/en/contact/
www.boschsecurity.com