

EN

TECHNICAL
MANUAL

Software for printing nameplate labels Art. 1235A
and adhesive label sheets
Art. 1217-1217A-1218-1219-1220-3059-ET9300

 **Comelit**[®]
Passion. Technology. Design.

Warning

Intended use

This Comelit product was designed for use in the creation of audio and video communication systems in residential, commercial or industrial settings and in public buildings or buildings used by the public.

Installation

All activities connected to the installation of Comelit products must be carried out by qualified technical personnel, with careful observation of the indications provided in the Manuals / Instruction sheets supplied with those products.

Wires

Cut off the power supply before carrying out any maintenance procedures.

Use wires with a cross-section suited to the distances involved, observing the instructions provided in the system manual.

We advise against running the system wires through the same duct as the power cables (230V or higher).

Safe usage

To ensure Comelit products are used safely:

- carefully observe the indications provided in the Manuals / Instruction sheets
- make sure the system created using Comelit products has not been tampered with / damaged.

Maintenance

Comelit products do not require maintenance aside from routine cleaning, which should be carried out in accordance with the indications provided in the Manuals / Instruction sheets.

Any repair work must be carried out

- for the products themselves, exclusively by **Comelit Group S.p.A.**,
- for systems, by qualified technical personnel.

Disclaimer

Comelit Group S.p.A. does not assume any responsibility for

- any usage other than the intended use
- non-observance of the indications and warnings contained in this Manual / Instruction sheet.

Comelit Group S.p.A. nonetheless reserves the right to change the information provided in this Manual / Instruction sheet at any time and without prior notice.

Table of contents

Warning	2
Description.....	3
Software 1235A Rev. 1.1.1	3
Software installation	3
Software update	3
Using the software	3
Alternatively, you can use a Dymo-type labelling device	3
Fitting Art. 3061M, 3061S, 3061A nameplates.....	4
Fitting Extra entrance panels nameplates	4
Fitting Ikall external unit nameplates	5
Fitting Vandalcom external unit nameplates	6
Fitting 316 Analog external unit nameplates.....	7
Fitting Quadra (Art. 4893) external unit nameplates.....	8
Fitting Quadra (Art. 4893M) external unit nameplates	9

Description

Art. **1235A** is a dedicated software for the creation and printing of nameplate and information labels for **Ikall**, **Vandalcom**, **Quadra**, **316 Analog** and **Extra** entrance panels. Requires use of adhesive labels Art. **1217**, **1217A**, **1218**, **1219**, **1220**, **3059** or **ET9300**.

Each kit, containing 20 pre-cut adhesive polyester sheets, refers to a specific entrance panel:

- Art. 1217:** label sheets for **Quadra (Art. 4893)** entrance panels
- Art. 1217A:** label sheets for **Quadra (Art. 4893M)** entrance panels
- Art. 1218:** label sheets for **Ikall** entrance panels
- Art. 1219:** label sheets for **Vandalcom** entrance panels
- Art. 1220:** label sheets for **316 Analog** entrance panels
- Art. 3059:** label sheets for **Art. 3061M, 3061S, 3061A**
- Art. ET9300:** label sheets for **Extra** entrance panels

The labels can be customised by printing names using the software 1235A, available for download from the website pro.comelitgroup.com.

i For iKall external unit (old model) with label holder measuring 71x23.5 mm and 71x83.5 mm only, use sw 1235 Rev. 2.1.

Software 1235A Rev. 1.1.1

i Windows XP , Vista, Windows 7, Windows 8 or Windows 10 Operating Systems must be provided by: Microsoft .NET Framework 4.0 e Crystal Report (if there is an active Internet connection they will be downloaded automatically).

Software installation

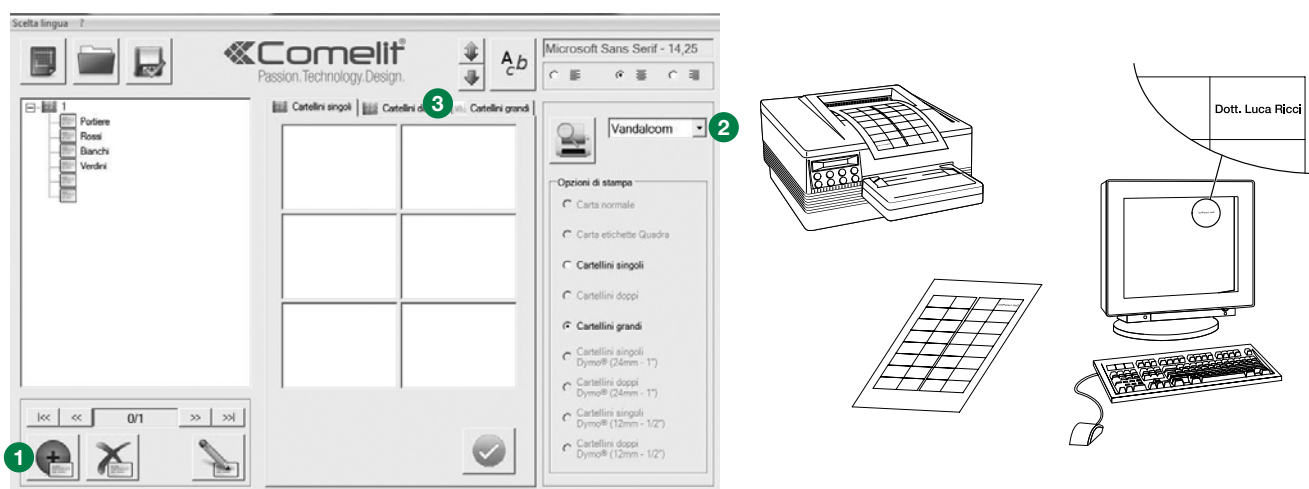
- ▶ Open the file Setup.exe

Software update

- ▶ Uninstall the previous version and open the file **Setup.exe**.

or: To install a new sw version, without replacing the previous version: Open the file “**Setup[...].msi**”

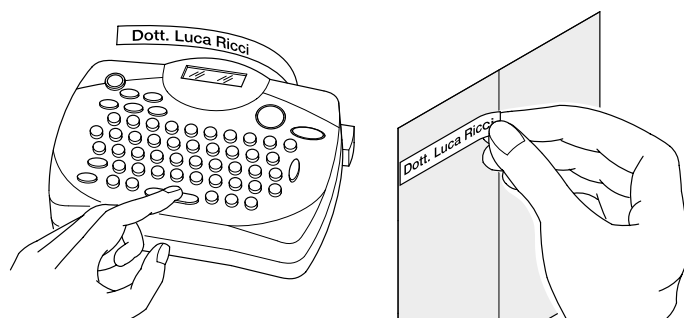
Using the software



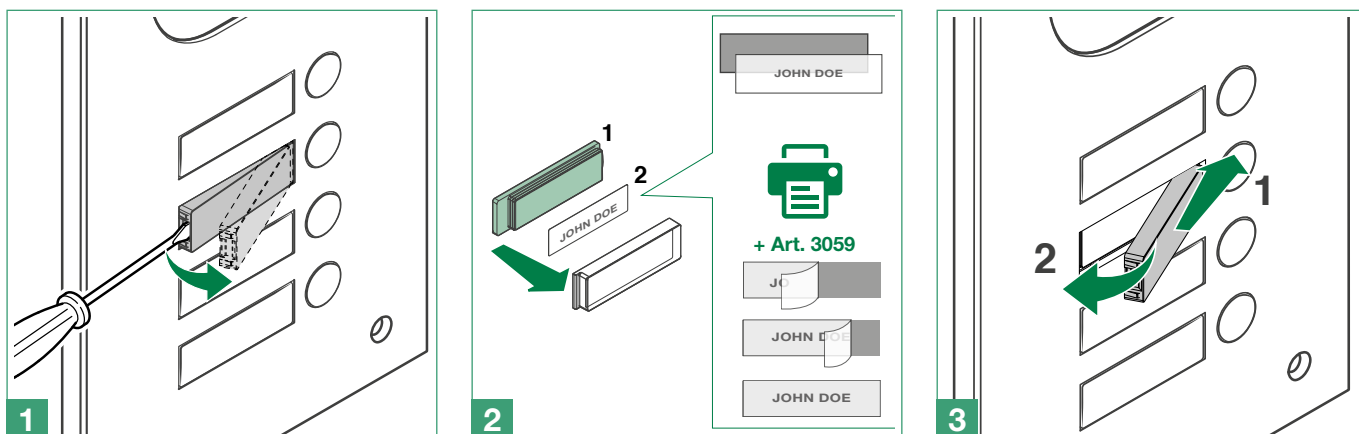
1. Add new nameplate
2. Choose entrance panel
3. Choose layout

Alternatively, you can use a Dymo-type labelling device

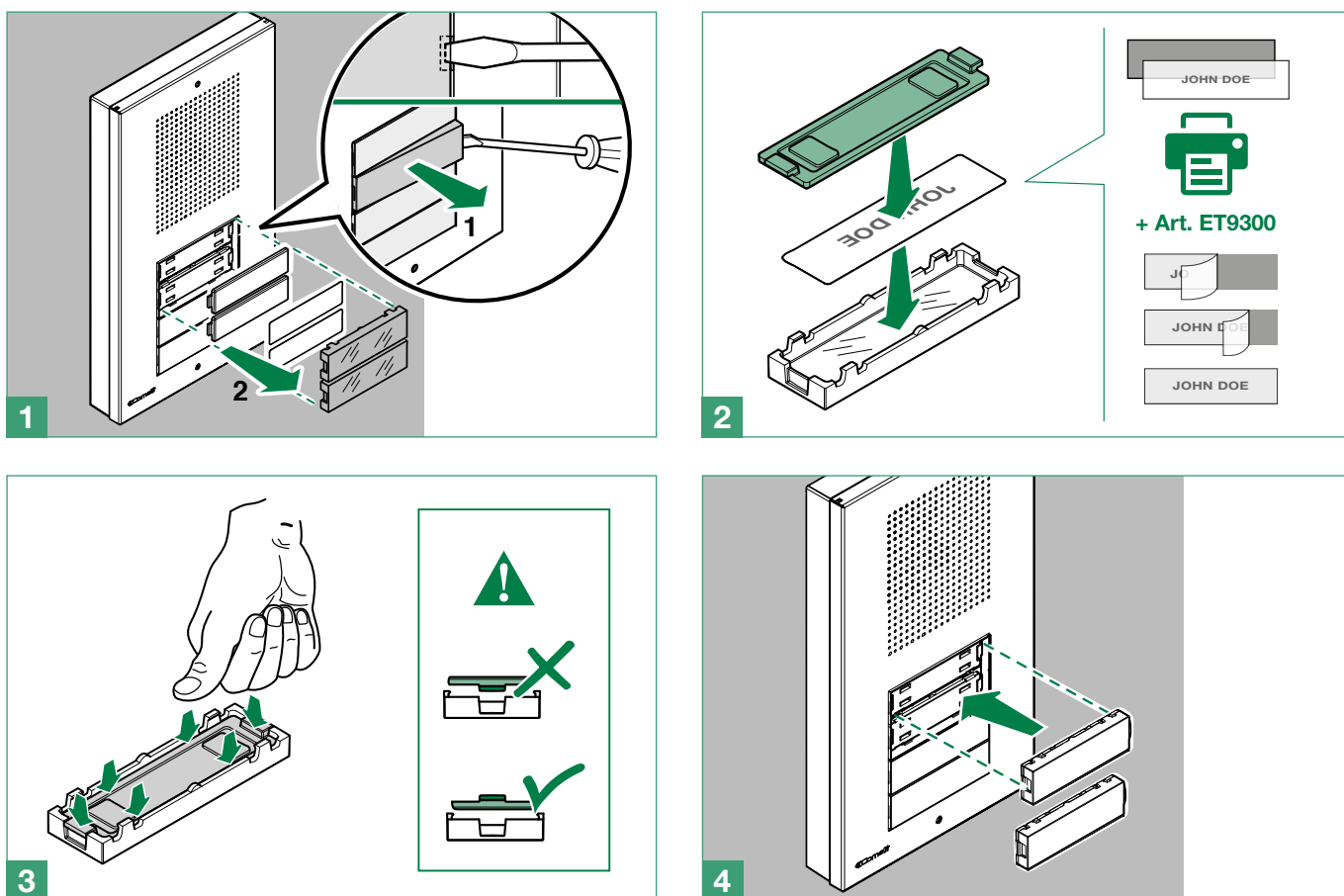
- ▶ Use a transparent adhesive labeling strip (e.g. Dymo).



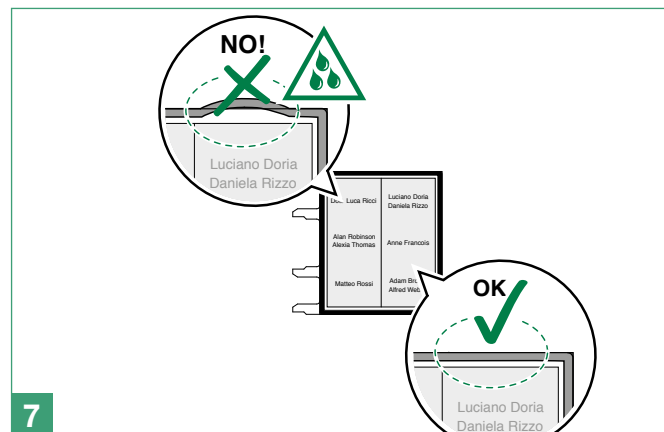
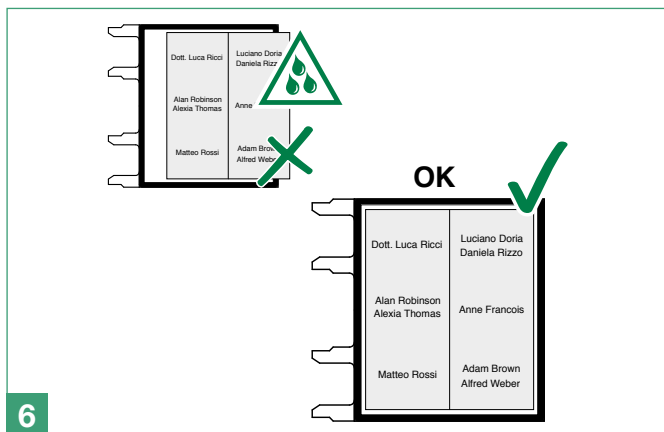
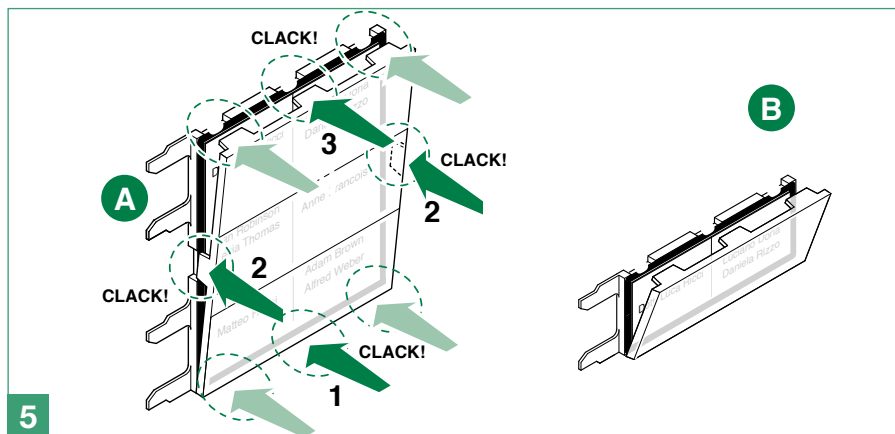
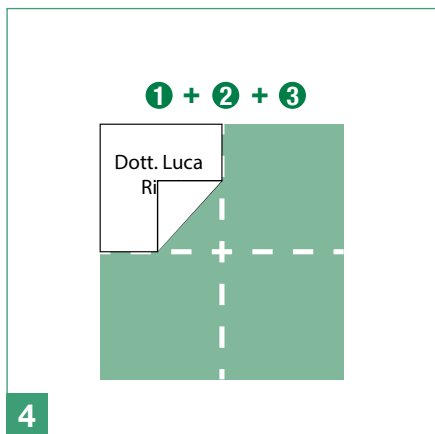
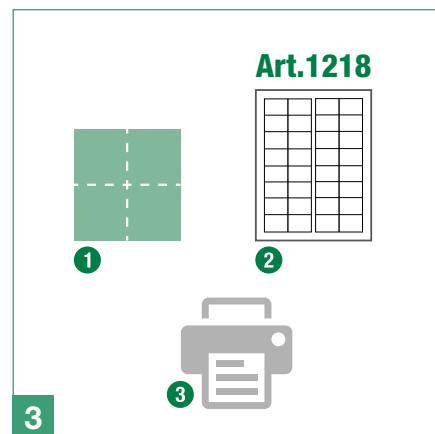
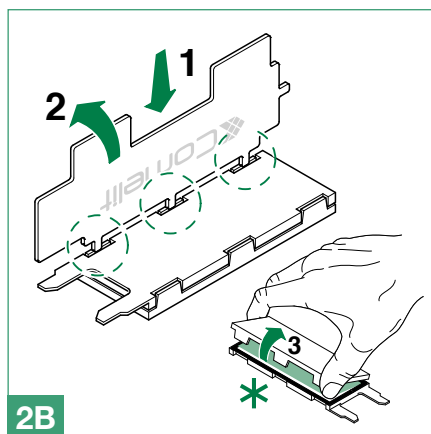
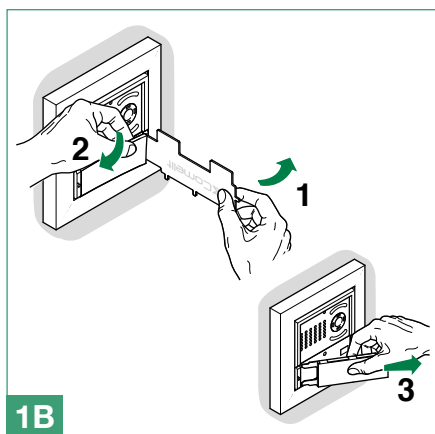
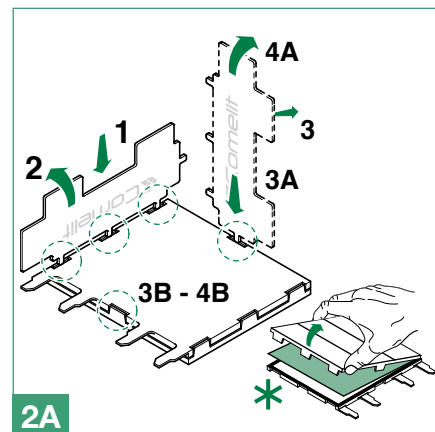
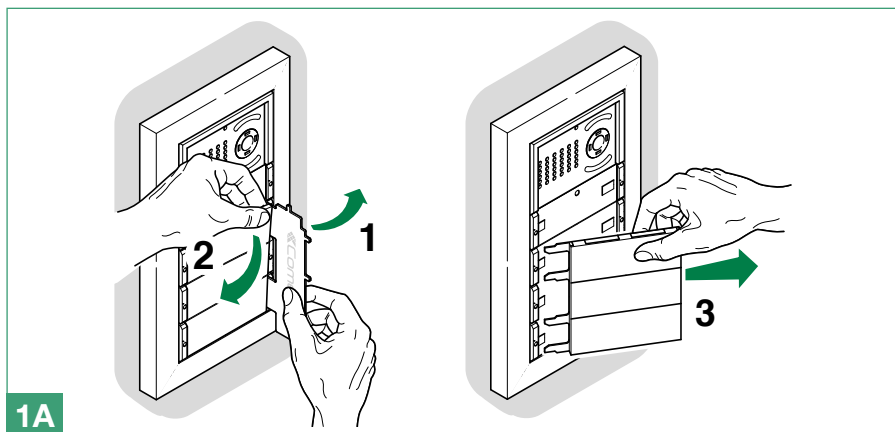
Fitting Art. 3061M, 3061S, 3061A nameplates



Fitting Extra entrance panels nameplates

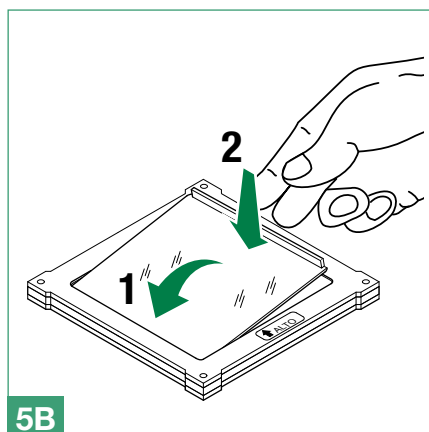
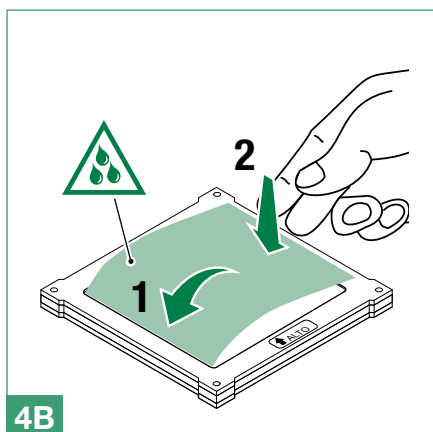
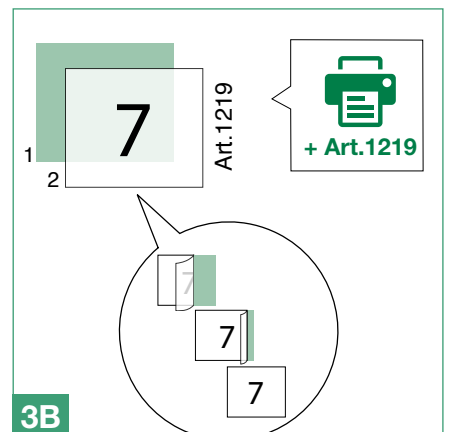
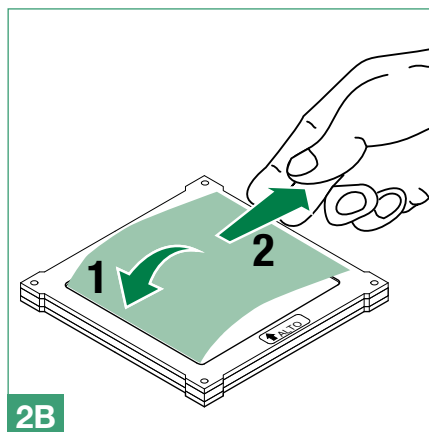
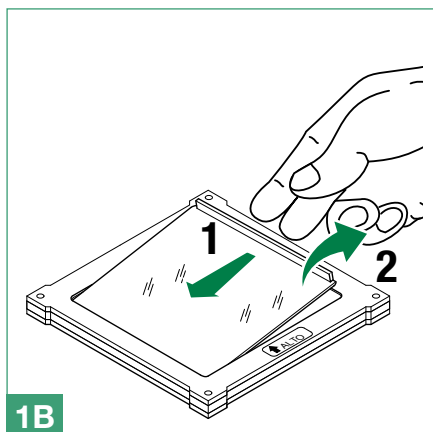
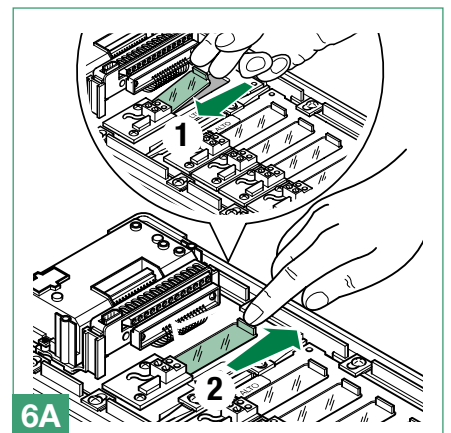
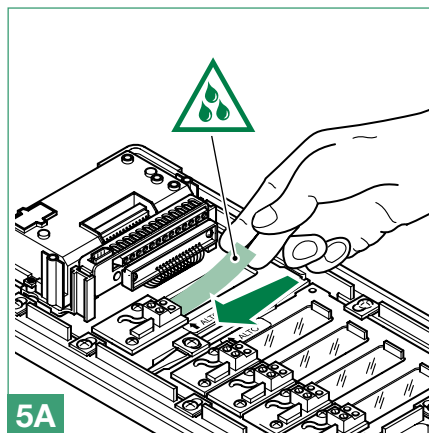
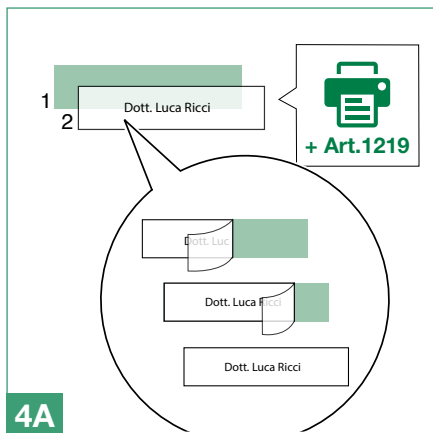
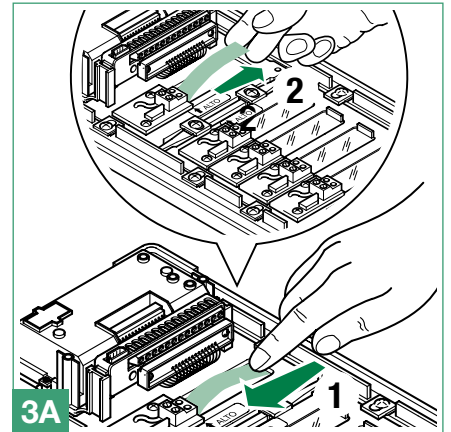
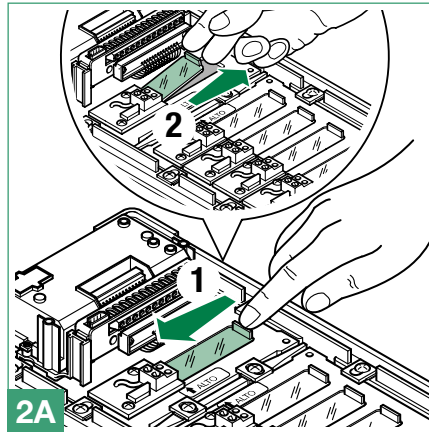
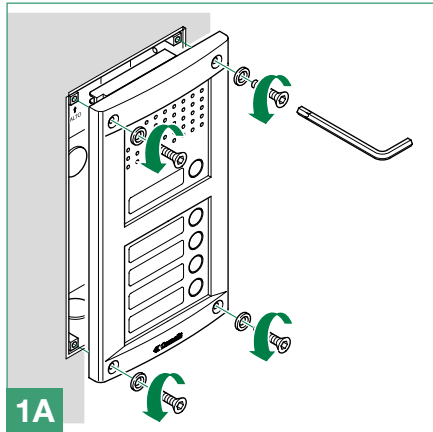


Fitting Ikall external unit nameplates



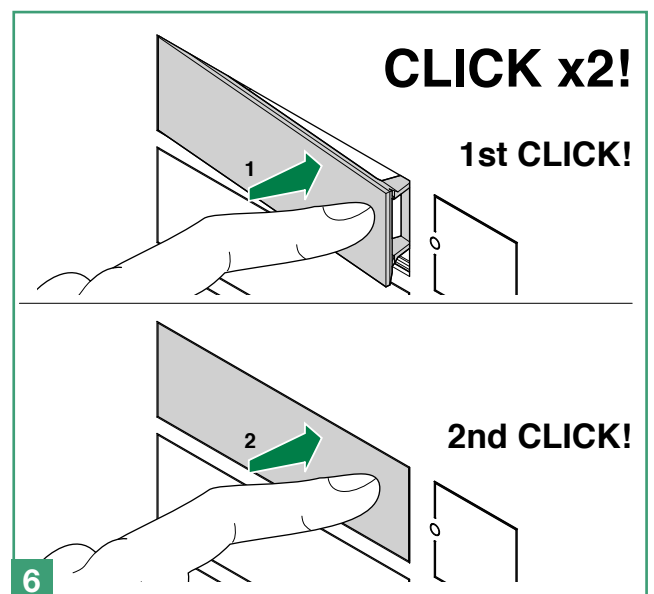
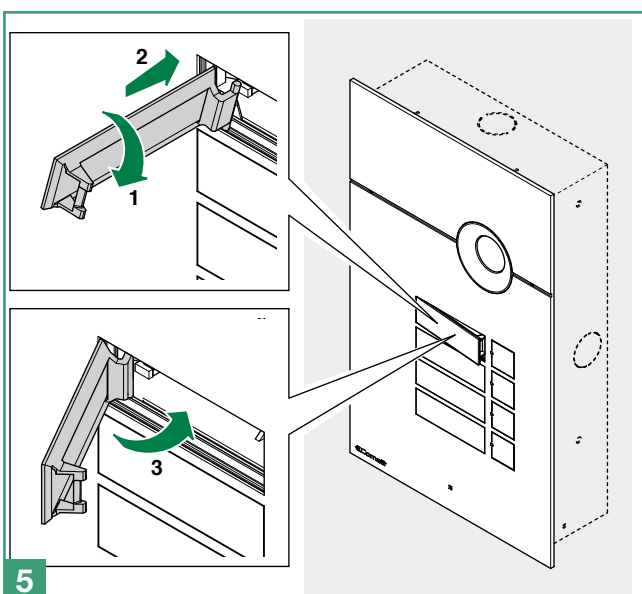
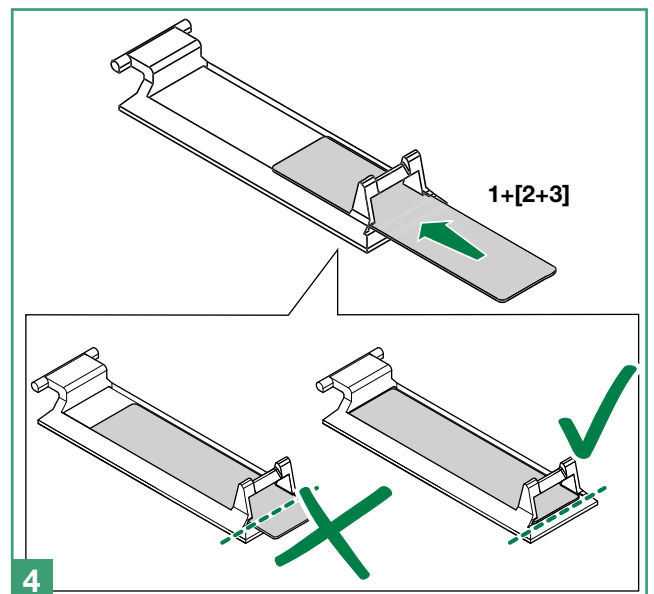
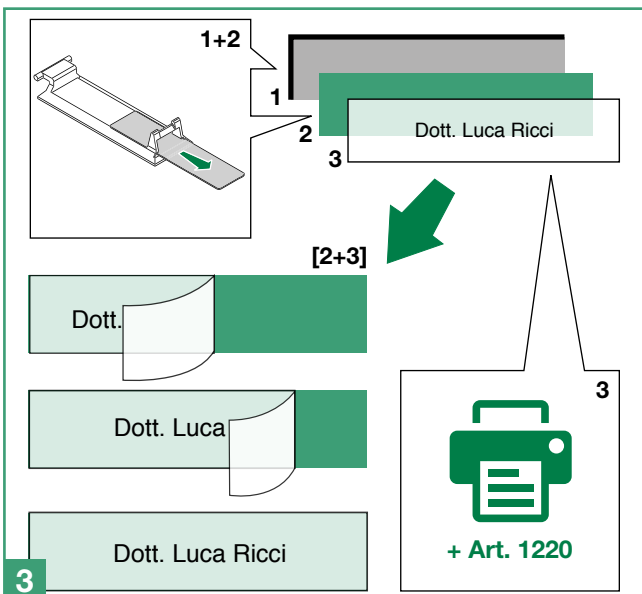
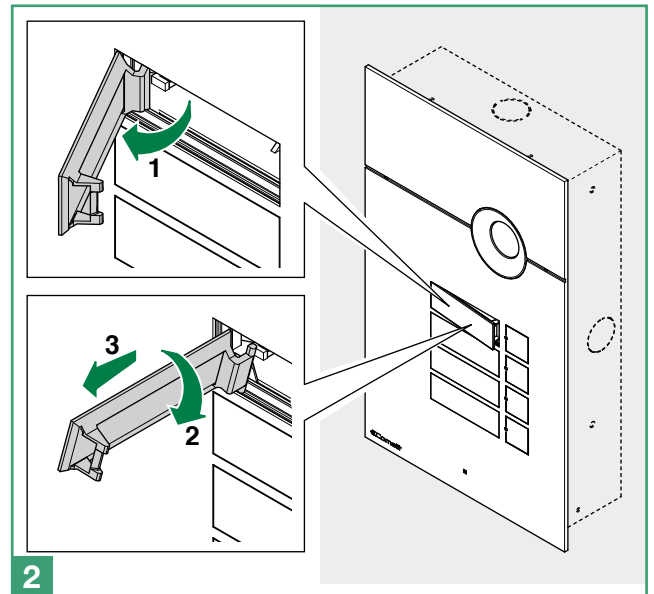
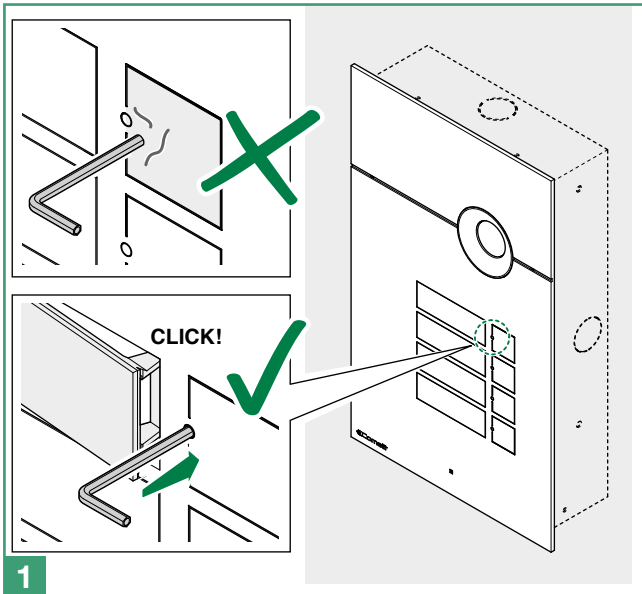
Centre the label to prevent infiltration.

Fitting Vandalcom external unit nameplates

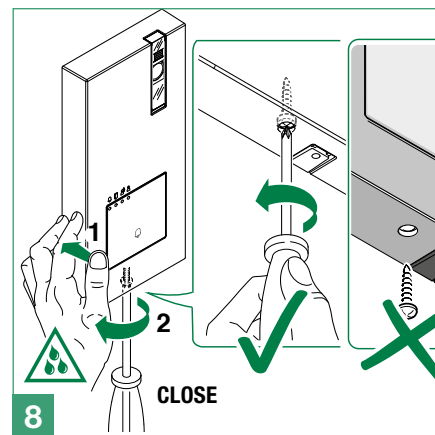
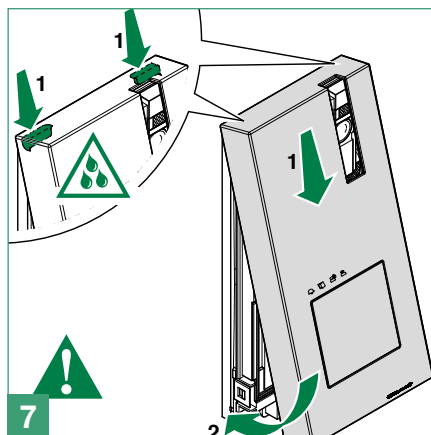
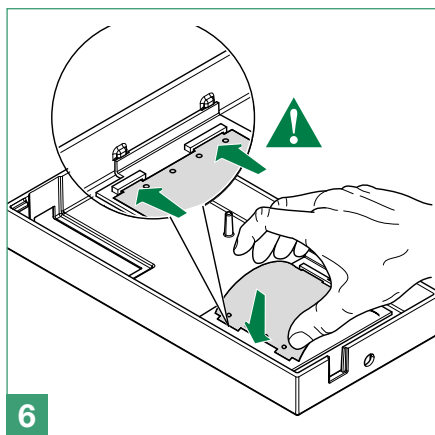
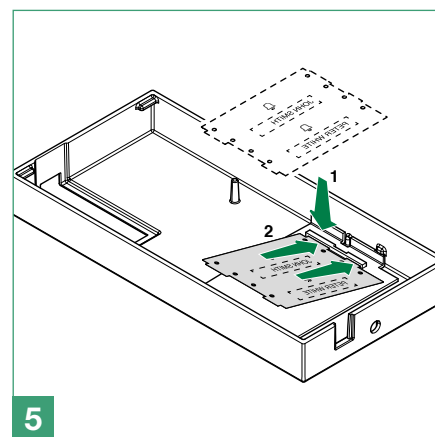
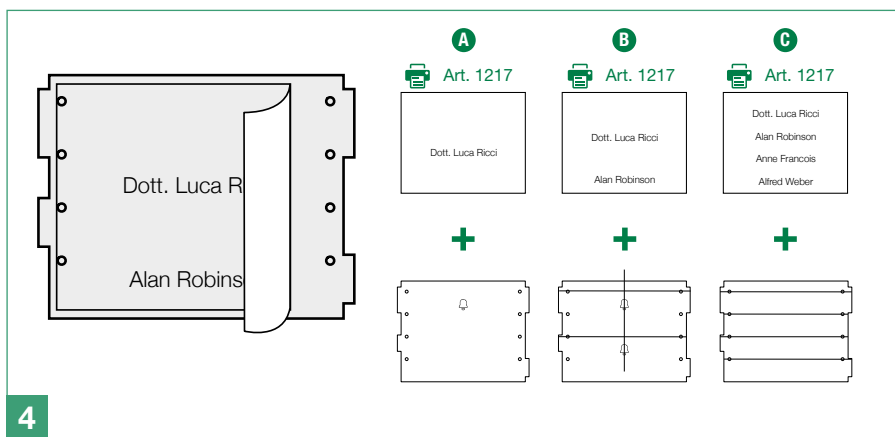
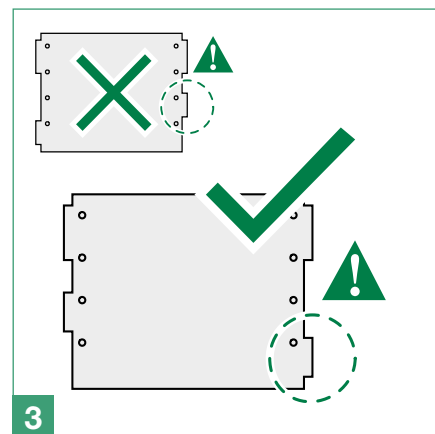
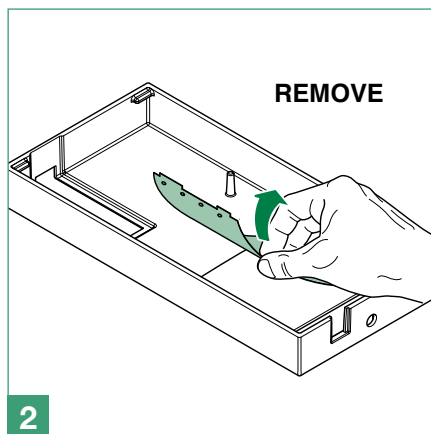
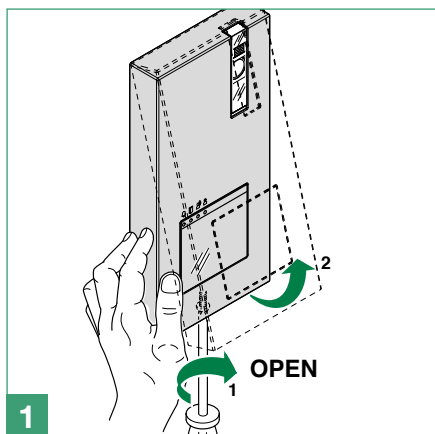


Centre the label to prevent infiltration.

Fitting 316 Analog external unit nameplates

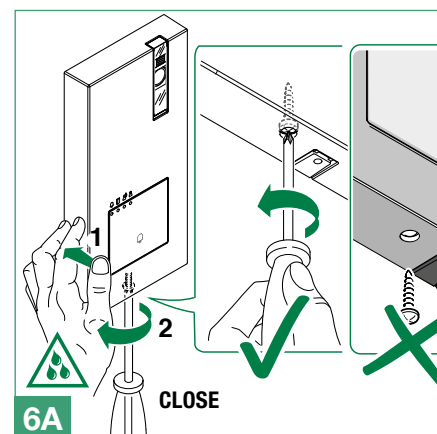
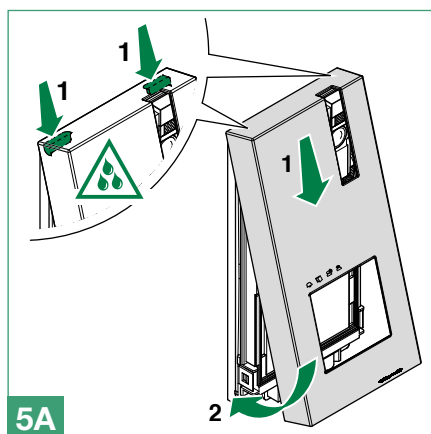
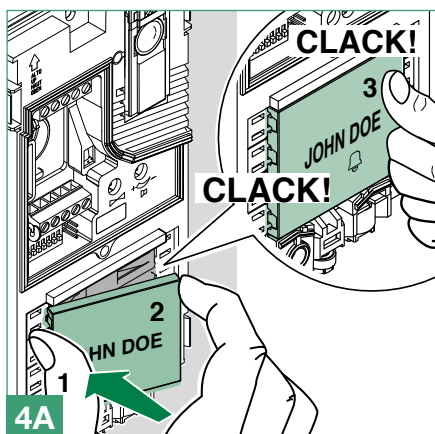
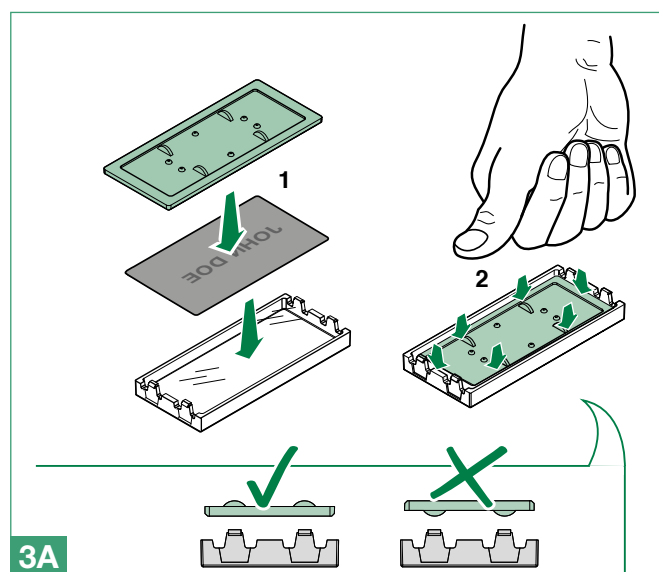
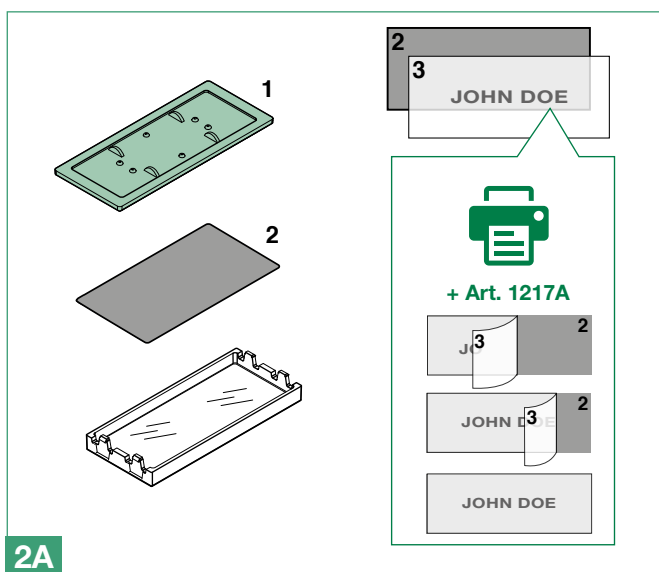
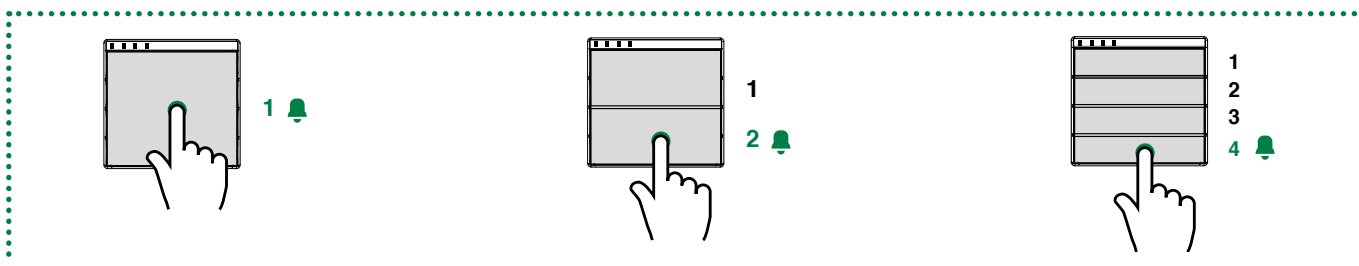
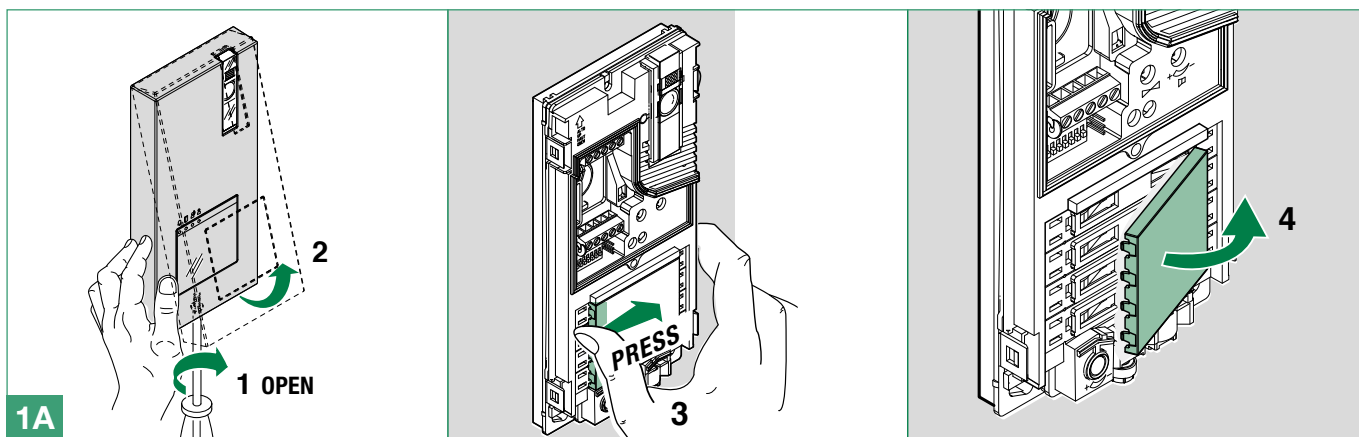


Fitting Quadra (Art. 4893) external unit nameplates

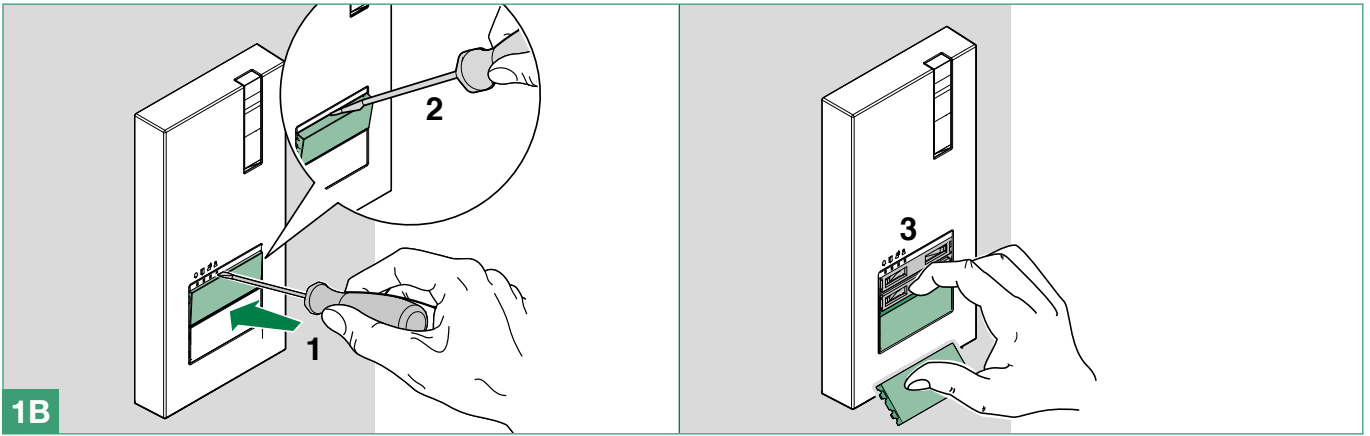


To ensure that the product remains water-tight, make sure that the fixing procedure is carried out correctly.

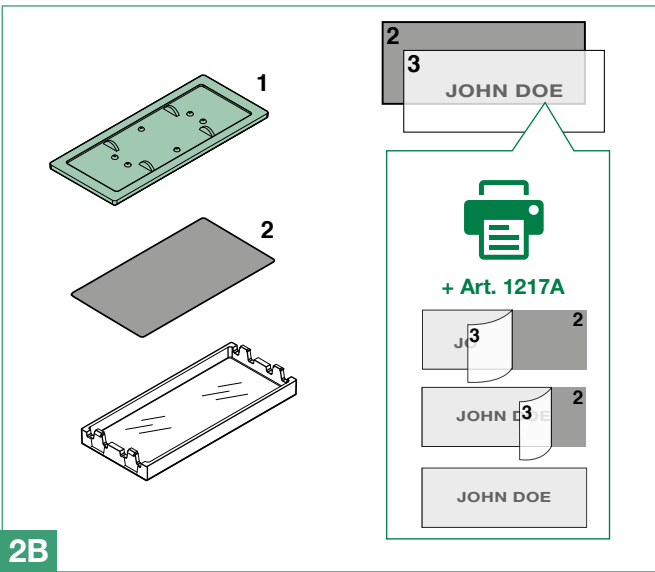
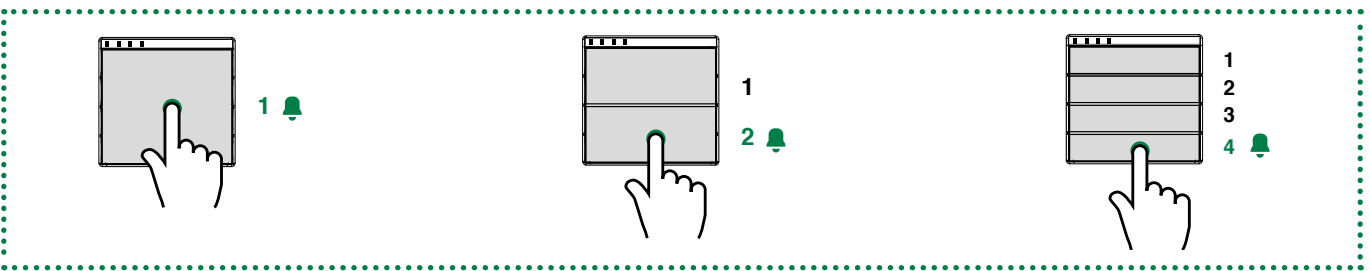
Fitting Quadra (Art. 4893M) external unit nameplates



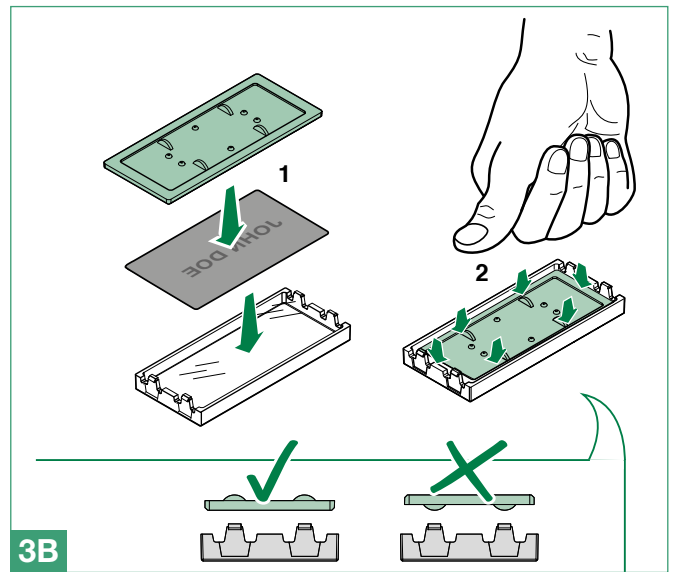
To ensure that the product remains water-tight, make sure that the fixing procedure is carried out correctly.



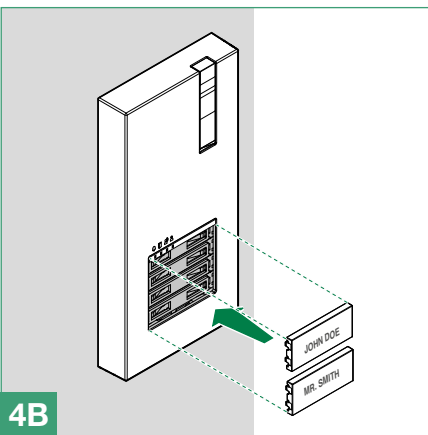
1B



2B



3B



4B

CERTIFIED MANAGEMENT SYSTEMS



www.comelitgroup.com

Via Don Arrigoni, 5 - 24020 Rovetta (BG) - Italy

