



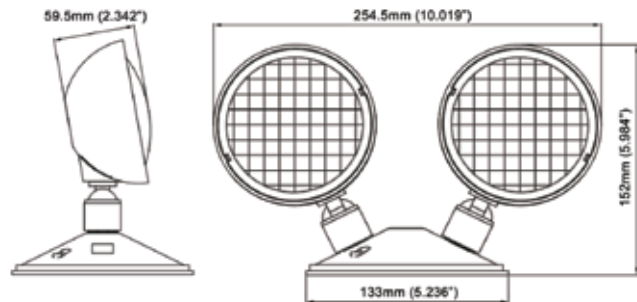
Features

Power (W)	2 x 3W
Lamp Type	SMD LED
Input Voltage	3.6V - 24VDC
IP Class	IP65
Lumens	2x 200

Description

- Suitable for use in wet locations
- High impact thermoplastic housing
- Clear polycarbonate lens for bright illumination
- UL-94V-0 flame rating, fire-retardant
- Wall and ceiling mounting
- Universal voltage LED remote compatible with any emergency lighting system (3.6-24 VDC)
- Super bright 2x3W SMD LED
- IP Class: IP65
- Operating temperature: 0 °C ~ 40 °C / 32 °F ~ 104 °F

Technical Drawing



Ordering Information

Model	Description
EL-7030BWP	Weather Proof Double LED Remote Head (Universal Voltage)



Canada
 25 Interchange Way Vaughan, ON L4K 5W3
 Telephone: (905) 660-4655 | Fax: (905) 660-4113

U.S.A.
 4575 Witmer Industrial Estates Niagara Falls, NY 14305
 Toll Free: (888) 660-4655 | Fax Toll Free: (888) 660-4113



THIS INFORMATION IS FOR MARKETING PURPOSES ONLY AND NOT INTENDED TO DESCRIBE THE PRODUCTS TECHNICALLY.

For complete and accurate technical information relating to performance, installation, testing and certification, refer to technical literature. This document contains intellectual property of Mircom. The information is subject to change by Mircom without notice. Mircom does not represent or warrant correctness or completeness. All rights reserved. All other trademarks and registered trademarks are properties of their respective owners.